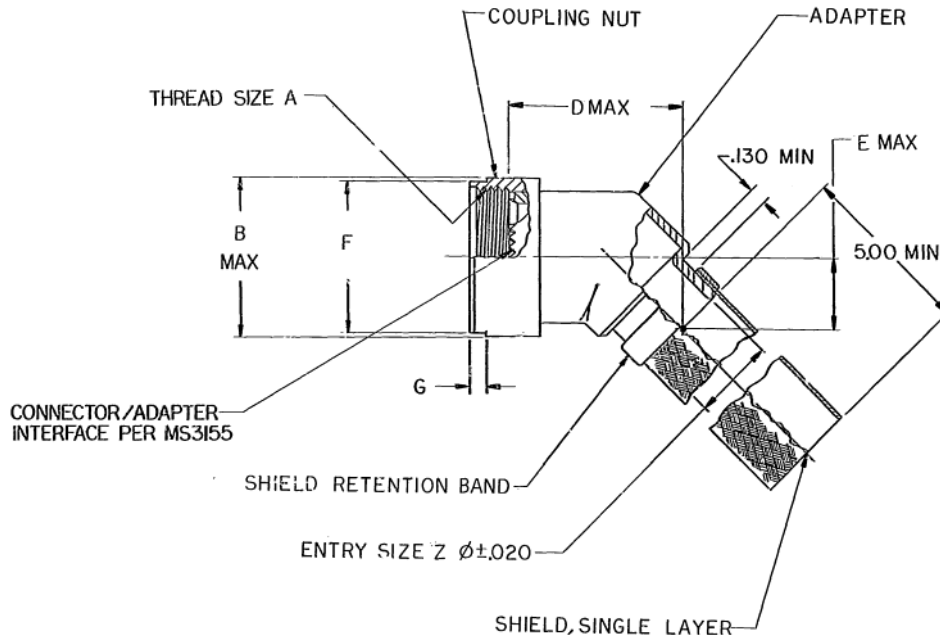




12273145 - SHIELD SOCK ADAPTER, 45 DEGREES
MIL-DTL-5015 CRIMP REAR RELEASE; MIL-DTL-26482 SERIES II;
MIL-DTL-83723 SERIES III



NOTES

1. Material - Aluminum Alloy 6061-T6
2. Braid is copper wire per QQ-B-575
 36 AWG for entry diameters to 1.000
 30 AWG for entry diameters larger than 1.000
3. Adapter to shield joint to withstand 125 lb pull test
4. D.C. Resistance between shield and adapter body .001 Ohms Max
5. The adapter when used with a heat shrinkable boot and appropriate connector shall show no evidence of leakage when submerged to a depth of six feet of water for five minutes.

| Part Number Designator | | | | |
|--|----|---|---|--|
| 12273145- | 08 | 1 | 1 | |
| Finish | | | | |
| 1 - Cadmium, Clear AMS-QQ-P-416, type II, with supplementary chromate treatment | | | | |
| 2 - Electroless nickel coating, ASTM B733 | | | | |
| Entry Size - See Table II | | | | |
| Shell Size - See Table I | | | | |
| Basic Part Number | | | | |

DISCLAIMER
 ALL INFORMATION IN THIS SPECIFICATION, INCLUDING ILLUSTRATIONS, IS BELIEVED TO BE RELIABLE. READERS, HOWEVER, SHOULD INDEPENDENTLY EVALUATE THE SUITABILITY OF EACH PRODUCT FOR THEIR APPLICATION. COMPAERO MAKES NO WARRANTIES AS TO THE ACCURACY OR COMPLETENESS OF THE INFORMATION, AND DISCLAIMS ANY LIABILITY REGARDING ITS USE. SPECIFICATIONS ARE SUBJECT TO CHANGE WITHOUT NOTICE. IN ADDITION, COMPAERO RESERVES THE RIGHT TO MAKE CHANGES—WITHOUT NOTIFICATION TO CUSTOMERS—TO PROCESSING OR MATERIALS THAT DO NOT AFFECT COMPLIANCE WITH ANY APPLICABLE SPECIFICATION.

12273145 - SHIELD SOCK ADAPTER, 45 DEGREES
MIL-DTL-5015 CRIMP REAR RELEASE; MIL-DTL-26482 SERIES II;
MIL-DTL-83723 SERIES III



TABLE I - All Dimensions in Inches

| SHELL SIZE | A Thread Class 2B | B MAX DIA | D MAX | E MAX | F Wrench Flats +/- .015 | G +/- .031 |
|-------------------|------------------------------|----------------------|------------------|------------------|--|-----------------------|
| 08 | 0.500 - 20 UNF | 0.781 | 1.210 | 0.564 | 0.625 | 0.313 |
| 10 | 0.625 - 24 UNEF | 0.906 | 1.232 | 0.573 | 0.750 | 0.313 |
| 12 | 0.750 - 20 UNEF | 1.031 | 1.277 | 0.592 | 0.875 | 0.313 |
| 14 | 0.875 - 20 UNEF | 1.156 | 1.321 | 0.610 | 1.000 | 0.313 |
| 16 | 1.000 - 20 UNEF | 1.281 | 1.365 | 0.628 | 1.125 | 0.313 |
| 18 | 1.0625-18 UNEF | 1.343 | 1.388 | 0.638 | 1.188 | 0.313 |
| 20 | 1.1875 - 18 UNEF | 1.469 | 1.432 | 0.656 | 1.312 | 0.313 |
| 22 | 1.3125 - 18 UNEF | 1.593 | 1.476 | 0.674 | 1.438 | 0.313 |
| 24 | 1.4375 - 18 UNEF | 1.719 | 1.521 | 0.693 | 1.562 | 0.313 |
| 28 | 1.750 - 18 UNEF | 2.031 | 1.635 | 0.739 | 1.875 | 0.313 |
| 32 | 2.000 - 18 UNEF | 2.281 | 1.722 | 0.775 | 2.125 | 0.313 |

TABLE II - ENTRY SIZE Z

| | |
|---|-------|
| 1 | 0.250 |
| 2 | 0.312 |
| 3 | 0.438 |
| 4 | 0.500 |
| 5 | 0.625 |
| 6 | 0.750 |
| 7 | 0.875 |
| 8 | 1.000 |
| 9 | 1.250 |
| 0 | 1.500 |

DISCLAIMER

ALL INFORMATION IN THIS SPECIFICATION, INCLUDING ILLUSTRATIONS, IS BELIEVED TO BE RELIABLE. READERS, HOWEVER, SHOULD INDEPENDENTLY EVALUATE THE SUITABILITY OF EACH PRODUCT FOR THEIR APPLICATION. COMPAERO MAKES NO WARRANTIES AS TO THE ACCURACY OR COMPLETENESS OF THE INFORMATION, AND DISCLAIMS ANY LIABILITY REGARDING ITS USE. SPECIFICATIONS ARE SUBJECT TO CHANGE WITHOUT NOTICE. IN ADDITION, COMPAERO RESERVES THE RIGHT TO MAKE CHANGES—WITHOUT NOTIFICATION TO CUSTOMERS—TO PROCESSING OR MATERIALS THAT DO NOT AFFECT COMPLIANCE WITH ANY APPLICABLE SPECIFICATION.