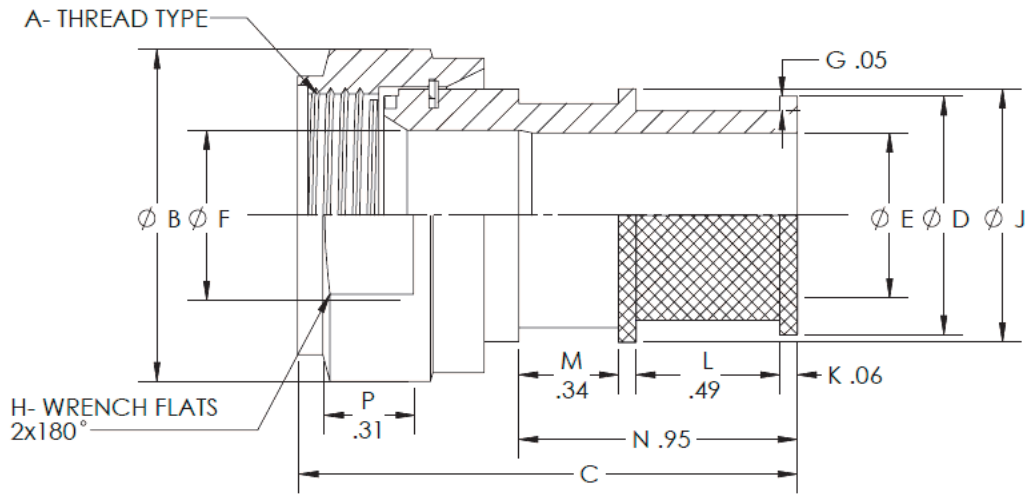


HT7002 - STRAIGHT ADAPTER, WRENCH FLATS (12347631)

MIL-DTL-5015 CRIMP; MIL-DTL-26482 SERIES II;
MIL-DTL-83723 SERIES III



HT7 0 02 - 10 - 6 - 8

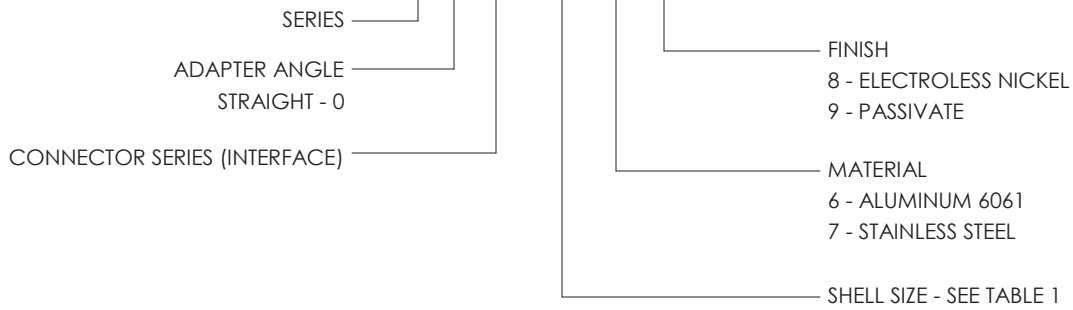


TABLE 1 - All Dimensions in Inches

Shell Size	A Thread Type	B Max	C Ref	D Dia Max	E Dia Max	F Dia Max	H +.003 -.015	J Dia Max
08	.500-20 UNF	0.78	1.70	0.530	0.280	0.280	0.620	0.560
10	.625-24 UNEF	0.91	1.70	0.610	0.370	0.370	0.750	0.640
12	.750-20 UNEF	1.03	1.70	0.780	0.520	0.520	0.870	0.820
14	.875-20 UNEF	1.16	1.70	0.840	0.580	0.580	1.00	0.890
16	1.000-20 UNEF	1.28	1.70	0.960	0.710	0.710	1.12	1.02
18	1.0625-18 UNEF	1.34	1.70	1.04	0.790	0.790	1.19	1.08
20	1.1875-18 UNEF	1.47	1.70	1.22	0.910	0.910	1.31	1.27
22	1.3125-18 UNEF	1.59	1.70	1.35	1.04	1.04	1.44	1.39
24	1.4375-18 UNEF	1.72	1.70	1.48	1.17	1.17	1.56	1.52

HellermannTyton

DISCLAIMER

ALL INFORMATION IN THIS SPECIFICATION, INCLUDING ILLUSTRATIONS, IS BELIEVED TO BE RELIABLE. READERS, HOWEVER, SHOULD INDEPENDENTLY EVALUATE THE SUITABILITY OF EACH PRODUCT FOR THEIR APPLICATION. HELLERMANN TYTON MAKES NO WARRANTIES AS TO THE ACCURACY OR COMPLETENESS OF THE INFORMATION, AND DISCLAIMS ANY LIABILITY REGARDING ITS USE. SPECIFICATIONS ARE SUBJECT TO CHANGE WITHOUT NOTICE. IN ADDITION, HELLERMANN TYTON RESERVES THE RIGHT TO MAKE CHANGES—WITHOUT NOTIFICATION TO CUSTOMERS—TO PROCESSING OR MATERIALS THAT DO NOT AFFECT COMPLIANCE WITH ANY APPLICABLE SPECIFICATION.

Cage Code K0720

SECTION A - INTERFACE & MATERIALS

TABLE 1 - CONNECTOR INTERFACE SPECIFICATION	
Order Code	Connector Class
A / A1*	MIL-DTL-5015 Crimp (MS3400-MS3406; MS3450-MS3459) MIL-DTL-26482 Series II (MS3470-MS3476) MIL-DTL-83723 Series I & III
B	MIL-DTL-5015 Solder (MS3100-MS3106) Consult Factory for Ordering Details
C / H1*	MIL-DTL-22992 Left Hand Thread
D / E1*	MIL-DTL-26482 Series I (MS3110-MS3116; MS3120-MS3126)
E / D1*	MIL-DTL-26500
F / F2*	MIL-DTL-38999 Series I & II
G	MIL-DTL-28840
H / F5*	MIL-DTL-38999 Series III & IV
J / G1*	MIL-DTL-81511 Series 1, 2, 3 & 4
K / P1*	MIL-DTL-83723 Series II
Q	ITT VEAM Reverse Bayonet

* USED FOR 06xx024 SERIES ONLY

TABLE 2 - MATERIAL CODES	
Order Code	Material
1	Aluminum Alloy 6061
2	Nickel, Aluminum, Bronze
3	Brass
4	Stainless Steel (300 Series)
6	Aluminum (Reserved for some TACOM Numbers)
7	Stainless Steel (Reserved for some TACOM Numbers)

TABLE 3 - RECOMMENDED TORQUE VALUES	
SHELL SIZE	SUGGESTED TORQUE (IN-LB)
8, 9	35-40
10, 11	45-50
12, 13	55-60
14, 15	65-70
16, 17	75-80
18, 19	85-90
20, 21	95-100
22, 23	105-110
24, 25	115-120
28	125-130
32	145-150
36	170-175
40	185-190



DISCLAIMER

ALL INFORMATION IN THIS SPECIFICATION, INCLUDING ILLUSTRATIONS, IS BELIEVED TO BE RELIABLE. READERS, HOWEVER, SHOULD INDEPENDENTLY EVALUATE THE SUITABILITY OF EACH PRODUCT FOR THEIR APPLICATION. HELLERMANN TYTON MAKES NO WARRANTIES AS TO THE ACCURACY OR COMPLETENESS OF THE INFORMATION, AND DISCLAIMS ANY LIABILITY REGARDING ITS USE. SPECIFICATIONS ARE SUBJECT TO CHANGE WITHOUT NOTICE. IN ADDITION, HELLERMANN TYTON RESERVES THE RIGHT TO MAKE CHANGES—WITHOUT NOTIFICATION TO CUSTOMERS—TO PROCESSING OR MATERIALS THAT DO NOT AFFECT COMPLIANCE WITH ANY APPLICABLE SPECIFICATION.

Cage Code K0720

SECTION A - INTERFACE & MATERIALS

TABLE 4 - CONNECTOR INTERFACE TABLE

A	D	E	F	G	H	A THREAD	B REF	C REF
	08	08	08			7/16 - 28 UNEF	0.650	0.269
					09 (A)	M12 X 1 - 6H	0.770	0.270
08						1/2 - 20 UNF	0.650	0.270
03	10	10	10			9/16 - 24 UNEF	0.770	0.520
					11 (B)	M15 X 1 - 6H	0.820	0.410
10						5/8 - 24 UNEF	0.770	0.375
	12		12			11/16 - 24 UNEF	0.890	0.645
					13 (C)	M18 X 1 - 6H	0.940	0.520
12		12		11 (A)		3/4 - 20 UNEF	0.940	0.511
	14	14	14			13/16 - 20 UNEF	1.020	0.730
					15 (D)	M22 X 1 - 6H	1.070	0.650
14				13 (B)		7/8 - 20 UNEF	1.020	0.585
	16	16	16			15/16 - 20 UNEF	1.150	0.855
					17 (E)	M25 X 1 - 6H	1.210	0.780
16				15 (C)		1 - 20 UNEF	1.210	0.710
18	18	18	18			1 1/16 - 18 UNEF	1.230	0.789
					19 (F)	M28 X 1 - 6H	1.360	0.880
					17 (D)	1 1/8 - 18 UNEF	1.360	0.810
20	20	20	20			1 3/16 - 18 UNEF	1.360	0.914
					21 (G)	M31 X 1 - 6H	1.480	1.010
					19 (E)	1 1/4 - 18 UNEF	1.530	0.946
22	22	22	22			1 5/16 - 18 UNEF	1.480	1.039
					23 (H)	M34 X 1 - 6H	1.600	1.150
24	24	24	24	23 (F)		1 7/16 - 18 UNEF	1.730	1.154
					25 (J)	M37 X 1 - 6H	1.700	1.260
61						1 1/2 - 18 UNEF	1.670	1.230
					25 (G)	1 9/16 - UNEF	1.820	1.222
28						1 3/4 - 18 UNS	1.970	1.389
					29 (H)	1 7/8 - 16 UN	2.190	1.422
32						2 - 18 UNS	2.220	1.635
					33 (J)	2 1/16 - 16 UNS	2.440	1.672
36						2 1/4 - 16 UN	2.470	1.850
40						2 1/2 - 16 UN	2.720	2.065



DISCLAIMER

ALL INFORMATION IN THIS SPECIFICATION, INCLUDING ILLUSTRATIONS, IS BELIEVED TO BE RELIABLE. READERS, HOWEVER, SHOULD INDEPENDENTLY EVALUATE THE SUITABILITY OF EACH PRODUCT FOR THEIR APPLICATION. HELLERMANN TYTON MAKES NO WARRANTIES AS TO THE ACCURACY OR COMPLETENESS OF THE INFORMATION, AND DISCLAIMS ANY LIABILITY REGARDING ITS USE. SPECIFICATIONS ARE SUBJECT TO CHANGE WITHOUT NOTICE. IN ADDITION, HELLERMANN TYTON RESERVES THE RIGHT TO MAKE CHANGES—WITHOUT NOTIFICATION TO CUSTOMERS—TO PROCESSING OR MATERIALS THAT DO NOT AFFECT COMPLIANCE WITH ANY APPLICABLE SPECIFICATION.

Cage Code K0720

SECTION B - FINISH CODE TABLE

TABLE 1 - Common Material and Finish Codes

Order Code	AS85049 Ref.	Material	Finish
C / N*	N	Aluminum	Electroless nickel - In accordance with AMS-C-26074 or AMS2404. -65 to +200 °C
H / CC*	N/A	Aluminum	Clear Cadmium - SAE-AMS-QQ-P-416 Type II Class 2 over electroless nickel, 1000 Hour Salt Spray, Conductive -65 to +175°C
B / CN*	W	Aluminum	Cadmium, Olive drab over suitable underplate, 1000 hour salt spray -65 to +175 °C
P	X	Aluminum	Nickel fluorocarbon polymer. Nickel with fluorocarbon polymer additives over a suitable underplate to withstand
D	Y	Aluminum	Pure dense electrodeposited aluminum in accordance with MIL-DTL-83488, Type II, to withstand 500 hours of salt
T	Z	Aluminum	Zinc nickel, Black, in accordance with ASTM B841 over suitable underplate to withstand 1000 hours of salt spray testing.
ZB	N/A	Aluminum	Zinc-Cobalt, Olive Drab, ASTM B 840 Grade 6 Type D over electroless nickel, 350 Hour Salt Spray, Conductive -65 to +175°C
ZT	N/A	Aluminum	Zinc-Cobalt, Black, ASTM B 840 Grade 6 Type D over electroless nickel 350 Hour Salt Spray, Conductive -65 to +175°C
KB	B	Stainless Steel	Black cadmium - In accordance with AMS-QQ-P-416, Type II, Class 3. -65 to +175 °C
J	S	Stainless Steel	Passivate - In accordance with AMS-QQ-P-35, AMS 2700, or ASTM A 967. -65 to + 200 °C
8	N/A	Aluminum	Electroless Nickel (Reserved for some TACOM Numbers)
9	N/A	Stainless Steel	Passivate (Reserved for some TACOM Numbers)

*** USED FOR 06xx024 SERIES ONLY**



DISCLAIMER

ALL INFORMATION IN THIS SPECIFICATION, INCLUDING ILLUSTRATIONS, IS BELIEVED TO BE RELIABLE. READERS, HOWEVER, SHOULD INDEPENDENTLY EVALUATE THE SUITABILITY OF EACH PRODUCT FOR THEIR APPLICATION. HELLERMANN TYTON MAKES NO WARRANTIES AS TO THE ACCURACY OR COMPLETENESS OF THE INFORMATION, AND DISCLAIMS ANY LIABILITY REGARDING ITS USE. SPECIFICATIONS ARE SUBJECT TO CHANGE WITHOUT NOTICE. IN ADDITION, HELLERMANN TYTON RESERVES THE RIGHT TO MAKE CHANGES—WITHOUT NOTIFICATION TO CUSTOMERS—TO PROCESSING OR MATERIALS THAT DO NOT AFFECT COMPLIANCE WITH ANY APPLICABLE SPECIFICATION.

Cage Code K0720

SECTION C - CABLE ENTRY TABLE

TABLE 1 - CABLE ENTRY				
ENTRY CODE	CABLE ENTRY I.D. REF	EMI TERMINATION O.D. REF	LIP O.D. REF	ZETALOK™ SIZE
02	0.125	0.221	0.372	HE050
03	0.188	0.284	0.438	HE050
04	0.250	0.346	0.500	HE100
05	0.312	0.408	0.562	HE100
06	0.375	0.471	0.625	HE100
07	0.438	0.534	0.688	HE100
08	0.500	0.596	0.750	HE200
09	0.562	0.658	0.812	HE200
10	0.625	0.721	0.875	HE200
11	0.688	0.784	0.938	HE200
12	0.750	0.846	1.000	HE300
13	0.812	0.908	1.062	HE300
14	0.875	0.971	1.125	HE300
15	0.938	1.034	1.188	HE300
16	1.000	1.096	1.250	HE300
17	1.062	1.158	1.312	HE300
18	1.125	1.221	1.375	HE300
19	1.188	1.284	1.448	HE300
20	1.250	1.346	1.500	HE400
21	1.314	1.410	1.574	HE400
22	1.375	1.471	1.625	HE400
23	1.440	1.536	1.700	HE400
24	1.500	1.596	1.750	HE400
26	1.625	1.721	1.872	HE400

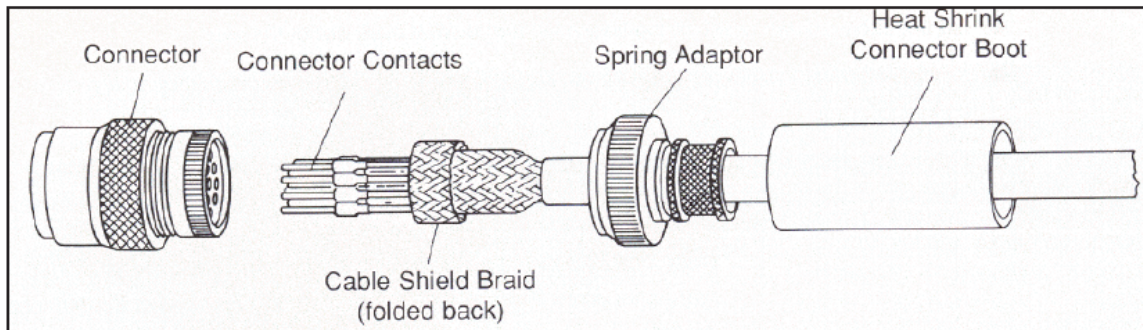


DISCLAIMER

ALL INFORMATION IN THIS SPECIFICATION, INCLUDING ILLUSTRATIONS, IS BELIEVED TO BE RELIABLE. READERS, HOWEVER, SHOULD INDEPENDENTLY EVALUATE THE SUITABILITY OF EACH PRODUCT FOR THEIR APPLICATION. HELLERMANN TYTON MAKES NO WARRANTIES AS TO THE ACCURACY OR COMPLETENESS OF THE INFORMATION, AND DISCLAIMS ANY LIABILITY REGARDING ITS USE. SPECIFICATIONS ARE SUBJECT TO CHANGE WITHOUT NOTICE. IN ADDITION, HELLERMANN TYTON RESERVES THE RIGHT TO MAKE CHANGES—WITHOUT NOTIFICATION TO CUSTOMERS—TO PROCESSING OR MATERIALS THAT DO NOT AFFECT COMPLIANCE WITH ANY APPLICABLE SPECIFICATION.

Cage Code K0720

EMI/RFI CABLE PREPARATION FOR INSTALLATION OF AN ADAPTER



1. Prepare the cable making sure that a sufficient length of shield is available, so that it fits against the front shoulder of the lip groove.
2. Before insertion of connector contacts, slide the heat-shrinkable connector boot onto the cable followed by the Adaptor.
3. Position the heat shrinkable boot, Adaptor, and shield braid out of the way and insert the connector contacts. Depending upon the shielding braid size it can either be folded back onto itself or bunched up concertina style out of the way for easy access to the cable conductors.
4. Screw the Adaptor onto the connector and tighten to the torque value specified by the connector manufacturer. It is recommended that the connector threads are lubricated with a suitable compound if a liquid thread lock is not used. The adaptor should be hand tightened to ensure proper thread alignment and then tightened with a strap wrench and torque meter to the specified torque.
5. Bring the cable shield braid up onto the adaptor body so that it fits against the front shoulder of the lip groove Alternatively extend the braid past the lip groove.
6. Open up the constant force spring and wrap it around the cable braid section that is positioned over the constant force spring slot area of the adaptor. This is most easily accomplished by lifting up the end of the spring and trapping the braid covered adaptor between the spring coil and raised end. The spring will now stay in place and can be installed by simply rolling the spring coil around the braid covered adaptor. Refer to appropriate code of practice for procedure to install heat shrink shape.

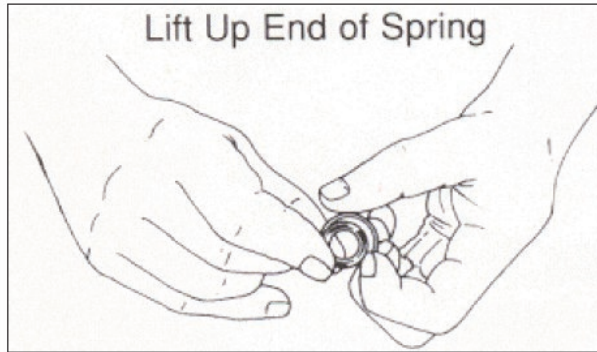
HellermannTyton

DISCLAIMER

ALL INFORMATION IN THIS SPECIFICATION, INCLUDING ILLUSTRATIONS, IS BELIEVED TO BE RELIABLE. READERS, HOWEVER, SHOULD INDEPENDENTLY EVALUATE THE SUITABILITY OF EACH PRODUCT FOR THEIR APPLICATION. HELLERMANN TYTON MAKES NO WARRANTIES AS TO THE ACCURACY OR COMPLETENESS OF THE INFORMATION, AND DISCLAIMS ANY LIABILITY REGARDING ITS USE. SPECIFICATIONS ARE SUBJECT TO CHANGE WITHOUT NOTICE. IN ADDITION, HELLERMANN TYTON RESERVES THE RIGHT TO MAKE CHANGES—WITHOUT NOTIFICATION TO CUSTOMERS—TO PROCESSING OR MATERIALS THAT DO NOT AFFECT COMPLIANCE WITH ANY APPLICABLE SPECIFICATION.

Cage Code K0720

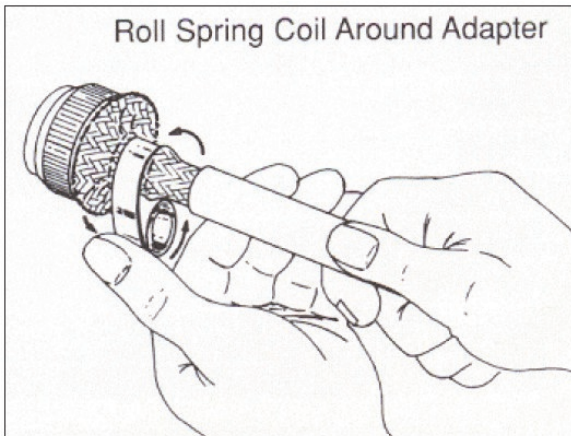
ZETALOK™ INSTALLATION INSTRUCTIONS



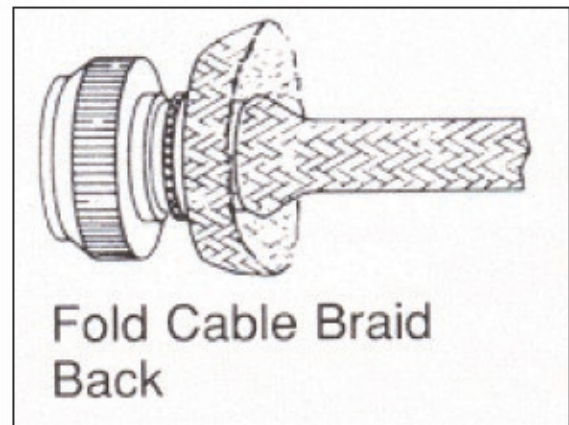
Step 1



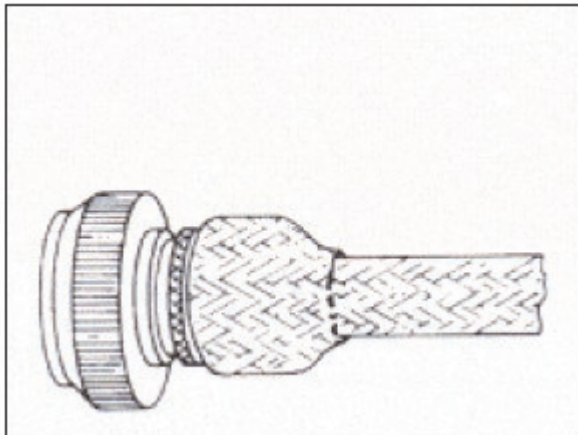
Step 2



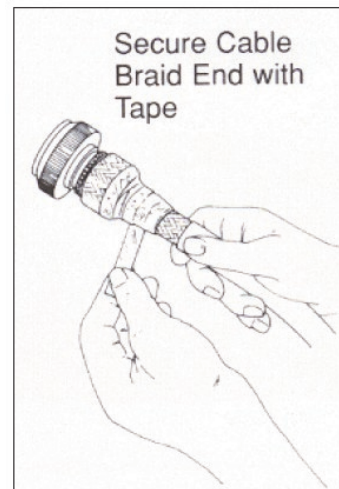
Step 3



Step 4



Step 5



Step 6

HellermannTyton

DISCLAIMER

ALL INFORMATION IN THIS SPECIFICATION, INCLUDING ILLUSTRATIONS, IS BELIEVED TO BE RELIABLE. READERS, HOWEVER, SHOULD INDEPENDENTLY EVALUATE THE SUITABILITY OF EACH PRODUCT FOR THEIR APPLICATION. HELLERMANN TYTON MAKES NO WARRANTIES AS TO THE ACCURACY OR COMPLETENESS OF THE INFORMATION, AND DISCLAIMS ANY LIABILITY REGARDING ITS USE. SPECIFICATIONS ARE SUBJECT TO CHANGE WITHOUT NOTICE. IN ADDITION, HELLERMANN TYTON RESERVES THE RIGHT TO MAKE CHANGES—WITHOUT NOTIFICATION TO CUSTOMERS—TO PROCESSING OR MATERIALS THAT DO NOT AFFECT COMPLIANCE WITH ANY APPLICABLE SPECIFICATION.

Cage Code K0720

INTRODUCTION TO ZETALOK™

Zetalok™ is a unique re-enterable termination system for connecting a cable shielding braid to a circular connector. When used in conjunction with our heatshrink moulded shape, a sealed environmental termination system is achieved.

Zetalok™ incorporates a specially developed backshell designed to accommodate the braid using a constant force spring. The main feature is that the termination can be re-entered when required. It is thereby possible to effect repairs to connector pins and sockets without the need to discard any part of the shielding system.

This method gives comparable performance to the other braid trap arrangements, in terms of tensile strength and DC resistance. Furthermore, due to the self-tensioning nature of the spring, it is exceedingly resistant to vibration and shock.

FEATURES

- Purpose developed backshell incorporating a self tensioning spring
- Tensile force to pull off braid exceeds 150 lbs. When used in combination with a heat shrink boot, tensile force required to remove is in excess of 250 lbs
- Operator friendly and easy to install
- Constant force spring produces a DC contact resistance at 20° Celsius of less than 1 milliohm due to 360° contact with the backshell
- Constant force spring electrical and mechanical characteristics are unaffected by vibration, shock and temperatures between -65° and 150° Celsius
- Comprehensive Independent witnessed test report available on request, covering Thermal Cycling to MIL-STD-202E Method 107G. Vibration Testing to MIL-STD-176-1. Shock Testing to MIL-STD-1344A Condition G.
- Constant force spring can be used in corrosive environments
- Constant force spring can be used with single or double braids when used in combination with backshells designed for use with the Zetalok™ spring

BENEFITS

- Spring can be re-opened with no special tools and subsequently re-used
- Possible to effect repairs to connector pins and sockets without the need to scrap any part of the shielding system
- Product achieves a 360° screen termination
- Four sizes of springs cover a range of entry sizes
- Spring has a pre-set compressive force and needs no external calibration
- Constant force spring can be used in conjunction with backshells and braid tails, without the use of swaging equipment, in the factory or in the field

HellermannTyton

DISCLAIMER

ALL INFORMATION IN THIS SPECIFICATION, INCLUDING ILLUSTRATIONS, IS BELIEVED TO BE RELIABLE. READERS, HOWEVER, SHOULD INDEPENDENTLY EVALUATE THE SUITABILITY OF EACH PRODUCT FOR THEIR APPLICATION. HELLERMANN TYTON MAKES NO WARRANTIES AS TO THE ACCURACY OR COMPLETENESS OF THE INFORMATION, AND DISCLAIMS ANY LIABILITY REGARDING ITS USE. SPECIFICATIONS ARE SUBJECT TO CHANGE WITHOUT NOTICE. IN ADDITION, HELLERMANN TYTON RESERVES THE RIGHT TO MAKE CHANGES—WITHOUT NOTIFICATION TO CUSTOMERS—TO PROCESSING OR MATERIALS THAT DO NOT AFFECT COMPLIANCE WITH ANY APPLICABLE SPECIFICATION.

Cage Code K0720

ZETALOK™

HE050 - HE400-4 (12347630) CONSTANT FORCE SPRINGS

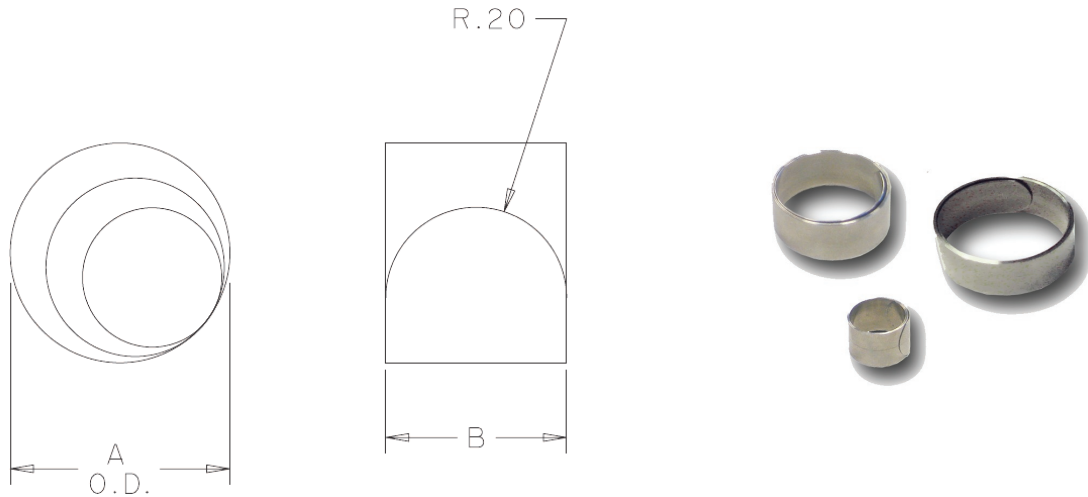


TABLE 1 - STAINLESS STEEL SPRING BAND

HELLERMANN SPRING BAND	A MAX	B +/- 0.2	TURNS +/- 0.25
HE050	.295 (7.5)	.374 (9.5)	
HE100-1	.315 (8.0)	.374 (9.5)	4.5
HE200-2	.504 (12.8)	.374 (9.5)	3
HE300-3	.705 (17.9)	.374 (9.5)	4.25
HE400-4	.858 (21.8)	.374 (9.5)	3.5

Additional sizes are available upon request. Please contact HellermannTyton.

Zetalok™ is a unique re-enterable termination system for connecting a cable shielding braid to a circular connector. When used in conjunction with our Heatshrink moulded shape, a sealed environmental termination system is achieved. The main feature is that the termination can be re-entered when required. It is there by possible to effect repairs to connector pins/sockets without the need to discard any part of the shielding system. Due to the self-tensioning nature of the spring, it provides excellent resistance to vibration and shock.

HellermannTyton Zetalok™ Springs are tested to MIL-STD-202G and MIL-STD-167-1 (Ships).

HellermannTyton

DISCLAIMER

ALL INFORMATION IN THIS SPECIFICATION, INCLUDING ILLUSTRATIONS, IS BELIEVED TO BE RELIABLE. READERS, HOWEVER, SHOULD INDEPENDENTLY EVALUATE THE SUITABILITY OF EACH PRODUCT FOR THEIR APPLICATION. HELLERMANNTYTON MAKES NO WARRANTIES AS TO THE ACCURACY OR COMPLETENESS OF THE INFORMATION, AND DISCLAIMS ANY LIABILITY REGARDING ITS USE. SPECIFICATIONS ARE SUBJECT TO CHANGE WITHOUT NOTICE. IN ADDITION, HELLERMANNTYTON RESERVES THE RIGHT TO MAKE CHANGES—WITHOUT NOTIFICATION TO CUSTOMERS—TO PROCESSING OR MATERIALS THAT DO NOT AFFECT COMPLIANCE WITH ANY APPLICABLE SPECIFICATION.

Cage Code K0720

APPROVED SOURCE TACOM ADAPTER CROSS REFERENCE

TACOM ITEM	HELLERMANN ITEM	TACOM ITEM	HELLERMANN ITEM	TACOM ITEM	HELLERMANN ITEM
12347630-1	HE100-1	12387121-17	HT7402-22-7-9	12387118-18	HT7006-25-7-9
12347630-2	HE200-2	12387121-18	HT7402-24-7-9	12387117-1	HT7406-09-6-8
12347630-3	HE300-3	12387120-1	HT7902-08-6-8	12387117-2	HT7406-11-6-8
12347630-4	HE400-4	12387120-2	HT7902-10-6-8	12387117-3	HT7406-13-6-8
12347631-1	HT7002-08-6-8	12387120-3	HT7902-12-6-8	12387117-4	HT7406-15-6-8
12347631-2	HT7002-10-6-8	12387120-4	HT7902-14-6-8	12387117-5	HT7406-17-6-8
12347631-3	HT7002-12-6-8	12387120-5	HT7902-16-6-8	12387117-6	HT7406-19-6-8
12347631-4	HT7002-14-6-8	12387120-6	HT7902-18-6-8	12387117-7	HT7406-21-6-8
12347631-5	HT7002-16-6-8	12387120-7	HT7902-20-6-8	12387117-8	HT7406-23-6-8
12347631-6	HT7002-18-6-8	12387120-8	HT7902-22-6-8	12387117-9	HT7406-25-6-8
12347631-7	HT7002-20-6-8	12387120-9	HT7902-24-6-8	12387117-10	HT7406-09-7-9
12347631-8	HT7002-22-6-8	12387120-10	HT7902-08-7-9	12387117-11	HT7406-11-7-9
12347631-9	HT7002-24-6-8	12387120-11	HT7902-10-7-9	12387117-12	HT7406-13-7-9
12347631-10	HT7002-08-7-9	12387120-12	HT7902-12-7-9	12387117-13	HT7406-15-7-9
12347631-11	HT7002-10-7-9	12387120-13	HT7902-14-7-9	12387117-14	HT7406-17-7-9
12347631-12	HT7002-12-7-9	12387120-14	HT7902-16-7-9	12387117-15	HT7406-19-7-9
12347631-13	HT7002-14-7-9	12387120-15	HT7902-18-7-9	12387117-16	HT7406-21-7-9
12347631-14	HT7002-16-7-9	12387120-16	HT7902-20-7-9	12387117-17	HT7406-23-7-9
12347631-15	HT7002-18-7-9	12387120-17	HT7902-22-7-9	12387117-18	HT7406-25-7-9
12347631-16	HT7002-20-7-9	12387120-18	HT7902-24-7-9	12387119-1	HT7906-09-6-8
12347631-17	HT7002-22-7-9	12387178	HT7909-15-6-8	12387119-2	HT7906-11-6-8
12347631-18	HT7002-24-7-9	12387118-1	HT7006-09-6-8	12387119-3	HT7906-13-6-8
12387121-1	HT7402-08-6-8	12387118-2	HT7006-11-6-8	12387119-4	HT7906-15-6-8
12387121-2	HT7402-10-6-8	12387118-3	HT7006-13-6-8	12387119-5	HT7906-17-6-8
12387121-3	HT7402-12-6-8	12387118-4	HT7006-15-6-8	12387119-6	HT7906-19-6-8
12387121-4	HT7402-14-6-8	12387118-5	HT7006-17-6-8	12387119-7	HT7906-21-6-8
12387121-5	HT7402-16-6-8	12387118-6	HT7006-19-6-8	12387119-8	HT7906-23-6-8
12387121-6	HT7402-18-6-8	12387118-7	HT7006-21-6-8	12387119-9	HT7906-25-6-8
12387121-7	HT7402-20-6-8	12387118-8	HT7006-23-6-8	12387119-10	HT7906-09-7-9
12387121-8	HT7402-22-6-8	12387118-9	HT7006-25-6-8	12387119-11	HT7906-11-7-9
12387121-9	HT7402-24-6-8	12387118-10	HT7006-09-7-9	12387119-12	HT7906-13-7-9
12387121-10	HT7402-08-7-9	12387118-11	HT7006-11-7-9	12387119-13	HT7906-15-7-9
12387121-11	HT7402-10-7-9	12387118-12	HT7006-13-7-9	12387119-14	HT7906-17-7-9
12387121-12	HT7402-12-7-9	12387118-13	HT7006-15-7-9	12387119-15	HT7906-19-7-9
12387121-13	HT7402-14-7-9	12387118-14	HT7006-17-7-9	12387119-16	HT7906-21-7-9
12387121-14	HT7402-16-7-9	12387118-15	HT7006-19-7-9	12387119-17	HT7906-23-7-9
12387121-15	HT7402-18-7-9	12387118-16	HT7006-21-7-9	12387119-18	HT7906-25-7-9
12387121-16	HT7402-20-7-9	12387118-17	HT7006-23-7-9		



DISCLAIMER

ALL INFORMATION IN THIS SPECIFICATION, INCLUDING ILLUSTRATIONS, IS BELIEVED TO BE RELIABLE. READERS, HOWEVER, SHOULD INDEPENDENTLY EVALUATE THE SUITABILITY OF EACH PRODUCT FOR THEIR APPLICATION. HELLERMANN TYTON MAKES NO WARRANTIES AS TO THE ACCURACY OR COMPLETENESS OF THE INFORMATION, AND DISCLAIMS ANY LIABILITY REGARDING ITS USE. SPECIFICATIONS ARE SUBJECT TO CHANGE WITHOUT NOTICE. IN ADDITION, HELLERMANN TYTON RESERVES THE RIGHT TO MAKE CHANGES—WITHOUT NOTIFICATION TO CUSTOMERS—TO PROCESSING OR MATERIALS THAT DO NOT AFFECT COMPLIANCE WITH ANY APPLICABLE SPECIFICATION.

Cage Code K0720