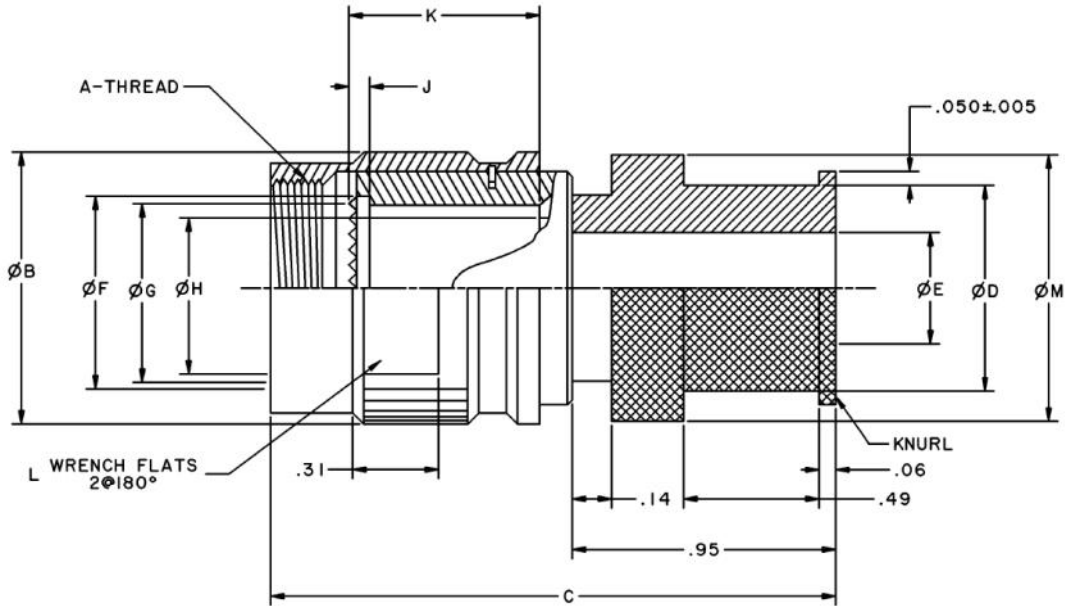


12387129 - ADAPTER, STRAIGHT, RFI
MIL-DTL-5015 REVERSE BAYONET STYLE



NOTES

1. DASH NUMBERS 1-10 ARE ALUMINUM ALLOY 6061-T6 MATERIAL, ELECTROLESS NICKEL FINISH
2. DASH NUMBERS 11-20 ARE STAINLESS STEEL 304 SERIES
3. ADAPTER, WHEN USED WITH A SEALED HEAT SHRINKABLE BOOT AND APPROPRIATE CONNECTOR, SHALL SHOW NO SIGNS OF LEAKAGE WHEN SUBMERGED TO A DEPTH OF 6 FEET OF WATER OR EQUIVALENT
4. REFER TO TACOM DRAWING FOR ADDITIONAL INFORMATION

Part Number Designator	
12387129-	5
	Dash Number - See Table I
	Basic Part Number

DISCLAIMER
 ALL INFORMATION IN THIS SPECIFICATION, INCLUDING ILLUSTRATIONS, IS BELIEVED TO BE RELIABLE. READERS, HOWEVER, SHOULD INDEPENDENTLY EVALUATE THE SUITABILITY OF EACH PRODUCT FOR THEIR APPLICATION. COMPAERO MAKES NO WARRANTIES AS TO THE ACCURACY OR COMPLETENESS OF THE INFORMATION, AND DISCLAIMS ANY LIABILITY REGARDING ITS USE. SPECIFICATIONS ARE SUBJECT TO CHANGE WITHOUT NOTICE. IN ADDITION, COMPAERO RESERVES THE RIGHT TO MAKE CHANGES—WITHOUT NOTIFICATION TO CUSTOMERS—TO PROCESSING OR MATERIALS THAT DO NOT AFFECT COMPLIANCE WITH ANY APPLICABLE SPECIFICATION.

12387129 - ADAPTER, STRAIGHT, RFI
MIL-DTL-5015 REVERSE BAYONET STYLE



TABLE I - All Dimensions in Inches

DASH NUMBER	A THREAD	Ø B MAX	C REF	Ø D MAX	Ø E MAX	Ø F +.004 -.004	Ø G +.002 -.002	Ø H +.002 -.002	J +.003 -.003	K +.005 -.005	L +.003 -.015	Ø M MAX
1	0.625 - 24 UNEF	0.97	1.50	0.53	0.27	0.486	0.459	0.411	0.105	0.374	0.81	0.56
2	0.750 - 20 UNEF	1.03	1.50	0.61	0.41	0.610	0.522	0.443	0.078	0.232	0.87	0.64
3	0.875 - 20 UNEF	1.22	1.83	0.78	0.52	0.736	0.652	0.514	0.145	0.299	1.06	0.82
4	1.000 - 20 UNEF	1.34	1.83	0.84	0.65	0.860	0.817	0.758	0.105	0.433	1.19	0.89
5	1.125-18 UNEF	1.47	1.91	0.96	0.78	0.986	0.908	0.762	0.113	0.260	1.31	1.02
6	1.250 - 18 UNEF	1.59	1.91	1.04	0.88	1.108	1.014	0.868	0.113	0.260	1.44	1.08
7	1.375 - 18 UNEF	1.72	2.01	1.22	1.01	1.236	1.183	1.120	0.097	0.464	1.56	1.27
8	1.625 - 18 UNEF	1.97	2.01	1.35	1.13	1.431	1.333	1.230	0.113	0.425	1.81	1.39
9	1.875 - 16 UN	2.22	2.15	1.48	1.26	1.687	1.624	1.490	0.105	0.464	2.06	1.52
10	2.0625 - 16 UNS	2.47	2.15	1.71	1.38	N/A	1.880	1.773	N/A	0.417	2.31	1.74
11	0.625 - 24 UNEF	0.97	1.50	0.53	0.27	0.486	0.459	0.411	0.105	0.374	0.81	0.56
12	0.750 - 20 UNEF	1.03	1.50	0.61	0.41	0.610	0.522	0.443	0.078	0.232	0.87	0.64
13	0.875 - 20 UNEF	1.22	1.83	0.78	0.52	0.736	0.652	0.514	0.145	0.299	1.06	0.82
14	1.000 - 20 UNEF	1.34	1.83	0.84	0.65	0.860	0.817	0.758	0.105	0.433	1.19	0.89
15	1.125-18 UNEF	1.47	1.91	0.96	0.78	0.986	0.908	0.762	0.113	0.260	1.31	1.02
16	1.250 - 18 UNEF	1.59	1.91	1.04	0.88	1.108	1.014	0.868	0.113	0.260	1.44	1.08
17	1.375 - 18 UNEF	1.72	2.01	1.22	1.01	1.236	1.183	1.120	0.097	0.464	1.56	1.27
18	1.625 - 18 UNEF	1.97	2.01	1.35	1.13	1.431	1.333	1.230	0.113	0.425	1.81	1.39
19	1.875 - 16 UN	2.22	2.15	1.48	1.26	1.687	1.624	1.490	0.105	0.464	2.06	1.52
20	2.0625 - 16 UNS	2.47	2.15	1.71	1.38	N/A	1.880	1.773	N/A	0.417	2.31	1.74



DISCLAIMER

ALL INFORMATION IN THIS SPECIFICATION, INCLUDING ILLUSTRATIONS, IS BELIEVED TO BE RELIABLE. READERS, HOWEVER, SHOULD INDEPENDENTLY EVALUATE THE SUITABILITY OF EACH PRODUCT FOR THEIR APPLICATION. COMPAERO MAKES NO WARRANTIES AS TO THE ACCURACY OR COMPLETENESS OF THE INFORMATION, AND DISCLAIMS ANY LIABILITY REGARDING ITS USE. SPECIFICATIONS ARE SUBJECT TO CHANGE WITHOUT NOTICE. IN ADDITION, COMPAERO RESERVES THE RIGHT TO MAKE CHANGES—WITHOUT NOTIFICATION TO CUSTOMERS—TO PROCESSING OR MATERIALS THAT DO NOT AFFECT COMPLIANCE WITH ANY APPLICABLE SPECIFICATION.

Compaero, Inc. - Cage Code ØG3R1 - www.compaero.com - sales@compaero.com

Supporting the Aerospace and Defense Industry Since 1989.