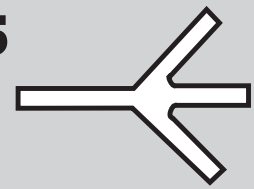
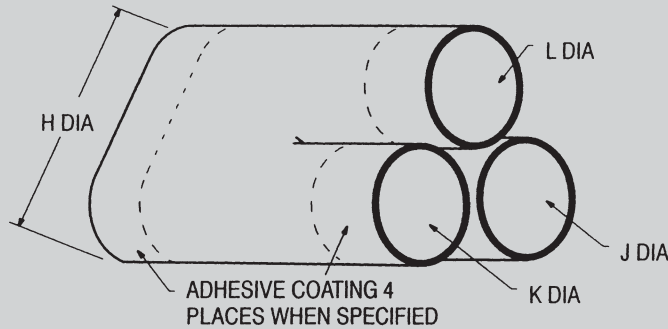


573H532-535

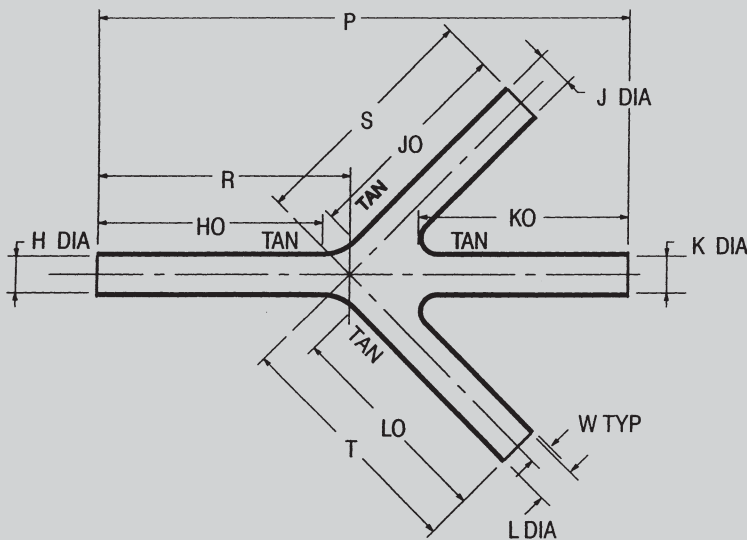
**TRANSITION,
1 TO 3 CABLES,
LOW PROFILE**



EXPANDED, AS SUPPLIED, PART



FULLY RECOVERED PART (AFTER HEATING)



This style provides strain relief, sealing and mechanical protection on cable harness breakouts or transitions.

1. All dimensions are in inches – all angles in degrees.
2. Dimensions in table:
X = Expanded (minimum);
R = Recovered (maximum)
3. Colour: Black

Part Number	H DIA		HO, JO, KO & LO ±15% R	P NOM R	R, S & T NOM R	W NOM R	J, K & L DIA	
	MIN X	MAX R					MIN X	MAX R
573H532	0.78	0.26	1.00	3.38	1.69	0.04	0.52	0.26
573H533	1.35	0.45	1.62	5.34	2.67	0.05	0.81	0.45
573H534	2.37	0.79	2.50	8.16	4.08	0.06	1.42	0.79
573H535	3.93	1.31	3.50	11.60	5.80	0.07	2.16	1.31
573H534-01	2.37	0.79	1.09	5.34	2.67	0.06	1.42	0.79
573H535-01	3.93	1.31	1.79	8.16	4.08	0.07	2.16	1.31

MATERIALS AVAILABLE

- 6 Flexible Flame Retardant Polyolefin
- 8 Viton-Polyester Polymer Blend
- 9 Modified Elastomer Blend

ADHESIVE OPTIONS

Adhesive (Part Numbers)	Factory Applied	Description
TSA-200	-200	Thermoset 125°C
TTS-250	-250	Thermoplastic 80°C
TTS-450	-450	Thermoplastic 120°C
W24	W24	1 Part Epoxy 200°C

Larger expansions available on request for -6 material