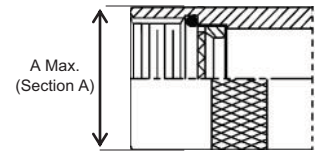


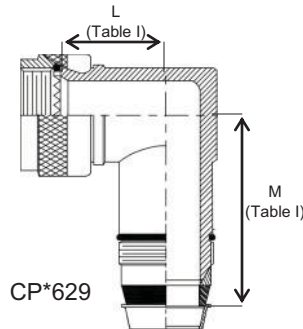
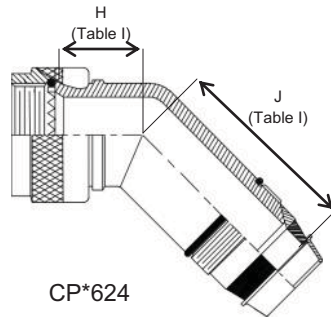
FOR STRAIN RELIEF OPTIONS
REFER TO SECTION E

**DIRECT COUPLING OPTION
(STRAIGHT)**

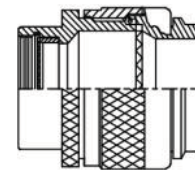


AVAILABLE IN THE FOLLOWING STRAIN RELIEF STYLES: J, G

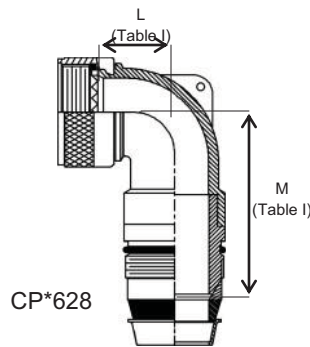
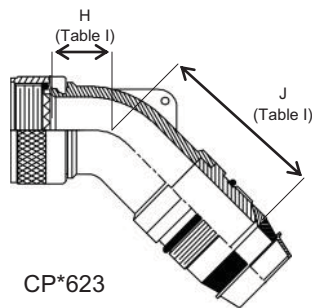
STANDARD PROFILE



**DIRECT COUPLING OPTION
(45° AND 90°)**



LOW PROFILE



**DIRECT COUPLING OPTION
(45° AND 90°)**

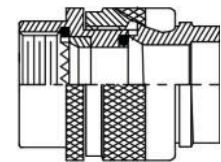


TABLE I
DIMENSIONAL CHART - 45 AND 90 DEGREE ADAPTERS

SHELL SIZE	H MAX	J MAX	L MAX	M MAX	N MAX	P MAX	R MAX	S MAX
8, 9 (A)	.457 (11.6)	2.030 (51.6)	.500 (12.7)	2.040 (51.8)	.639 (16.2)	2.030 (51.6)	.750 (19.1)	2.040 (51.8)
10, 11 (B)	.520 (13.2)	2.030 (51.6)	.595 (15.1)	2.040 (51.8)	.664 (16.9)	2.030 (51.6)	.810 (20.6)	2.040 (51.8)
12, 13 (C)	.582 (14.8)	2.090 (53.1)	.610 (15.5)	2.160 (54.9)	.688 (17.5)	2.090 (53.1)	.870 (22.1)	2.160 (54.9)
14, 15 (D)	.645 (16.4)	2.150 (54.6)	.700 (17.8)	2.180 (55.4)	.705 (17.9)	2.150 (54.6)	.920 (23.4)	2.180 (55.4)
16, 17 (E)	.738 (18.7)	2.240 (56.9)	.885 (22.5)	2.250 (57.2)	.732 (18.6)	2.240 (56.9)	.980 (24.9)	2.250 (57.2)
18, 19 (F)	.926 (23.5)	2.340 (59.4)	.975 (24.8)	2.340 (59.4)	.748 (19.0)	2.340 (59.4)	1.020 (25.9)	2.340 (59.4)
20, 21 (G)	.926 (23.5)	2.340 (59.4)	.975 (24.8)	2.340 (59.4)	.773 (19.6)	2.340 (59.4)	1.080 (27.4)	2.340 (59.4)
22, 23 (H)	1.020 (25.9)	2.540 (64.5)	1.125 (28.6)	2.510 (63.8)	.800 (20.3)	2.540 (64.5)	1.140 (29.0)	2.510 (63.8)
24, 25 (J)	1.020 (25.9)	2.540 (64.5)	1.125 (28.6)	2.510 (63.8)	.823 (20.9)	2.540 (64.5)	1.200 (30.5)	2.510 (63.8)



ENVIRONMENTAL BACKSHELL
CP*621, CP*623, CP*624, CP*628, CP*629
PART NUMBER BREAKDOWN & CROSS REFERENCE

SERIES
62

SERIES 62 - PART NUMBER BREAKDOWN / HOW TO ORDER										
CP	F	62	1	W	D	-16	06	M	-6	
LENGTH (STRAIGHT ONLY) 1/4 INCH INCREMENTS; 1.5 INCH MINIMUM OMIT FOR 1.5 INCH LENGTH e.g. '-12' INDICATES A 3 INCH LENGTH										
STRAIN RELIEF OPTION (SEE SECTION E) OMIT FOR NONE										
CABLE ENTRY / DASH NUMBER (SEE SECTION E)										
SHELL SIZE										
D = DIRECT COUPLING OPTION S = SELF-LOCKING COUPLING OPTION OMIT FOR STANDARD ROTATABLE COUPLING										
MATERIAL & FINISH C = ALUMINUM, ANODIZE, BLACK F = ALUMINUM, ELECTROLESS NICKEL G = ALUMINUM, HARD ANODIZE K = STAINLESS STEEL, PASSIVATED W = ALUMINUM, CADMIUM OLIVE DRAB OVER ELECTROLESS NICKEL										
ANGLE 1 = STRAIGHT 3 = 45 DEGREES, LOW PROFILE 4 = 45 DEGREES, STANDARD PROFILE 8 = 90 DEGREES, LOW PROFILE 9 = 90 DEGREES, STANDARD PROFILE										
SERIES										
INTERFACE CODE A = MIL-DTL-5015 CRIMP, MIL-DTL-26482 II, MIL-DTL-83723 III D = MIL-DTL-26482 SERIES I F = MIL-DTL-38999 SERIES I & II H = MIL-DTL-38999 SERIES III & IV										
BASIC PART NUMBER										

CROSS REFERENCE INFORMATION - FOR COMPLETE BREAKDOWN SEE APPENDIX A

GLENAIR CROSS REFERENCE									
370	F	S	005	M	16	10	M	6	
			006						LENGTH
									STRAIN RELIEF
									CABLE ENTRY
									SHELL SIZE
									MATERIAL & FINISH
									BASIC PART NUMBER
									ANGLE
									INTERFACE CODE
									SERIES

DISCLAIMER

ALL INFORMATION IN THIS CATALOG, INCLUDING ILLUSTRATIONS, IS BELIEVED TO BE RELIABLE. READERS, HOWEVER, SHOULD INDEPENDENTLY EVALUATE THE SUITABILITY OF EACH PRODUCT FOR THEIR APPLICATION. COMPAERO MAKES NO WARRANTIES AS TO THE ACCURACY OR COMPLETENESS OF THE INFORMATION, AND DISCLAIMS ANY LIABILITY REGARDING ITS USE. SPECIFICATIONS ARE SUBJECT TO CHANGE WITHOUT NOTICE. IN ADDITION, COMPAERO RESERVES THE RIGHT TO MAKE CHANGES—WITHOUT NOTIFICATION TO CUSTOMERS—TO PROCESSING OR MATERIALS THAT DO NOT AFFECT COMPLIANCE WITH ANY APPLICABLE SPECIFICATION.

**SECTION
A**

CONNECTOR INTERFACE DIMENSIONS



CONNECTOR INTERFACE DIMENSION TABLE							
CONNECTOR INTERFACE							
A	D, F	H	THREAD	A DIA MAX	B DIA MAX	C DIA MAX	D DIA MAX
	8, 9		7/16 – 28 UNEF	.590 (15.)	.650 (16.5)	.770 (19.6)	.690 (17.5)
		9 (A)	M12 x 1 – 6H	.650 (16.5)	.770 (19.6)	.770 (19.6)	.940 (24.8)
8			1/2 – 20 UNF	.650 (16.5)	.650 (16.5)	.650 (16.5)	.690 (17.5)
	10, 11		9/16 – 24 UNEF	.720 (18.3)	.770 (19.6)	.890 (22.6)	.820 (20.8)
		11 (B)	M15 x 1 – 6H	.770 (19.6)	.820 (20.8)	.820 (20.8)	1.060 (26.9)
10			5/8 – 24 UNEF	.770 (19.6)	.770 (19.6)	.890 (22.6)	.820 (20.8)
	12, 13		11/16 – 24 UNEF	.840 (21.3)	.890 (22.6)	1.020 (25.9)	.940 (23.8)
		13 (C)	M18 x 1 – 6H	.890 (22.6)	.940 (23.9)	.940 (23.9)	1.170 (29.7)
12			3/4 – 20 UNEF	.970 (24.6)	.940 (23.9)	1.020 (25.9)	.940 (23.8)
	14, 15		13/16 – 20 UNEF	.970 (24.6)	1.020 (29.2)	1.150 (29.2)	1.060 (26.9)
		15 (D)	M22 x 1 – 6H	1.030 (26.2)	1.070 (26.2)	1.070 (26.2)	1.290 (32.7)
14			7/8 – 20 UNEF	1.090 (27.7)	1.020 (25.9)	1.150 (29.2)	1.060 (26.9)
	16, 17		15/16 – 20 UNEF	1.090 (27.7)	1.150 (29.2)	1.260 (32.0)	1.170 (29.7)
		17 (E)	M25 x 1 – 6H	1.150 (29.2)	1.210 (30.7)	1.210 (30.7)	1.420 (36.1)
16			1 – 20 UNEF	1.220 (29.2)	1.210 (30.7)	1.230 (31.2)	1.170 (29.7)
18	18, 19		1 1/16 – 18 UNEF	1.220 (31.0)	1.230 (31.2)	1.400 (35.6)	1.290 (32.7)
		19 (F)	M28 x 1 – 6H	1.280 (32.5)	1.360 (34.5)	1.360 (34.5)	1.540 (39.1)
20	20, 21		1 3/16 – 18 UNEF	1.340 (34.0)	1.360 (34.5)	1.530 (38.9)	1.420 (36.0)
		21 (G)	M31 x 1 – 6H	1.410 (35.8)	1.480 (37.6)	1.480 (37.6)	1.670 (42.4)
22	22, 23		1 5/16 – 18 UNEF	1.470 (37.3)	1.480 (37.6)	1.600 (40.6)	1.540 (39.1)
		23 (H)	M34 x 1 – 6H	1.530 (38.9)	1.600 (40.6)	1.600 (40.6)	2.010 (51.1)
24	24, 25		1 7/16 – 18 UNEF	1.590 (40.4)	1.730 (43.9)	1.940 (49.3)	1.660 (42.2)
		25 (J)	M37 x 1 – 6H	1.660 (42.2)	1.700 (43.2)	1.700 (43.2)	2.120 (53.8)
28			1 3/4 – 18 UNS	1.970 (50.0)	1.970 (50.0)	1.970 (50.0)	2.010 (51.1)
32			2 – 18 UNS	2.280 (57.9)	2.220 (56.4)	2.220 (56.4)	2.260 (57.4)
36			2 1/4 – 16 UN	2.530 (64.3)	2.47 (62.7)	2.47 (62.7)	2.530 (64.3)

**SECTION
E**

STRAIN RELIEF SPECIFICATIONS

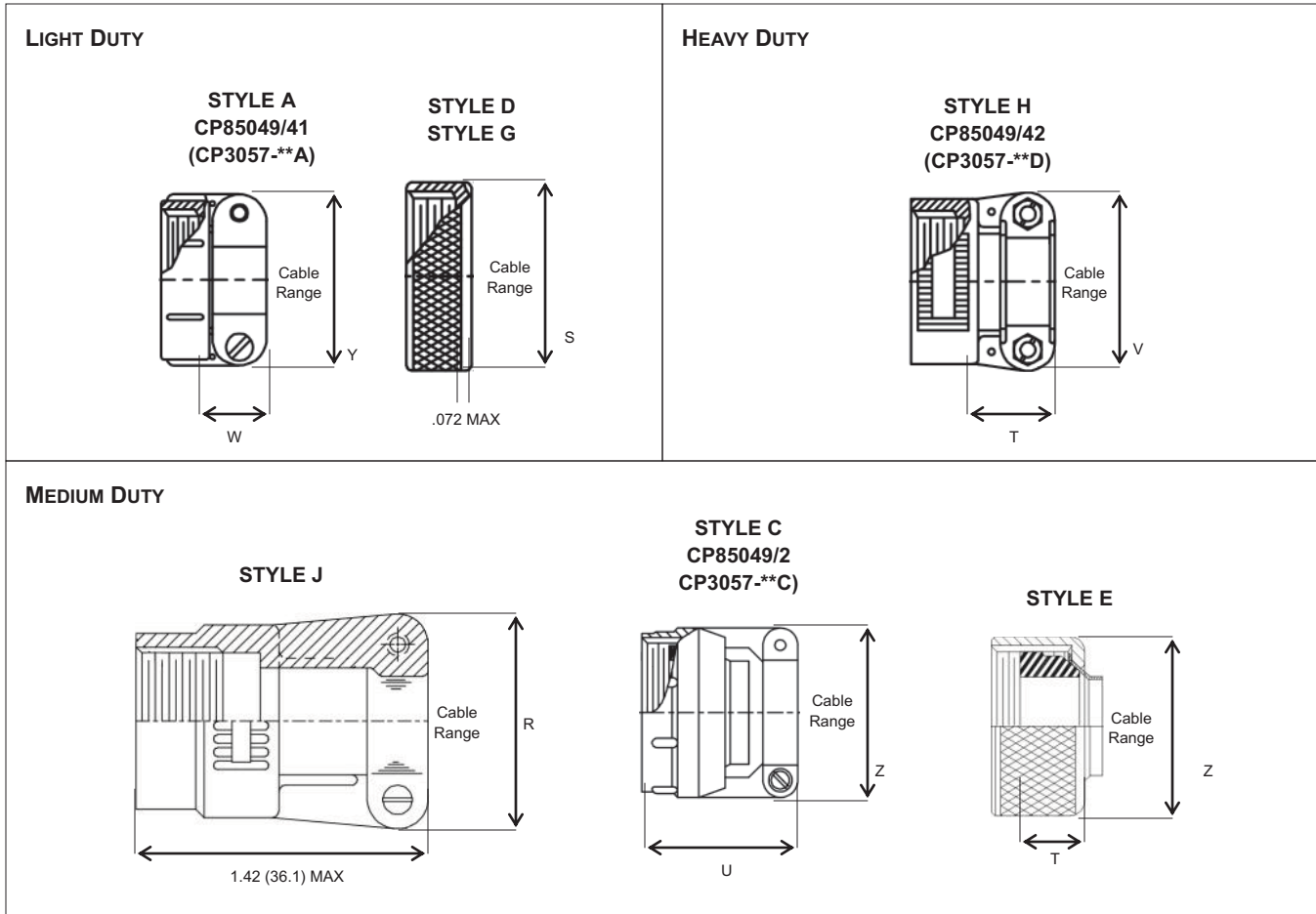


TABLE II - DIMENSIONAL CHART - FOR STRAIN RELIEF ADAPTERS

DASH	R MAX	S MAX	T MAX	U MAX	V MAX	W MAX	Y MAX	Z MAX
01	.781 (19.8)	.630 (16.0)	.780 (19.8)	1.375 (34.9)	.957 (24.3)	.437 (11.1)	.812 (20.6)	.812 (20.6)
02	.968 (24.6)	.755 (19.2)	.780 (19.8)	1.375 (34.9)	1.145 (29.1)	.437 (11.1)	.875 (22.2)	.937 (23.8)
03	1.046 (26.6)	.942 (23.9)	.780 (19.8)	1.375 (34.9)	1.332 (33.8)	.500 (12.7)	1.062 (27.0)	1.062 (27.0)
04	1.156 (29.4)	1.067 (27.1)	.780 (19.8)	1.375 (34.9)	1.332 (33.8)	.563 (14.3)	1.156 (29.4)	1.188 (30.2)
05	1.218 (30.9)	1.192 (30.3)	.811 (20.6)	1.437 (36.5)	1.551 (39.4)	.563 (14.3)	1.250 (31.8)	1.312 (33.3)
06	1.343 (34.1)	1.380 (35.1)	.905 (23.0)	1.437 (36.5)	1.770 (45.0)	.563 (14.3)	1.469 (37.3)	1.562 (39.7)
07	1.468 (37.3)	1.535 (39.0)	1.092 (27.7)	1.562 (39.7)	2.113 (53.7)	.656 (16.7)	1.688 (42.9)	1.750 (44.5)
08	1.593 (40.5)	1.848 (46.9)	1.124 (28.5)	1.812 (46.0)	2.363 (60.0)	.656 (16.7)	2.031 (51.6)	2.250 (57.2)
09	1.718 (43.6)	2.255 (57.3)	1.399 (35.5)	2.062 (52.4)	2.770 (70.4)	.656 (16.7)	2.281 (57.9)	2.375 (60.3)
10	1.843 (46.8)	2.505 (63.6)	1.399 (35.5)	2.062 (52.4)	3.020 (76.7)	1.188 (30.2)	2.688 (68.3)	2.625 (66.7)
11	N/A	N/A	N/A	2.188 (55.6)	N/A	1.187 (30.1)	2.938 (74.6)	2.812 (71.4)
12	N/A	N/A	N/A	N/A	N/A	1.125 (28.6)	3.500 (88.9)	N/A



STRAIN RELIEF SPECIFICATIONS

SECTION E

TABLE I - CABLE RANGE - FOR STRAIN RELIEF ADAPTERS

DASH	STYLE 'H'		STYLE 'A' STYLE 'D'		STYLE 'J' STYLE 'G'		STYLE 'C' STYLE 'E'	
	MIN	MAX	MIN	MAX	MIN	MAX	MIN	MAX
01	N/A	N/A	.156 (4.0)	.250 (6.4)	.062 (1.6)	.125 (3.2)	.217 (5.5)	.219 (5.6)
02	.125 (3.2)	.312 (7.9)	.188 (4.8)	.312 (7.9)	.125 (3.2)	.250 (6.4)	.296 (7.5)	.312 (7.9)
03	.250 (6.4)	.437 (11.1)	.281 (7.1)	.438 (11.1)	.250 (6.4)	.375 (9.5)	.390 (9.9)	.438 (11.1)
04	.312 (7.9)	.562 (14.3)	.387 (9.8)	.562 (14.3)	.375 (9.5)	.500 (12.7)	.434 (11.0)	.531 (13.5)
05	.350 (8.9)	.625 (15.9)	.375 (9.5)	.625 (15.9)	.500 (12.7)	.625 (15.9)	.434 (11.0)	.625 (15.9)
06	.500 (12.7)	.750 (19.1)	.438 (11.1)	.750 (19.1)	.625 (15.9)	.750 (19.1)	.596 (15.1)	.750 (19.1)
07	.625 (15.9)	.937 (23.8)	.625 (15.9)	.938 (23.8)	.750 (19.1)	.875 (22.2)	.596 (15.1)	.938 (23.8)
08	.875 (22.2)	1.250 (31.8)	.875 (22.2)	1.250 (31.8)	.875 (22.2)	1.000 (25.4)	.858 (21.8)	1.250 (31.8)
09	1.000 (25.4)	1.375 (34.9)	1.000 (25.4)	1.375 (34.9)	1.000 (25.4)	1.125 (28.6)	.858 (21.8)	1.375 (34.9)
10	1.250 (31.8)	1.625 (41.3)	1.250 (31.8)	1.625 (41.3)	1.125 (28.6)	1.250 (31.8)	1.107 (28.1)	1.625 (41.3)
11	1.437 (36.5)	1.875 (47.6)	1.437 (36.5)	1.875 (47.6)	N/A	N/A	1.421 (36.1)	1.875 (47.6)
12	N/A	N/A	1.875 (47.6)	2.375 (60.3)	N/A	N/A	N/A	N/A

PART NUMBER BREAKDOWN / HOW TO ORDER

CP	F	73	1	W	D	-16	06	G	-6	
STRAIN RELIEF OPTION (SEE TABLE I) OMIT FOR NONE										
CABLE ENTRY / DASH NUMBER (SEE TABLE I)										

TABLE III - CROSS REFERENCE TABLE - TO ORDER STRAIN RELIEFS SEPARATELY

DASH	STYLE 'H'		STYLE 'A'		STYLE 'C'	
	COMPAERO	MIL-SPEC	COMPAERO	MIL-SPEC	COMPAERO	MIL-SPEC
01	N/A	N/A	CP85049/41-3A	M85049/41-3A	CP85049/2-3C	M85049/2-3C
02	CP85049/42-4D*	M85049/42-4D*	CP85049/41-4A	M85049/41-4A	CP85049/2-4C	M85049/2-4C
03	CP85049/42-6D*	M85049/42-6D*	CP85049/41-6A	M85049/41-6A	CP85049/2-6C	M85049/2-6C
04	CP85049/42-8D*	M85049/42-8D*	CP85049/41-8A	M85049/41-8A	CP85049/2-8C	M85049/2-8C
05	CP85049/42-10D*	M85049/42-10D*	CP85049/41-10A	M85049/41-10A	CP85049/2-10C	M85049/2-10C
06	CP85049/42-12D*	M85049/42-12D*	CP85049/41-12A	M85049/41-12A	CP85049/2-12C	M85049/2-12C
07	CP85049/42-16D*	M85049/42-16D*	CP85049/41-16A	M85049/41-16A	CP85049/2-16C	M85049/2-16C
08	CP85049/42-20D*	M85049/42-20D*	CP85049/41-20A	M85049/41-20A	CP85049/2-20C	M85049/2-20C
09	CP85049/42-24D*	M85049/42-24D*	CP85049/41-24A	M85049/41-24A	CP85049/2-24C	M85049/2-24C
10	CP85049/42-28D*	M85049/42-28D*	CP85049/41-28A	M85049/41-28A	CP85049/2-28C	M85049/2-28C
11	CP85049/42-32D*	M85049/42-32D*	CP85049/41-32A	M85049/41-32A	CP85049/2-32C	M85049/2-32C
12	N/A	N/A	CP85049/41-40A	M85049/41-40A	N/A	N/A

* REPLACE WITH FINISH CODE: N = ELECTROLESS NICKEL, W = CADMIUM OLIVE DRAB, K = STAINLESS STEEL



RECOMMENDED TORQUE VALUES

SECTION G

INSTALLATION TORQUE VALUES FOR CIRCULAR ELECTRICAL CONNECTOR ACCESSORIES		
ACCESSORY THREAD TORQUE: ±5 INCH POUNDS		
	CONNECTOR INTERFACE	
SHELL SIZE	D, F	A, H
8, 9, A	35	56
10, 10SL, 11, B	35	76
12, 12S, 13, C	40	108
14, 14S, 15, D	40	116
16, 16S, 17, E	40	116
18, 19, 27, F	40	116
20, 21, 37, G	80	136
22, 23, H	80	136
24, 25, 61, J	80	136
28, 29	120	148
32, 33	120	148
36	120	148
40	160	164
44	160	164
48	160	164