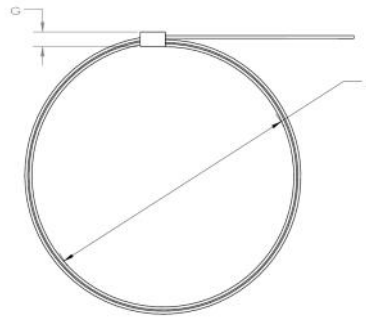




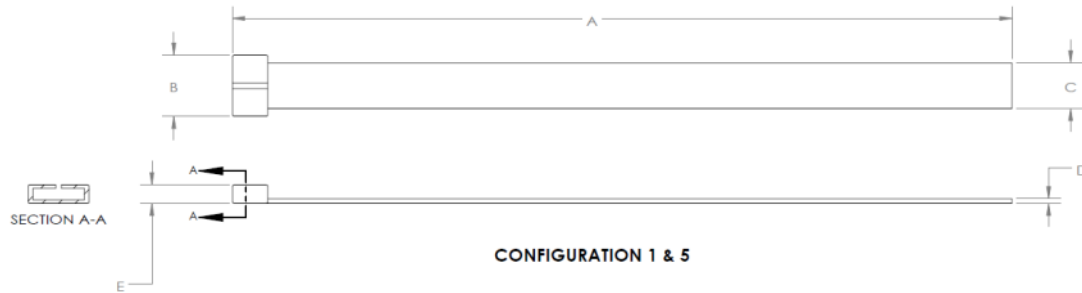
**M85049/128 (AS85049/128) EMI/RFI BANDS
COMPAERO SERIES CP85049/128**



WELDED BUCKLE



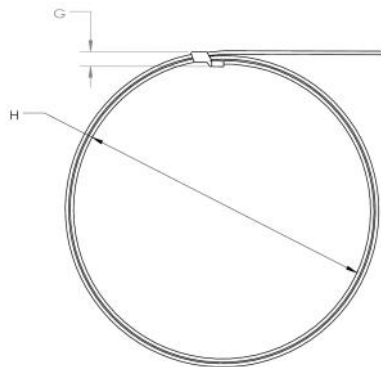
CONFIGURATION 2 & 6 - PRE-COILED



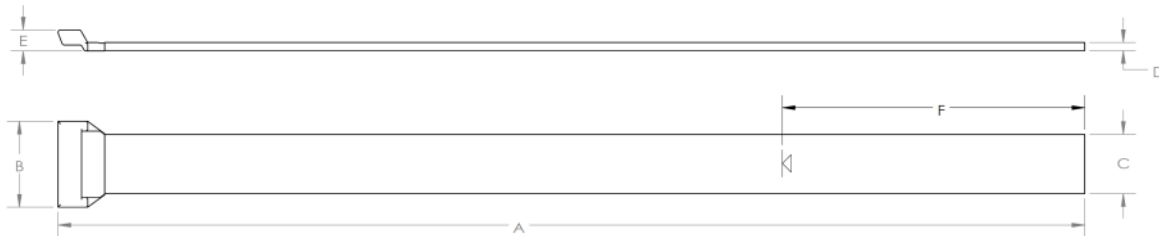
CONFIGURATION 1 & 5



STAMPED BUCKLE



CONFIGURATION 4 & 8 - PRE-COILED



CONFIGURATION 3 & 7

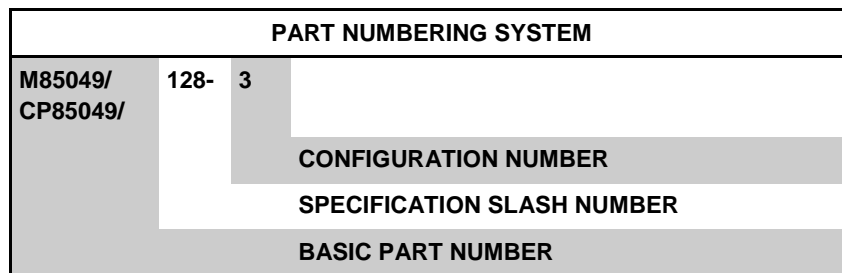
DISCLAIMER

ALL INFORMATION IN THIS SPECIFICATION, INCLUDING ILLUSTRATIONS, IS BELIEVED TO BE RELIABLE. READERS, HOWEVER, SHOULD INDEPENDENTLY EVALUATE THE SUITABILITY OF EACH PRODUCT FOR THEIR APPLICATION. COMPAERO MAKES NO WARRANTIES AS TO THE ACCURACY OR COMPLETENESS OF THE INFORMATION, AND DISCLAIMS ANY LIABILITY REGARDING ITS USE. SPECIFICATIONS ARE SUBJECT TO CHANGE WITHOUT NOTICE. IN ADDITION, COMPAERO RESERVES THE RIGHT TO MAKE CHANGES—WITHOUT NOTIFICATION TO CUSTOMERS—TO PROCESSING OR MATERIALS THAT DO NOT AFFECT COMPLIANCE WITH ANY APPLICABLE SPECIFICATION.

M85049/128 (AS85049/128) EMI/RFI BANDS
COMPAERO SERIES CP85049/128



CONFIGURATION DIMENSIONS								
CONFIGURATION NUMBER	A ± .060	B ± .031	C ± .010	D REF	E REF	F REF	G REF	H REF
1	14.00	.328	.245	.019	.100	---	---	---
2	---	---	---	---	---	---	.140	1.750
3	14.256	.350	.250	.020	.130	2.031	---	---
4	---	---	---	---	---	---	.150	1.750
5	9.50	.198	.118	.015	.080	---	---	---
6	---	---	---	---	---	---	.120	1.12
7	8.125	.195	.120	.015	.053	2.031	---	---
8	---	---	---	---	---	---	.073	.860



NOTES

1. PART MARKING IS OPTIONAL
2. MATERIAL: 300 SERIES STAINLESS STEEL, PASSIVATED

DETAILED PART NUMBER DESCRIPTIONS

- M85049/128-1 - STANDARD LENGTH, WELDED BUCKLE, FLAT
- M85049/128-2 - STANDARD LENGTH, WELDED BUCKLE, PRE-COILED
- M85049/128-3 - STANDARD LENGTH, STAMPED BUCKLE, FLAT
- M85049/128-4 - STANDARD LENGTH, STAMPED BUCKLE, PRE-COILED
- M85049/128-5 - MINI LENGTH, WELDED BUCKLE, FLAT
- M85049/128-6 - MINI LENGTH, WELDED BUCKLE, PRE-COILED
- M85049/128-7 - MINI LENGTH, STAMPED BUCKLE, FLAT
- M85049/128-8 - MINI LENGTH, STAMPED BUCKLE, PRE-COILED

DISCLAIMER

ALL INFORMATION IN THIS SPECIFICATION, INCLUDING ILLUSTRATIONS, IS BELIEVED TO BE RELIABLE. READERS, HOWEVER, SHOULD INDEPENDENTLY EVALUATE THE SUITABILITY OF EACH PRODUCT FOR THEIR APPLICATION. COMPAERO MAKES NO WARRANTIES AS TO THE ACCURACY OR COMPLETENESS OF THE INFORMATION, AND DISCLAIMS ANY LIABILITY REGARDING ITS USE. SPECIFICATIONS ARE SUBJECT TO CHANGE WITHOUT NOTICE. IN ADDITION, COMPAERO RESERVES THE RIGHT TO MAKE CHANGES—WITHOUT NOTIFICATION TO CUSTOMERS—TO PROCESSING OR MATERIALS THAT DO NOT AFFECT COMPLIANCE WITH ANY APPLICABLE SPECIFICATION.