

Compaero MS3420 Telescoping Bushings are used to increase the wire bundle diameter of a harness or to provide extra protection during strain relief. All bushings are manufactured in accordance with MIL-STD-417 (Type SC515 A₁B₁C₁E₃F₂GM).

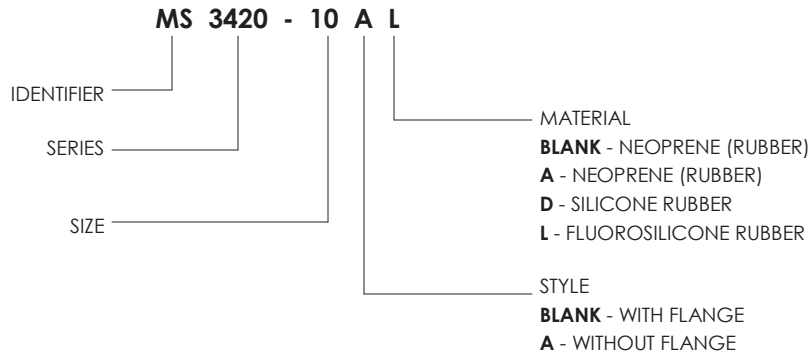
MS3420-xx are for use with MS3057 Clamps Style A and C. They can be telescoped to accommodate smaller wire bundles.

For MS3057-xxB Clamps use MS3420-xxA style bushings (without the flange). These are available in the same black rubber per MIL-STD-417.

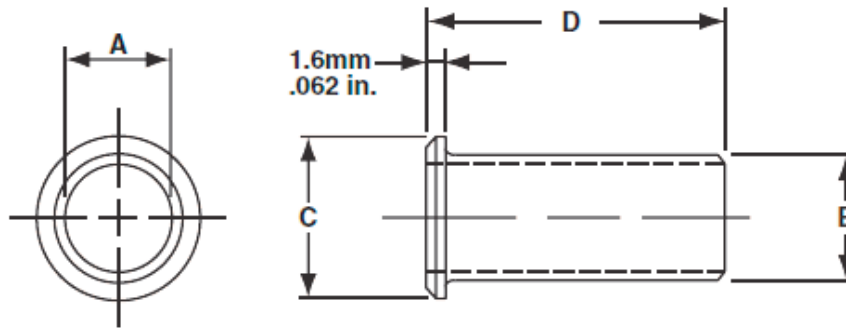
MS3420-xxA Bushings can also be used with MS3415*, MS3417* and MS3418* Clamps.

Bushings are also available in Silicone and Fluorosilicone.

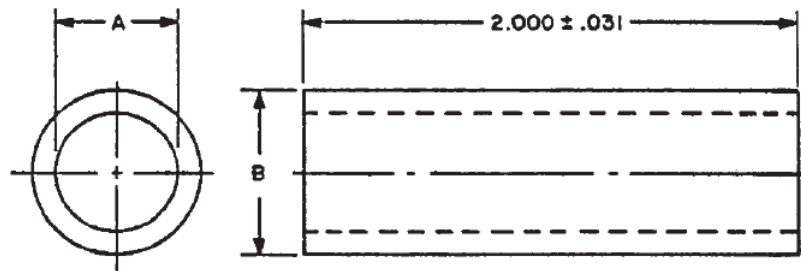
PART NUMBER BREAKDOWN



DISCLAIMER: All information is believed to be reliable. Readers should independently evaluate the suitability of each product for their application. Compaero makes no warranties as to the accuracy or completeness of the information herein and disclaims any liability regarding its use. Specifications are subject to change without notice. Compaero reserves the right to make changes, without notification to the customer, to processing or materials that do not affect compliance with any applicable specification. **Drawings are not to scale.**



Part Number	For Use With Cable Clamp		A	B	C	D
MS3420-3	MS3057-3A	MS3057-3C	0.130	0.210	0.379	2.875
MS3420-4	MS3057-4A	MS3057-4C	0.220	0.302	0.505	2.750
MS3420-6	MS3057-6A	MS3057-6C	0.312	0.427	0.619	2.625
MS3420-8	MS3057-8A	MS3057-8C	0.437	0.552	0.744	2.500
MS3420-10	MS3057-10A	MS3057-10C	0.562	0.615	0.889	2.375
MS3420-12	MS3057-12A	MS3057-12C	0.625	0.740	1.084	2.250
MS3420-16	MS3057-16A	MS3057-16C	0.750	0.927	1.314	2.125
MS3420-20	MS3057-20A	MS3057-20C	0.937	1.240	1.598	2.000
MS3420-24	MS3057-24A	MS3057-24C	1.250	1.365	1.847	1.875
MS3420-28	MS3057-28A	MS3057-28C	1.375	1.614	2.085	1.750



Part Number	For Use With Cable Clamp	A	B
MS3420-3A	MS3057-3B	0.125	0.210
MS3420-4A	MS3057-4B	0.219	0.302
MS3420-6A	MS3057-6B	0.312	0.427
MS3420-8A	MS3057-8B	0.438	0.531
MS3420-10A	MS3057-10B	0.438	0.615
MS3420-12A	MS3057-12B	0.541	0.740
MS3420-16A	MS3057-16B	0.750	0.927
MS3420-20A	MS3057-20B	0.938	1.115
MS3420-24A	MS3057-24B	0.938	1.240
MS3420-28A	MS3057-28B	1.125	1.365

DISCLAIMER: All information is believed to be reliable. Readers should independently evaluate the suitability of each product for their application. Compaero makes no warranties as to the accuracy or completeness of the information herein and disclaims any liability regarding its use. Specifications are subject to change without notice. Compaero reserves the right to make changes, without notification to the customer, to processing or materials that do not affect compliance with any applicable specification. **Drawings are not to scale.**