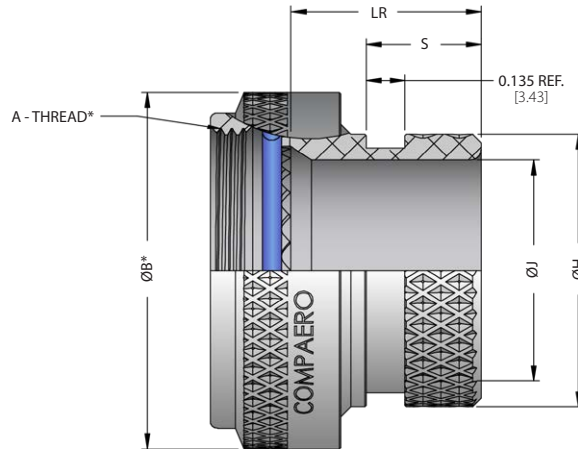


SERIES 30

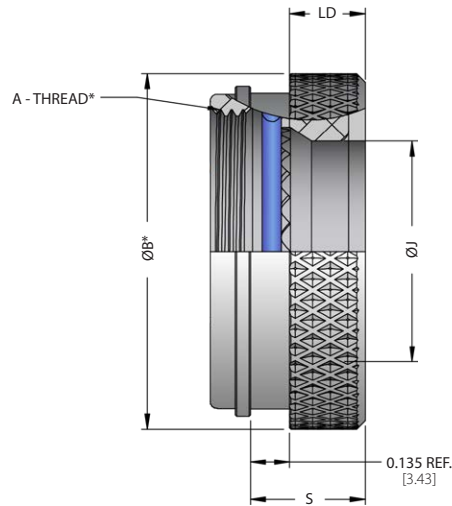
Shrink Boot Adapter Environmental, Non-Screened



Angle 1 - Straight Rotatable Coupling



Angle 1 - Straight Direct Coupling



CP A 30 1 W D - 12 - VG0

- Compaero Identifier
- Connector Interface
[Click here for details](#)
- Series Identifier
- Angle
- Material & Finish
[Click here for details](#)

- Shrink Boot Option
Omit for no boot - See website for details
- Shell Size
See table 1
- Coupling Ring Option
Omit for standard rotatable
- D - Direct coupling
- E - Seat-lock (Non-detent, self locking)
- S - Self locking (Detent, ratchet style)
- T - Safety wire holes
- W - Wrench flats
[Click here for details](#)

*Refer to interface tables
inches [millimeters]

SERIES 30

Shrink Boot Adapter Environmental, Non-Screened



Table 1 Shell Size

SHELL SIZE	ØJ MIN		ØH MAX		S REF		LR MAX		LD MAX	
	in	mm	in	mm	in	mm	in	mm	in	mm
08/09	0.250	6.4	0.53	13.5	0.41	10.3	0.85	21.6	0.50	12.8
10/11	0.375	9.5	0.61	15.4	0.41	10.3	0.85	21.6	0.50	12.8
12/13	0.375	9.5	0.77	19.7	0.41	10.3	0.85	21.6	0.50	12.8
14/15	0.438	11.1	0.84	21.3	0.41	10.3	0.85	21.6	0.50	12.8
16/17	0.563	14.3	0.96	24.5	0.41	10.3	0.85	21.6	0.50	12.8
18/19	0.625	15.9	1.04	26.5	0.41	10.3	0.85	21.6	0.50	12.8
20/21	0.750	19.1	1.22	30.9	0.41	10.3	0.85	21.6	0.50	12.8
22/23	0.875	22.2	1.36	34.4	0.41	10.3	0.85	21.6	0.50	12.8
24/25	1.000	25.4	1.44	36.7	0.41	10.3	0.85	21.6	0.50	12.8
28/29	1.188	30.2	1.63	41.3	0.41	10.3	0.85	21.6	0.50	12.8
32/33	1.438	36.5	1.88	47.6	0.56	14.3	1.01	25.8	0.66	16.7
36	1.625	41.3	2.06	52.4	0.56	14.3	1.01	25.8	0.66	16.7
40	1.875	47.6	2.31	58.7	0.56	14.3	1.01	25.8	0.66	16.7
44	2.313	58.7	2.56	65.1	0.56	14.3	1.01	25.8	0.66	16.7
48	2.563	65.1	2.81	71.4	0.56	14.3	1.01	25.8	0.66	16.7
61	1.188	30.2	1.44	36.5	0.56	14.3	1.01	25.8	0.66	16.7

inches millimeters
Tolerance ±0.01±0.25

INTERFACE TABLES

Reference tables for standard series

A INTERFACE

SHELL SIZE	A THREAD	ØB MAX		C MAX		D MAX		E MAX		MAX ENTRY
		in	mm	in	mm	in	mm	in	mm	
08	1/2-20 UNF	0.69	17.6	0.54	13.6	0.65	16.5	0.92	23.4	02
10	5/8-24 UNEF	0.81	20.5	0.57	14.4	0.70	17.9	1.03	26.3	03
12	3/4-20 UNEF	0.94	24.0	0.58	14.8	0.77	19.6	1.16	29.4	04
14	7/8-20 UNEF	1.07	27.1	0.60	15.3	0.84	21.4	1.22	30.9	34
16	1-20 UNEF	1.24	31.6	0.63	15.9	0.90	22.9	1.34	34.1	35
18	1 1/16-18 UNEF	1.32	33.4	0.64	16.4	0.93	23.6	1.40	35.4	06
20	1 3/16-18 UNEF	1.44	36.6	0.67	17.0	0.99	25.2	1.52	38.6	07
22	1 5/16-18 UNEF	1.57	39.8	0.70	17.7	1.06	26.8	1.65	41.8	08
24	1 7/16-18 UNEF	1.69	43.0	0.73	18.5	1.12	28.4	1.77	45.0	09
28	1 3/4-18 UNS	2.00	50.9	0.83	21.2	1.28	32.6	2.06	52.4	11
32	2-18 UNS	2.25	57.2	0.89	22.6	1.41	35.8	2.31	58.7	13
36	2 1/4-16 UN	2.50	63.6	0.93	23.7	1.53	39.0	2.53	64.3	14
40	2 1/2-16UN	2.75	69.9	1.01	25.6	1.66	42.1	2.78	70.6	16
44	2 3/4-16UN	3.00	76.3	1.06	26.9	1.78	45.3	3.03	77.0	-
48	3-16UN	3.25	82.6	1.11	28.2	1.91	48.5	3.28	83.3	-
61	1 1/2-18UNEF	1.75	44.5	0.77	19.4	1.16	29.4	1.84	46.8	09

BA INTERFACE

ADAPTER SHELL SIZE	CONNECTOR SHELL SIZE	A THREAD	ØB MAX		C MAX		D MAX		E MAX		MAX ENTRY
			in	mm	in	mm	in	mm	in	mm	
08	85	7/16-27UNS	0.75	19.2	0.59	15.0	0.72	18.3	1.02	25.9	32
10	10S	1/2-28UNEF	0.82	20.8	0.60	15.4	0.75	19.1	1.08	27.5	03
11	10SL	5/8-24UNEF	0.94	23.9	0.63	16.0	0.81	20.7	1.21	30.6	04
12	12, 12S	11/16-24UNEF	1.02	25.9	0.64	16.3	0.84	21.5	1.27	32.2	34
14	14, 14S	3/4-20UNEF	1.08	27.5	0.66	16.7	0.88	22.2	1.33	33.8	05
16	16, 16S	7/8-20UNEF	1.27	32.3	0.71	18.1	0.97	24.6	1.49	37.8	06
18	18	1-20UNEF	1.40	35.4	0.74	18.8	1.03	26.2	1.61	40.9	36
20	20	1 1/8-18UNEF	1.52	38.6	0.77	19.4	1.09	27.8	1.74	44.1	08
22	22	1 1/4-18UNEF	1.65	41.8	0.79	20.1	1.16	29.4	1.86	47.3	09
24	24	1 3/8-18UNEF	1.85	46.9	0.85	21.5	1.25	31.8	2.02	51.3	10
28	28	1 5/8-18UNEF	1.97	50.1	0.87	22.2	1.31	33.4	2.14	54.4	11
32	32	1 29/32-18UN	2.22	56.4	0.93	23.5	1.44	36.5	2.39	60.8	13
36	36	2 1/8-18UNS	2.55	64.8	1.01	25.6	1.59	40.5	2.67	67.9	15
40	40	2 3/8-16UN	2.80	71.2	1.06	26.9	1.72	43.7	2.92	74.3	-
44	44	2 5/8-16UN	3.05	77.5	1.11	28.3	1.84	46.9	3.17	80.6	-
48	48	2 7/8-16UN	3.38	85.9	1.20	30.4	2.00	50.8	3.46	87.8	-

BC INTERFACE

ADAPTER SHELL SIZE	CONNECTOR SHELL SIZE	A THREAD	ØB MAX		C MAX		D MAX		E MAX		MAX ENTRY
			in	mm	in	mm	in	mm	in	mm	
08	85	7/16-28UNEF	0.75	19.2	0.59	15.0	0.72	18.3	1.02	25.9	32
10	10S	1/2-28UNEF	0.82	20.8	0.60	15.4	0.75	19.1	1.08	27.5	03
11	10SL	9/16-24UNEF	0.88	22.3	0.62	15.7	0.78	19.9	1.14	29.0	33
12	12, 12S	5/8-24UNEF	0.94	23.9	0.63	16.0	0.81	20.7	1.21	30.6	04
14	14, 14S	3/4-20UNEF	1.08	27.5	0.66	16.7	0.88	22.2	1.33	33.8	34
16	16, 16S	7/8-20UNEF	1.27	32.3	0.71	18.1	0.97	24.6	1.49	37.8	35
18	18	1-20UNEF	1.40	35.4	0.74	18.8	1.03	26.2	1.61	40.9	36
20	20	1 1/8-18UNEF	1.52	38.6	0.77	19.4	1.09	27.8	1.74	44.1	37
22	22	1 1/4-18UNEF	1.65	41.8	0.79	20.1	1.16	29.4	1.86	47.3	38
24	24	1 3/8-18UNEF	1.85	46.9	0.85	21.5	1.25	31.8	2.02	51.3	09
28	28	1 5/8-18UNEF	1.97	50.1	0.87	22.2	1.31	33.4	2.14	54.4	11
32	32	1 7/8-16UN	2.22	56.4	0.93	23.5	1.44	36.5	2.39	60.8	13
36	36	2 1/8-16UN	2.55	64.8	1.01	25.6	1.59	40.5	2.67	67.9	15
40	40	2 3/8-16UN	2.80	71.2	1.06	26.9	1.72	43.7	2.92	74.3	-
44	44	2 5/8-16UN	3.05	77.5	1.11	28.3	1.84	46.9	3.17	80.6	-
48	48	2 13/16-18UNS	3.38	85.9	1.20	30.4	2.00	50.8	3.46	87.8	-

BB INTERFACE

ADAPTER SHELL SIZE	CONNECTOR SHELL SIZE	A THREAD	ØB MAX		C MAX		D MAX		E MAX		MAX ENTRY
			in	mm	in	mm	in	mm	in	mm	
08	85	3/8-32UNEF	0.69	17.6	0.58	14.7	0.69	17.5	0.96	24.3	02
10	10S	1/2-28UNEF	0.82	20.8	0.60	15.4	0.75	19.1	1.08	27.5	03
11	10SL	5/8-24UNEF	0.94	23.9	0.63	16.0	0.81	20.7	1.21	30.6	04
12	12, 12S	5/8-24UNEF	0.94	23.9	0.63	16.0	0.81	20.7	1.21	30.6	04
14	14, 14S	3/4-20UNEF	1.08	27.5	0.66	16.7	0.88	22.2	1.33	33.8	05
16	16, 16S	7/8-20UNEF	1.27	32.3	0.71	18.1	0.97	24.6	1.49	37.8	06
18	18	1-20UNEF	1.40	35.4	0.74	18.8	1.03	26.2	1.61	40.9	36
20	20	1 1/8-18UNEF	1.52	38.6	0.77	19.4	1.09	27.8	1.74	44.1	08
22	22	1 1/4-18UNEF	1.65	41.8	0.79	20.1	1.16	29.4	1.86	47.3	09
24	24	1 3/8-18UNEF	1.85	46.9	0.85	21.5	1.25	31.8	2.02	51.3	10
28	28	1 5/8-18UNEF	1.97	50.1	0.87	22.2	1.31	33.4	2.14	54.4	11
32	32	1 7/8-16UN	2.22	56.4	0.93	23.5	1.44	36.5	2.39	60.8	13
36	36	2 1/16-16UNS	2.55	64.8	1.01	25.6	1.59	40.5	2.67	67.9	15
40	40	2 5/16-16UNS	2.80	71.2	1.06	26.9	1.72	43.7	2.92	74.3	-
44	44	2 5/8-16UN	3.05	77.5	1.11	28.3	1.84	46.9	3.17	80.6	-
48	48	2 5/8-16UN	3.05	77.5	1.11	28.3	1.84	46.9	3.17	80.6	-

BR INTERFACE

ADAPTER SHELL SIZE	CONNECTOR SHELL SIZE	A THREAD	ØB MAX		C MAX		D MAX		E MAX		MAX ENTRY
			in	mm	in	mm	in	mm	in	mm	
08	85	7/16-27UNS	0.75	19.2	0.59	15.0	0.72	18.3	1.02	25.9	32
10	10S	1/2-28UNEF	0.82	20.8	0.60	15.4	0.75	19.1	1.08	27.5	03
11	10SL	5/8-24UNEF	0.94	23.9	0.63	16.0	0.81	20.7	1.21	30.6	04
12	12, 12S	11/16-24UNEF	1.02	25.9	0.64	16.3	0.84	21.5	1.27	32.2	34
14	14, 14S	3/4-20UNEF	1.08	27.5	0.66	16.7	0.88	22.2	1.33	33.8	05
16	16, 16S	7/8-20UNEF	1.27	32.3	0.71	18.1	0.97	24.6	1.49	37.8	06
18	18	1-20UNEF	1.40	35.4	0.74	18.8	1.03	26.2	1.61	40.9	36
20	20	1 1/8-24UNS	1.52	38.6	0.77	19.4	1.09	27.8	1.74	44.1	08
22	22	1 1/4-18UNEF	1.65	41.8	0.79	20.1	1.16	29.4	1.86	47.3	09
24	24	1 3/8-18UNEF	1.85	46.9	0.85	21.5	1.25	31.8	2.02	51.3	10
28	28	1 5/8-18UNEF	1.97	50.1	0.87	22.2	1.31	33.4	2.14	54.4	11
32	32	1 29/32-18UN	2.22	56.4	0.93	23.5	1.44	36.5	2.39	60.8	13
36	36	2 1/16-20UNS	2.55	64.8	1.01	25.6	1.59	40.5	2.67	67.9	15
40	40	2 3/8-16UN	2.80	71.2	1.06	26.9	1.72	43.7	2.92	74.3	-
44	44	2 5/8-16UN	3.05	77.5	1.11	28.3	1.84	46.9	3.17	80.6	-
48	48	2 7/8-16UN	3.38	85.9	1.20	30.4	2.00	50.8	3.46	87.8	-

DK INTERFACE

SHELL SIZE	A THREAD	ØB MAX		C MAX		D MAX		E MAX		MAX ENTRY
		in	mm	in	mm	in	mm	in	mm	
08	7/16-28UNEF	0.68	17.3	0.57	14.4	0.72	18.2	1.00	25.5	02
10	9/16-24UNEF	0.80	20.3	0.59	14.9	0.86	21.8	1.16	29.5	03
12	11/16-24UNEF	0.94	23.8	0.62	15.7	0.83	21.0	1.26	32.0	04
14	13/16-20UNEF	1.06	26.8	0.65	16.5	0.92	23.4	1.40	35.5	05
16	15/16-20UNEF	1.17	29.8	0.66	16.8	0.96	24.5	1.52	38.5	06
18	1 1/16-18UNEF	1.31	33.3	0.70	17.8	1.04	26.5	1.65	42.0	07
20	1 3/16-18UNEF	1.43	36.3	0.71	18.1	1.12	28.5	1.79	45.5	08
22	1 5/16-18UNEF	1.57	39.8	0.73	18.5	1.18	30.0	1.91	48.5	09
24	1 7/16-18UNEF	1.69	42.8	0.78	19.7	1.24	31.5	2.03	51.5	10

F INTERFACE

SHELL SIZE	A THREAD	ØB MAX		C MAX		D MAX		E MAX		MAX ENTRY
		in	mm	in	mm	in	mm	in	mm	
08	7/16-28UNEF	0.66	16.8	0.50	12.7	0.60	15.3	0.87	22.1	02
10	9/16-24UNEF	0.80	20.3	0.52	13.3	0.67	16.9	1.00	25.3	03
12	11/16-24UNEF	0.92	23.4	0.55	13.9	0.73	18.5	1.12	28.4	04
14	13/16-20UNEF	1.06	26.8	0.58	14.7	0.79	20.1	1.25	31.6	05
16	15/16-20UNEF	1.18	30.0	0.60	15.4	0.85	21.7	1.37	34.8	06
18	1 1/16-18UNEF	1.31	33.3	0.61	15.4	0.92	23.2	1.50	38.0	07
20	1 3/16-18UNEF	1.44	36.5	0.66	16.7	0.98	24.8	1.62	41.1	08
22	1 5/16-18UNEF	1.56	39.7	0.68	17.4	1.04	26.4	1.75	44.3	09
24	1 7/16-18UNEF	1.69	42.9	0.68	17.4	1.10	28.0	1.87</		