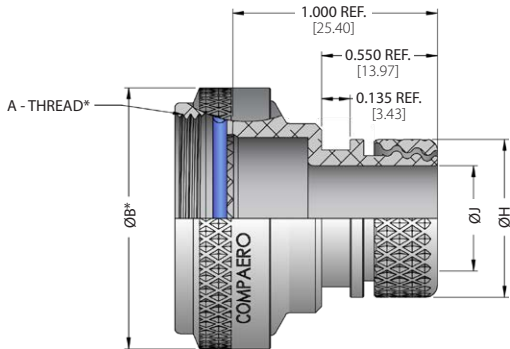


# SERIES 31

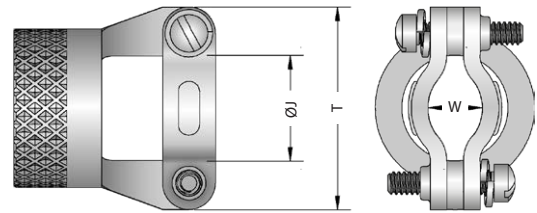
EMI/RFI Lamp Base Thread Environmental, Screened

COMPAERO

## Angle 1 - Straight Rotatable Coupling

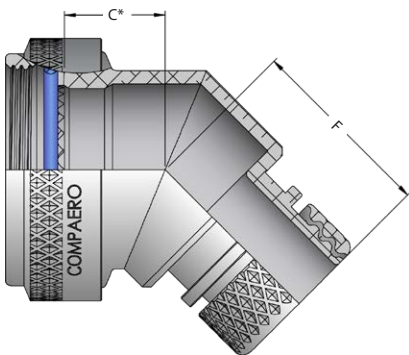


### Clamp Option - SR Clamp

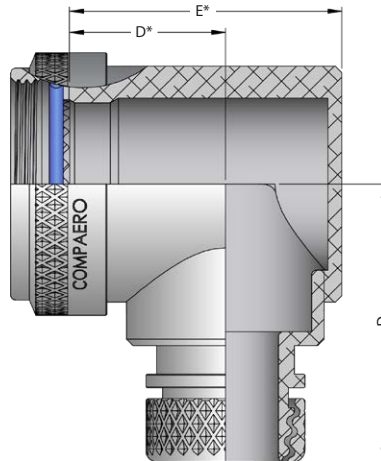


Only available on entry sizes 31-10

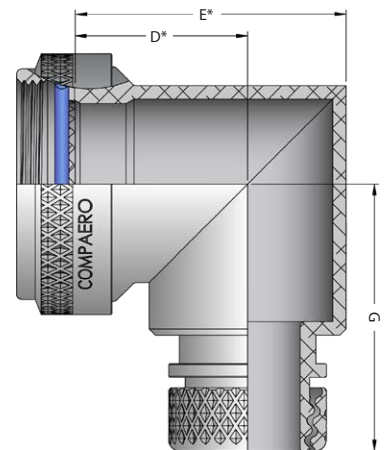
## Angle 4 - 45 Degree



## Angle 8 - 90 Degree



## Angle 9 90 Degree Miter Cut



## CPA 31 1 W D - 12 03 - VG0 - SR

**Compaero Identifier**

**Connector Interface**

[Click here for details](#)

**Series Identifier**

**Angle**

**Material & Finish**

[Click here for details](#)

**Coupling Ring Option**

Omit for standard rotatable

**D** - Direct coupling

**E** - Seat-lock (Non-detent, self locking)

**S** - Self locking (Detent, ratchet style)

**T** - Safety wire holes

**W** - Wrench flats

[Click here for details](#)

**Strain Relief Option**

Omit for standard E-Nut

Use SR for clamp style

**Shrink Boot Option**

Omit for no boot - See website for details

**Cable Entry**

See table 2

**Shell Size**

See table 1

\*Refer to interface tables  
inches [millimeters]

WWW.COMPAERO.COM

THIS DRAWING IS THE PROPERTY OF COMPAERO, INC AND MUST NOT BE USED FOR COMMERCIAL PURPOSES WITHOUT WRITTEN CONSENT OF THE COMPANY. DRAWING CORRECT AT TIME OF PUBLISHING.

Series31/Rev1

# SERIES 31

EMI/RFI Lamp Base Thread Environmental, Screened



**Table 1** Shell Size

SHELL SIZE	F MAX	G MAX
	in mm	in mm
08/09	0.83 21.1	1.10 27.9
10/11	0.86 21.8	1.17 29.7
12/13	0.88 22.4	1.23 31.2
14/15	0.91 23.1	1.29 32.8
16/17	0.93 23.6	1.35 34.3
18/19	0.95 24.1	1.38 35.1
20/21	0.97 24.6	1.45 36.8
22/23	1.00 25.4	1.51 38.4
24/25	1.02 25.9	1.57 39.9
28/29	1.05 26.7	1.63 41.4
32/33	1.10 27.9	1.76 44.7
36	1.14 29.0	1.85 47.0
40	1.19 30.2	1.98 50.3
44	1.24 31.5	2.10 53.3
48	1.30 33.0	2.23 56.6
61	1.01 25.7	1.54 39.1

**Table 2** Entry Size

ENTRY SIZE	ØH MAX	ØJ	T MAX	W REF
	in mm	in mm	in mm	in mm
01	0.40 10.0	0.125 3.2	n/a	n/a
31	0.46 11.6	0.188 4.8	0.68 17.3	0.12 3.0
02	0.52 13.2	0.250 6.4	0.74 18.9	0.13 3.4
32	0.58 14.8	0.313 7.9	0.81 20.5	0.20 5.0
03	0.65 16.4	0.375 9.5	0.87 22.1	0.22 5.5
33	0.71 18.0	0.438 11.1	0.93 23.6	0.24 6.0
04	0.77 19.6	0.500 12.7	0.99 25.1	0.26 6.5
34	0.83 21.1	0.563 14.3	1.06 26.8	0.38 9.7
05	0.90 22.7	0.625 15.9	1.12 28.4	0.41 10.4
35	0.96 24.3	0.688 17.5	1.19 30.1	0.45 11.5
06	1.02 25.9	0.750 19.1	1.24 31.6	0.45 11.4
36	1.08 27.5	0.813 20.6	1.30 33.1	0.55 14.0
07	1.15 29.1	0.875 22.2	1.37 34.8	0.61 15.4
37	1.21 30.7	0.938 23.8	1.44 36.5	0.66 16.8
08	1.27 32.3	1.000 25.4	1.49 37.9	0.68 17.3
38	1.33 33.8	1.063 27.0	1.56 39.5	0.74 18.8
09	1.40 35.4	1.125 28.6	1.62 41.1	0.77 19.5
10	1.52 38.6	1.250 31.8	1.74 44.3	0.92 23.4
11	1.65 41.8	1.375 34.9	n/a	n/a
12	1.77 45.0	1.500 38.1	n/a	n/a
13	1.90 48.1	1.625 41.3	n/a	n/a
14	2.02 51.3	1.750 44.5	n/a	n/a
15	2.15 54.5	1.875 47.6	n/a	n/a
16	2.27 57.7	2.000 50.8	n/a	n/a

inches millimeters  
Tolerance ±0.01±0.25

