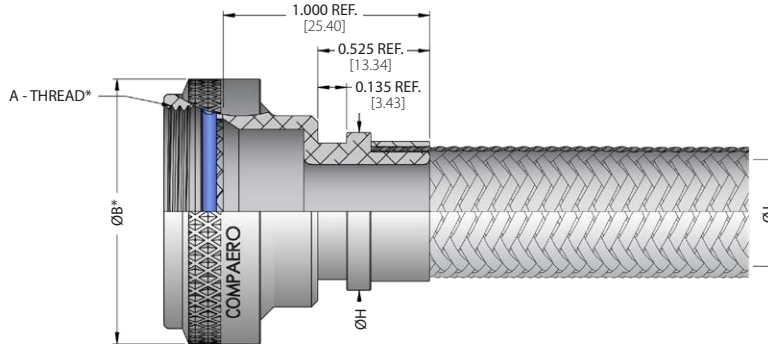


# SERIES 35

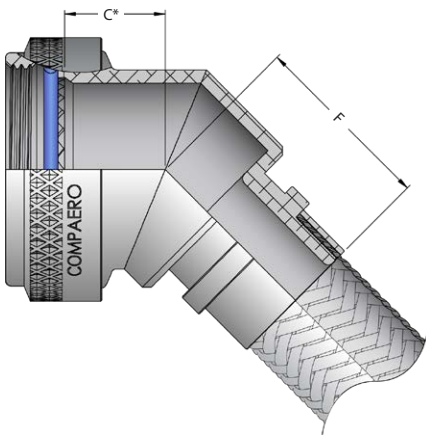
Shield Sock Shrink Boot Adapter Environmental, Screened



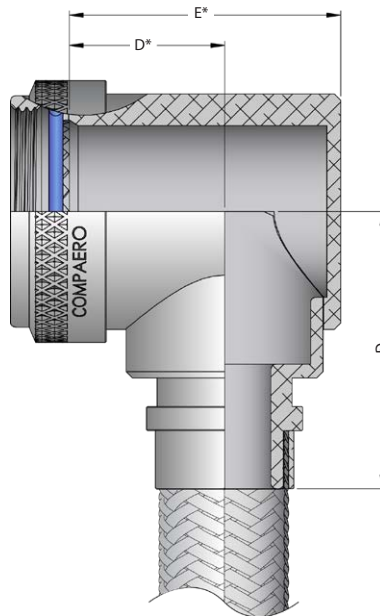
## Angle 1 - Straight Rotatable Coupling



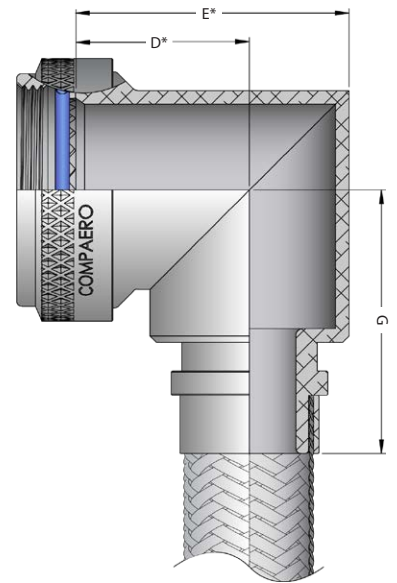
## Angle 4 - 45 Degree



## Angle 8 - 90 Degree



## Angle 9 90 Degree Miter Cut



### CP A 35 1 W D - 12 03 - VG0 - 6

**Compaero Identifier**

**Connector Interface**

[Click here for details](#)

**Series Identifier**

**Angle**

**Material & Finish**

[Click here for details](#)

**Coupling Ring Option**

Omit for standard rotatable

**D** - Direct coupling

**E** - Seat-lock (Non-detent, self locking)

**S** - Self locking (Detent, ratchet style)

**T** - Safety wire holes

**W** - Wrench flats

[Click here for details](#)

**Shield Length**

Supplied in 1 Inch increments  
-6 (6") as standard

**Shrink Boot Option**

Omit for no boot - See website for details

**Cable Entry**

See table 2

**Shell Size**

See table 1

\*Refer to interface tables  
**inches** [millimeters]

# SERIES 35

Shield Sock Shrink Boot Adapter Environmental, Screened



**Table 1** Shell Size

SHELL SIZE	F MAX	G MAX
	in mm	in mm
08/09	0.81 20.6	1.10 27.9
10/11	0.83 21.1	1.17 29.7
12/13	0.86 21.8	1.23 31.2
14/15	0.88 22.4	1.29 32.8
16/17	0.91 23.1	1.35 34.3
18/19	0.92 23.4	1.38 35.1
20/21	0.95 24.1	1.45 36.8
22/23	0.97 24.6	1.51 38.4
24/25	1.00 25.4	1.57 39.9
28/29	1.03 26.2	1.63 41.4
32/33	1.08 27.4	1.76 44.7
36	1.12 28.4	1.85 47.0
40	1.17 29.7	1.98 50.3
44	1.22 31.0	2.10 53.3
48	1.27 32.3	2.23 56.6
61	0.99 25.1	1.54 39.1

**Table 2** Entry Size

ENTRY	ØH MAX	ØJ
	in mm	in mm
01	0.445 11.3	0.125 3.2
31	0.508 12.9	0.188 4.8
02	0.570 14.5	0.250 6.4
32	0.633 16.1	0.313 7.9
03	0.695 17.7	0.375 9.5
33	0.758 19.2	0.438 11.1
04	0.820 20.8	0.500 12.7
34	0.883 22.4	0.563 14.3
05	0.945 24.0	0.625 15.9
35	1.008 25.6	0.688 17.5
06	1.070 27.2	0.750 19.1
36	1.133 28.8	0.813 20.6
07	1.195 30.4	0.875 22.2
37	1.258 31.9	0.938 23.8
08	1.320 33.5	1.000 25.4
38	1.383 35.1	1.063 27.0
09	1.445 36.7	1.125 28.6
10	1.570 39.9	1.250 31.8
11	1.695 43.1	1.375 34.9
12	1.820 46.2	1.500 38.1
13	1.945 49.4	1.625 41.3
14	2.070 52.6	1.750 44.5
15	2.195 55.8	1.875 47.6
16	2.320 58.9	2.000 50.8

inches millimeters  
Tolerance ±0.01±0.25

# INTERFACE TABLES

Reference tables for standard series

SHELL SIZE	A THREAD	ØB MAX		C MAX		D MAX		E MAX		MAX ENTRY
		in	mm	in	mm	in	mm	in	mm	
08	1/2-20 UNF	0.69	17.6	0.54	13.6	0.65	16.5	0.92	23.4	02
10	5/8-24 UNEF	0.81	20.5	0.57	14.4	0.70	17.9	1.03	26.3	03
12	3/4-20 UNEF	0.94	24.0	0.58	14.8	0.77	19.6	1.16	29.4	04
14	7/8-20 UNEF	1.07	27.1	0.60	15.3	0.84	21.4	1.22	30.9	34
16	1-20 UNEF	1.24	31.6	0.63	15.9	0.90	22.9	1.34	34.1	35
18	1 1/16-18 UNEF	1.32	33.4	0.64	16.4	0.93	23.6	1.40	35.4	06
20	1 3/16-18 UNEF	1.44	36.6	0.67	17.0	0.99	25.2	1.52	38.6	07
22	1 5/16-18 UNEF	1.57	39.8	0.70	17.7	1.06	26.8	1.65	41.8	08
24	1 7/16-18 UNEF	1.69	43.0	0.73	18.5	1.12	28.4	1.77	45.0	09
28	1 3/4-18 UNS	2.00	50.9	0.83	21.2	1.28	32.6	2.06	52.4	11
32	2-18 UNS	2.25	57.2	0.89	22.6	1.41	35.8	2.31	58.7	13
36	2 1/4-16 UN	2.50	63.6	0.93	23.7	1.53	39.0	2.53	64.3	14
40	2 1/2-16 UN	2.75	69.9	1.01	25.6	1.66	42.1	2.78	70.6	16
44	2 3/4-16 UN	3.00	76.3	1.06	26.9	1.78	45.3	3.03	77.0	-
48	3-16 UN	3.25	82.6	1.11	28.2	1.91	48.5	3.28	83.3	-
61	1 1/2-18 UNEF	1.75	44.5	0.77	19.4	1.16	29.4	1.84	46.8	09

ADAPTER SHELL SIZE	CONNECTOR SHELL SIZE	A THREAD	ØB MAX		C MAX		D MAX		E MAX		MAX ENTRY
			in	mm	in	mm	in	mm	in	mm	
08	85	7/16-27UNS	0.75	19.2	0.59	15.0	0.72	18.3	1.02	25.9	32
10	10S	1/2-28UNEF	0.82	20.8	0.60	15.4	0.75	19.1	1.08	27.5	03
11	10SL	5/8-24UNEF	0.94	23.9	0.63	16.0	0.81	20.7	1.21	30.6	04
12	12, 12S	11/16-24UNEF	1.02	25.9	0.64	16.3	0.84	21.5	1.27	32.2	34
14	14, 14S	3/4-20UNEF	1.08	27.5	0.66	16.7	0.88	22.2	1.33	33.8	05
16	16, 16S	7/8-20UNEF	1.27	32.3	0.71	18.1	0.97	24.6	1.49	37.8	06
18	18	1-20UNEF	1.40	35.4	0.74	18.8	1.03	26.2	1.61	40.9	36
20	20	1 1/8-18UNEF	1.52	38.6	0.77	19.4	1.09	27.8	1.74	44.1	08
22	22	1 1/4-18UNEF	1.65	41.8	0.79	20.1	1.16	29.4	1.86	47.3	09
24	24	1 3/8-18UNEF	1.85	46.9	0.85	21.5	1.25	31.8	2.02	51.3	10
28	28	1 5/8-18UNEF	1.97	50.1	0.87	22.2	1.31	33.4	2.14	54.4	11
32	32	1 29/32-18UN	2.22	56.4	0.93	23.5	1.44	36.5	2.39	60.8	13
36	36	2 1/8-18UNS	2.55	64.8	1.01	25.6	1.59	40.5	2.67	67.9	15
40	40	2 3/8-16UN	2.80	71.2	1.06	26.9	1.72	43.7	2.92	74.3	-
44	44	2 5/8-16UN	3.05	77.5	1.11	28.3	1.84	46.9	3.17	80.6	-
48	48	2 7/8-16UN	3.38	85.9	1.20	30.4	2.00	50.8	3.46	87.8	-

ADAPTER SHELL SIZE	CONNECTOR SHELL SIZE	A THREAD	ØB MAX		C MAX		D MAX		E MAX		MAX ENTRY
			in	mm	in	mm	in	mm	in	mm	
08	85	7/16-28UNEF	0.75	19.2	0.59	15.0	0.72	18.3	1.02	25.9	32
10	10S	1/2-28UNEF	0.82	20.8	0.60	15.4	0.75	19.1	1.08	27.5	03
11	10SL	9/16-24UNEF	0.88	22.3	0.62	15.7	0.78	19.9	1.14	29.0	33
12	12, 12S	5/8-24UNEF	0.94	23.9	0.63	16.0	0.81	20.7	1.21	30.6	04
14	14, 14S	3/4-20UNEF	1.08	27.5	0.66	16.7	0.88	22.2	1.33	33.8	34
16	16, 16S	7/8-20UNEF	1.27	32.3	0.71	18.1	0.97	24.6	1.49	37.8	35
18	18	1-20UNEF	1.40	35.4	0.74	18.8	1.03	26.2	1.61	40.9	36
20	20	1 1/8-18UNEF	1.52	38.6	0.77	19.4	1.09	27.8	1.74	44.1	37
22	22	1 1/4-18UNEF	1.65	41.8	0.79	20.1	1.16	29.4	1.86	47.3	38
24	24	1 3/8-18UNEF	1.85	46.9	0.85	21.5	1.25	31.8	2.02	51.3	09
28	28	1 5/8-18UNEF	1.97	50.1	0.87	22.2	1.31	33.4	2.14	54.4	11
32	32	1 7/8-16UN	2.22	56.4	0.93	23.5	1.44	36.5	2.39	60.8	13
36	36	2 1/8-16UN	2.55	64.8	1.01	25.6	1.59	40.5	2.67	67.9	15
40	40	2 3/8-16UN	2.80	71.2	1.06	26.9	1.72	43.7	2.92	74.3	-
44	44	2 5/8-16UN	3.05	77.5	1.11	28.3	1.84	46.9	3.17	80.6	-
48	48	2 13/16-18UNS	3.38	85.9	1.20	30.4	2.00	50.8	3.46	87.8	-

ADAPTER SHELL SIZE	CONNECTOR SHELL SIZE	A THREAD	ØB MAX		C MAX		D MAX		E MAX		MAX ENTRY
			in	mm	in	mm	in	mm	in	mm	
08	85	3/8-32UNEF	0.69	17.6	0.58	14.7	0.69	17.5	0.96	24.3	02
10	10S	1/2-28UNEF	0.82	20.8	0.60	15.4	0.75	19.1	1.08	27.5	03
11	10SL	5/8-24UNEF	0.94	23.9	0.63	16.0	0.81	20.7	1.21	30.6	04
12	12, 12S	5/8-24UNEF	0.94	23.9	0.63	16.0	0.81	20.7	1.21	30.6	04
14	14, 14S	3/4-20UNEF	1.08	27.5	0.66	16.7	0.88	22.2	1.33	33.8	05
16	16, 16S	7/8-20UNEF	1.27	32.3	0.71	18.1	0.97	24.6	1.49	37.8	06
18	18	1-20UNEF	1.40	35.4	0.74	18.8	1.03	26.2	1.61	40.9	36
20	20	1 1/8-18UNEF	1.52	38.6	0.77	19.4	1.09	27.8	1.74	44.1	08
22	22	1 1/4-18UNEF	1.65	41.8	0.79	20.1	1.16	29.4	1.86	47.3	09
24	24	1 3/8-18UNEF	1.85	46.9	0.85	21.5	1.25	31.8	2.02	51.3	10
28	28	1 5/8-18UNEF	1.97	50.1	0.87	22.2	1.31	33.4	2.14	54.4	11
32	32	1 7/8-16UN	2.22	56.4	0.93	23.5	1.44	36.5	2.39	60.8	13
36	36	2 1/16-16UNS	2.55	64.8	1.01	25.6	1.59	40.5	2.67	67.9	15
40	40	2 5/16-16UNS	2.80	71.2	1.06	26.9	1.72	43.7	2.92	74.3	-
44	44	2 5/8-16UN	3.05	77.5	1.11	28.3	1.84	46.9	3.17	80.6	-
44	44	2 5/8-16UN	3.05	77.5	1.11	28.3	1.84	46.9	3.17	80.6	-

ADAPTER SHELL SIZE	CONNECTOR SHELL SIZE	A THREAD	ØB MAX		C MAX		D MAX		E MAX		MAX ENTRY
			in	mm	in	mm	in	mm	in	mm	
08	85	7/16-27UNS	0.75	19.2	0.59	15.0	0.72	18.3	1.02	25.9	32
10	10S	1/2-28UNEF	0.82	20.8	0.60	15.4	0.75	19.1	1.08	27.5	03
11	10SL	5/8-24UNEF	0.94	23.9	0.63	16.0	0.81	20.7	1.21	30.6	04
12	12, 12S	11/16-24UNEF	1.02	25.9	0.64	16.3	0.84	21.5	1.27	32.2	34
14	14, 14S	3/4-20UNEF	1.08	27.5	0.66	16.7	0.88	22.2	1.33	33.8	05
16	16, 16S	7/8-20UNEF	1.27	32.3	0.71	18.1	0.97	24.6	1.49	37.8	06
18	18	1-20UNEF	1.40	35.4	0.74	18.8	1.03	26.2	1.61	40.9	36
20	20	1 1/8-24UNS	1.52	38.6	0.77	19.4	1.09	27.8	1.74	44.1	08
22	22	1 1/4-18UNEF	1.65	41.8	0.79	20.1	1.16	29.4	1.86	47.3	09
24	24	1 3/8-18UNEF	1.85	46.9	0.85	21.5	1.25	31.8	2.02	51.3	10
28	28	1 5/8-18UNEF	1.97	50.1	0.87	22.2	1.31	33.4	2.14	54.4	11
32	32	1 29/32-18UN	2.22	56.4	0.93	23.5	1.44	36.5	2.39	60.8	13
36	36	2 1/16-20UNS	2.55	64.8	1.01	25.6	1.59	40.5	2.67	67.9	15
40	40	2 3/8-16UN	2.80	71.2	1.06	26.9	1.72	43.7	2.92	74.3	-
44	44	2 5/8-16UN	3.05	77.5	1.11	28.3	1.84	46.9	3.17	80.6	-
48	48	2 7/8-16UN	3.38	85.9	1.20	30.4	2.00	50.8	3.46	87.8	-

SHELL SIZE	A THREAD	ØB MAX		C MAX		D MAX		E MAX		MAX ENTRY
		in	mm	in	mm	in	mm	in	mm	
08	7/16-28UNEF	0.68	17.3	0.57	14.4	0.72	18.2	1.00	25.5	02
10	9/16-24UNEF	0.80	20.3	0.59	14.9	0.86	21.8	1.16	29.5	03
12	11/16-24UNEF	0.94	23.8	0.62	15.7	0.83	21.0	1.26	32.0	04
14	13/16-20UNEF	1.06	26.8	0.65	16.5	0.92	23.4	1.40	35.5	05
16	15/16-20UNEF	1.17	29.8	0.66	16.8	0.96	24.5	1.52	38.5	06
18	1 1/16-18UNEF	1.31	33.3	0.70	17.8	1.04	26.5	1.65	42.0	07
20	1 3/16-18UNEF	1.43	36.3	0.71	18.1	1.12	28.5	1.79	45.5	08
22	1 5/16-18UNEF	1.57	39.8	0.73	18.5	1.18	30.0	1.91	48.5	09
24	1 7/16-18UNEF	1.69	42.8	0.78	19.7	1.24	31.5	2.03	51.5	10

SHELL SIZE	A THREAD	ØB MAX		C MAX		D MAX		E MAX		MAX ENTRY
		in	mm	in	mm	in	mm	in	mm	
08	7/16-28UNEF	0.66	16.8	0.50	12.7	0.60	15.3	0.87	22.1	02
10	9/16-24UNEF	0.80	20.3	0.52	13.3	0.67	16.9	1.00	25.3	03
12	11/16-24UNEF	0.92	23.4	0.55	13.9	0.73	18.5	1.12	28.4	04
14	13/16-20UNEF	1.06	26.8	0.58	14.7	0.79	20.1	1.25	31.6	05
16	15/16-20UNEF	1.18	30.0	0.60	15.4	0.85	21.7	1.37	34.8	06
18	1 1/16-18UNEF	1.31	33.3	0.61	15.4	0.92	23.2	1.50	38.0	07
20	1 3/16-18UNEF	1.44	36.5	0.66	16.7	0.98	24.8	1.62	41.1	08
22	1 5/16-18UNEF	1.56	39.7	0.68	17.4	1.04	26.4	1.75	44.3	09
24	1 7/16-18UNEF	1.69	42.9	0.68	17.4	1.10	28.0	1.87	47.5	10

SHELL SIZE
------------