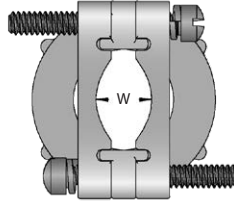
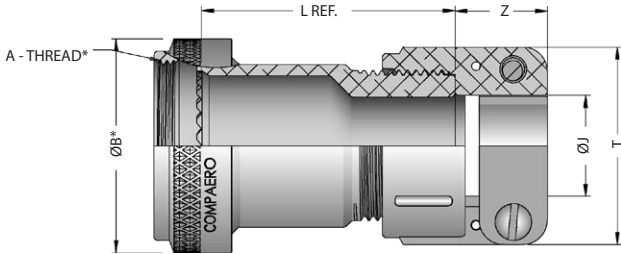


SERIES 55

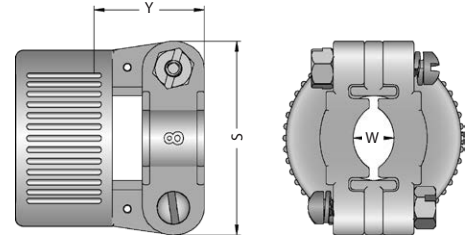
Cable Clamp Adapter Non-Environmental, Non-Screened

COMPAERO

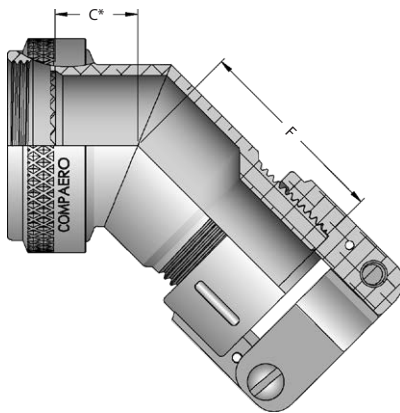
Angle 1 - Straight Rotatable Coupling, Type A Clamp



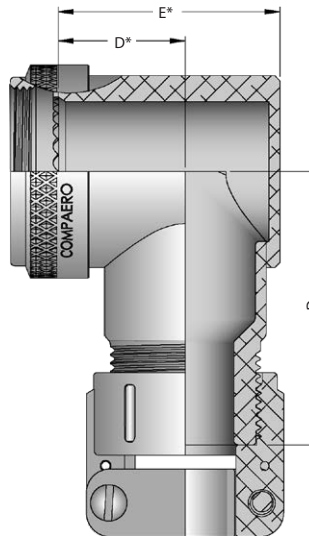
Clamp Option - Type H Clamp



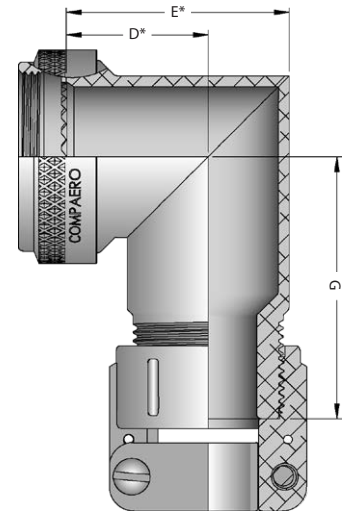
Angle 4 - 45 Degree



Angle 8 - 90 Degree



Angle 9 - 90 Degree Miter Cut



CP A 55 1 W D - 12 03 H - 10

Compaero Identifier

Connector Interface

[Click here for details](#)

Series Identifier

Angle

Material & Finish

[Click here for details](#)

Coupling Ring Option

Omit for standard rotatable

D - Direct coupling

E - Seat-lock (Non-detent, self locking)

S - Self locking (Detent, ratchet style)

T - Safety wire holes

W - Wrench flats

[Click here for details](#)

Length Option

Omit for 1.50" (Standard) & angled parts
0.25" Increments (10 = 2.50")

Cable Clamp Type

A - MS3057A (shown in drawings)

H - MS3057D

Cable Clamp Size

See table 2&3

Shell Size

See table 1

*Refer to interface tables
inches [millimeters]

WWW.COMPAERO.COM

THIS DRAWING IS THE PROPERTY OF COMPAERO, INC AND MUST NOT BE USED FOR COMMERCIAL PURPOSES WITHOUT WRITTEN CONSENT OF THE COMPANY. DRAWING CORRECT AT TIME OF PUBLISHING.

SERIES 55

Cable Clamp Adapter Non-Environmental, Non-Screened



Table 1 Shell Size

SHELL SIZE	F MAX	G MAX
	in mm	in mm
08/09	0.88 22.4	1.17 29.7
10/11	0.91 23.1	1.23 31.2
12/13	0.93 23.6	1.29 32.8
14/15	0.96 24.4	1.35 34.3
16/17	0.98 24.9	1.42 36.1
18/19	1.00 25.4	1.45 36.8
20/21	1.02 25.9	1.51 38.4
22/23	1.05 26.7	1.57 39.9
24/25	1.07 27.2	1.63 41.4
28/29	1.10 27.9	1.70 43.2
32/33	1.15 29.2	1.82 46.2
36	1.19 30.2	1.92 48.8
40	1.24 31.5	2.04 51.8
44	1.29 32.8	2.17 55.1
48	1.35 34.3	2.29 58.2
61	1.06 26.9	1.60 40.6

Table 2 Type A Clamp

ENTRY CODE	CLAMP REF	ØJ	T MAX	W REF	Z MAX
		in mm	in mm	in mm	in mm
01	CP3057-3A	0.250 6.4	0.84 21.4	0.16 4.0	0.45 11.5
02	CP3057-4A	0.312 7.9	0.91 23.0	0.19 4.8	0.45 11.5
03	CP3057-6A	0.438 11.1	1.09 27.8	0.28 7.1	0.52 13.1
04	CP3057-8A	0.563 14.3	1.19 30.1	0.34 8.7	0.58 14.7
05	CP3057-10A	0.625 15.9	1.28 32.5	0.38 9.5	0.58 14.7
06	CP3057-12A	0.750 19.1	1.50 38.1	0.44 11.1	0.58 14.7
07	CP3057-16A	0.938 23.8	1.72 43.7	0.56 14.3	0.67 17.1
08	CP3057-20A	1.250 31.8	2.06 52.4	0.75 19.1	0.67 17.1
09	CP3057-24A	1.375 34.9	2.31 58.7	0.78 19.8	0.67 17.1
10	CP3057-28A	1.625 41.3	2.72 69.1	0.97 24.6	1.20 30.6
11	CP3057-32A	1.875 47.6	2.97 75.4	1.13 28.6	1.20 30.6

Table 3 Type H Clamp

ENTRY CODE	CLAMP REF	ØJ	T MAX	W REF	Z MAX
		in mm	in mm	in mm	in mm
02	CP3057-4D	0.313 7.9	0.96 24.3	0.17 4.2	0.78 19.8
03	CP3057-6D	0.438 11.1	1.15 29.1	0.29 7.3	0.78 19.8
04	CP3057-8D	0.563 14.3	1.33 33.8	0.34 8.7	0.78 19.8
05	CP3057-10D	0.625 15.9	1.33 33.8	0.37 9.5	0.78 19.8
06	CP3057-12D	0.750 19.1	1.55 39.4	0.52 13.2	0.81 20.6
07	CP3057-16D	0.938 23.8	1.77 45.0	0.64 16.3	0.91 23.0
08	CP3057-20D	1.250 31.8	2.11 53.7	0.86 21.7	1.09 27.7
09	CP3057-24D	1.375 34.9	2.36 60.0	0.99 25.1	1.12 28.5
10	CP3057-28D	1.625 41.3	2.77 70.4	1.26 32.1	1.40 35.5
11	CP3057-32D	1.875 47.6	3.02 76.7	1.42 36.0	1.40 35.5

inches millimeters
Tolerance ±0.01±0.25

INTERFACE TABLES

Reference tables for standard series

SHELL SIZE	A THREAD	ØB MAX		C MAX		D MAX		E MAX		MAX ENTRY
		in	mm	in	mm	in	mm	in	mm	
08	1/2-20 UNF	0.69	17.6	0.54	13.6	0.65	16.5	0.92	23.4	02
10	5/8-24 UNEF	0.81	20.5	0.57	14.4	0.70	17.9	1.03	26.3	03
12	3/4-20 UNEF	0.94	24.0	0.58	14.8	0.77	19.6	1.16	29.4	04
14	7/8-20 UNEF	1.07	27.1	0.60	15.3	0.84	21.4	1.22	30.9	34
16	1-20 UNEF	1.24	31.6	0.63	15.9	0.90	22.9	1.34	34.1	35
18	1 1/16-18 UNEF	1.32	33.4	0.64	16.4	0.93	23.6	1.40	35.4	06
20	1 3/16-18 UNEF	1.44	36.6	0.67	17.0	0.99	25.2	1.52	38.6	07
22	1 5/16-18 UNEF	1.57	39.8	0.70	17.7	1.06	26.8	1.65	41.8	08
24	1 7/16-18 UNEF	1.69	43.0	0.73	18.5	1.12	28.4	1.77	45.0	09
28	1 3/4-18 UNS	2.00	50.9	0.83	21.2	1.28	32.6	2.06	52.4	11
32	2-18 UNS	2.25	57.2	0.89	22.6	1.41	35.8	2.31	58.7	13
36	2 1/4-16 UN	2.50	63.6	0.93	23.7	1.53	39.0	2.53	64.3	14
40	2 1/2-16UN	2.75	69.9	1.01	25.6	1.66	42.1	2.78	70.6	16
44	2 3/4-16UN	3.00	76.3	1.06	26.9	1.78	45.3	3.03	77.0	-
48	3-16UN	3.25	82.6	1.11	28.2	1.91	48.5	3.28	83.3	-
61	1 1/2-18UNEF	1.75	44.5	0.77	19.4	1.16	29.4	1.84	46.8	09

ADAPTER SHELL SIZE	CONNECTOR SHELL SIZE	A THREAD	ØB MAX		C MAX		D MAX		E MAX		MAX ENTRY
			in	mm	in	mm	in	mm	in	mm	
08	85	7/16-27UNS	0.75	19.2	0.59	15.0	0.72	18.3	1.02	25.9	32
10	10S	1/2-28UNEF	0.82	20.8	0.60	15.4	0.75	19.1	1.08	27.5	03
11	10SL	5/8-24UNEF	0.94	23.9	0.63	16.0	0.81	20.7	1.21	30.6	04
12	12, 12S	11/16-24UNEF	1.02	25.9	0.64	16.3	0.84	21.5	1.27	32.2	34
14	14, 14S	3/4-20UNEF	1.08	27.5	0.66	16.7	0.88	22.2	1.33	33.8	05
16	16, 16S	7/8-20UNEF	1.27	32.3	0.71	18.1	0.97	24.6	1.49	37.8	06
18	18	1-20UNEF	1.40	35.4	0.74	18.8	1.03	26.2	1.61	40.9	36
20	20	1 1/8-18UNEF	1.52	38.6	0.77	19.4	1.09	27.8	1.74	44.1	08
22	22	1 1/4-18UNEF	1.65	41.8	0.79	20.1	1.16	29.4	1.86	47.3	09
24	24	1 3/8-18UNEF	1.85	46.9	0.85	21.5	1.25	31.8	2.02	51.3	10
28	28	1 5/8-18UNEF	1.97	50.1	0.87	22.2	1.31	33.4	2.14	54.4	11
32	32	1 29/32-18UN	2.22	56.4	0.93	23.5	1.44	36.5	2.39	60.8	13
36	36	2 1/8-18UNS	2.55	64.8	1.01	25.6	1.59	40.5	2.67	67.9	15
40	40	2 3/8-16UN	2.80	71.2	1.06	26.9	1.72	43.7	2.92	74.3	-
44	44	2 5/8-16UN	3.05	77.5	1.11	28.3	1.84	46.9	3.17	80.6	-
48	48	2 7/8-16UN	3.38	85.9	1.20	30.4	2.00	50.8	3.46	87.8	-

ADAPTER SHELL SIZE	CONNECTOR SHELL SIZE	A THREAD	ØB MAX		C MAX		D MAX		E MAX		MAX ENTRY
			in	mm	in	mm	in	mm	in	mm	
08	85	7/16-28UNEF	0.75	19.2	0.59	15.0	0.72	18.3	1.02	25.9	32
10	10S	1/2-28UNEF	0.82	20.8	0.60	15.4	0.75	19.1	1.08	27.5	03
11	10SL	9/16-24UNEF	0.88	22.3	0.62	15.7	0.78	19.9	1.14	29.0	33
12	12, 12S	5/8-24UNEF	0.94	23.9	0.63	16.0	0.81	20.7	1.21	30.6	04
14	14, 14S	3/4-20UNEF	1.08	27.5	0.66	16.7	0.88	22.2	1.33	33.8	34
16	16, 16S	7/8-20UNEF	1.27	32.3	0.71	18.1	0.97	24.6	1.49	37.8	35
18	18	1-20UNEF	1.40	35.4	0.74	18.8	1.03	26.2	1.61	40.9	36
20	20	1 1/8-18UNEF	1.52	38.6	0.77	19.4	1.09	27.8	1.74	44.1	37
22	22	1 1/4-18UNEF	1.65	41.8	0.79	20.1	1.16	29.4	1.86	47.3	38
24	24	1 3/8-18UNEF	1.85	46.9	0.85	21.5	1.25	31.8	2.02	51.3	09
28	28	1 5/8-18UNEF	1.97	50.1	0.87	22.2	1.31	33.4	2.14	54.4	11
32	32	1 7/8-16UN	2.22	56.4	0.93	23.5	1.44	36.5	2.39	60.8	13
36	36	2 1/8-16UN	2.55	64.8	1.01	25.6	1.59	40.5	2.67	67.9	15
40	40	2 3/8-16UN	2.80	71.2	1.06	26.9	1.72	43.7	2.92	74.3	-
44	44	2 5/8-16UN	3.05	77.5	1.11	28.3	1.84	46.9	3.17	80.6	-
48	48	2 13/16-18UNS	3.38	85.9	1.20	30.4	2.00	50.8	3.46	87.8	-

ADAPTER SHELL SIZE	CONNECTOR SHELL SIZE	A THREAD	ØB MAX		C MAX		D MAX		E MAX		MAX ENTRY
			in	mm	in	mm	in	mm	in	mm	
08	85	3/8-32UNEF	0.69	17.6	0.58	14.7	0.69	17.5	0.96	24.3	02
10	10S	1/2-28UNEF	0.82	20.8	0.60	15.4	0.75	19.1	1.08	27.5	03
11	10SL	5/8-24UNEF	0.94	23.9	0.63	16.0	0.81	20.7	1.21	30.6	04
12	12, 12S	5/8-24UNEF	0.94	23.9	0.63	16.0	0.81	20.7	1.21	30.6	04
14	14, 14S	3/4-20UNEF	1.08	27.5	0.66	16.7	0.88	22.2	1.33	33.8	05
16	16, 16S	7/8-20UNEF	1.27	32.3	0.71	18.1	0.97	24.6	1.49	37.8	06
18	18	1-20UNEF	1.40	35.4	0.74	18.8	1.03	26.2	1.61	40.9	36
20	20	1 1/8-18UNEF	1.52	38.6	0.77	19.4	1.09	27.8	1.74	44.1	08
22	22	1 1/4-18UNEF	1.65	41.8	0.79	20.1	1.16	29.4	1.86	47.3	09
24	24	1 3/8-18UNEF	1.85	46.9	0.85	21.5	1.25	31.8	2.02	51.3	10
28	28	1 5/8-18UNEF	1.97	50.1	0.87	22.2	1.31	33.4	2.14	54.4	11
32	32	1 7/8-16UN	2.22	56.4	0.93	23.5	1.44	36.5	2.39	60.8	13
36	36	2 1/16-16UNS	2.55	64.8	1.01	25.6	1.59	40.5	2.67	67.9	15
40	40	2 5/16-16UNS	2.80	71.2	1.06	26.9	1.72	43.7	2.92	74.3	-
44	44	2 5/8-16UN	3.05	77.5	1.11	28.3	1.84	46.9	3.17	80.6	-
44	44	2 5/8-16UN	3.05	77.5	1.11	28.3	1.84	46.9	3.17	80.6	-

ADAPTER SHELL SIZE	CONNECTOR SHELL SIZE	A THREAD	ØB MAX		C MAX		D MAX		E MAX		MAX ENTRY
			in	mm	in	mm	in	mm	in	mm	
08	85	7/16-27UNS	0.75	19.2	0.59	15.0	0.72	18.3	1.02	25.9	32
10	10S	1/2-28UNEF	0.82	20.8	0.60	15.4	0.75	19.1	1.08	27.5	03
11	10SL	5/8-24UNEF	0.94	23.9	0.63	16.0	0.81	20.7	1.21	30.6	04
12	12, 12S	11/16-24UNEF	1.02	25.9	0.64	16.3	0.84	21.5	1.27	32.2	34
14	14, 14S	3/4-20UNEF	1.08	27.5	0.66	16.7	0.88	22.2	1.33	33.8	05
16	16, 16S	7/8-20UNEF	1.27	32.3	0.71	18.1	0.97	24.6	1.49	37.8	06
18	18	1-20UNEF	1.40	35.4	0.74	18.8	1.03	26.2	1.61	40.9	36
20	20	1 1/8-24UNS	1.52	38.6	0.77	19.4	1.09	27.8	1.74	44.1	08
22	22	1 1/4-18UNEF	1.65	41.8	0.79	20.1	1.16	29.4	1.86	47.3	09
24	24	1 3/8-18UNEF	1.85	46.9	0.85	21.5	1.25	31.8	2.02	51.3	10
28	28	1 5/8-18UNEF	1.97	50.1	0.87	22.2	1.31	33.4	2.14	54.4	11
32	32	1 29/32-18UN	2.22	56.4	0.93	23.5	1.44	36.5	2.39	60.8	13
36	36	2 1/16-20UNS	2.55	64.8	1.01	25.6	1.59	40.5	2.67	67.9	15
40	40	2 3/8-16UN	2.80	71.2	1.06	26.9	1.72	43.7	2.92	74.3	-
44	44	2 5/8-16UN	3.05	77.5	1.11	28.3	1.84	46.9	3.17	80.6	-
48	48	2 7/8-16UN	3.38	85.9	1.20	30.4	2.00	50.8	3.46	87.8	-

SHELL SIZE	A THREAD	ØB MAX		C MAX		D MAX		E MAX		MAX ENTRY
		in	mm	in	mm	in	mm	in	mm	
08	7/16-28UNEF	0.68	17.3	0.57	14.4	0.72	18.2	1.00	25.5	02
10	9/16-24UNEF	0.80	20.3	0.59	14.9	0.86	21.8	1.16	29.5	03
12	11/16-24UNEF	0.94	23.8	0.62	15.7	0.83	21.0	1.26	32.0	04
14	13/16-20UNEF	1.06	26.8	0.65	16.5	0.92	23.4	1.40	35.5	05
16	15/16-20UNEF	1.17	29.8	0.66	16.8	0.96	24.5	1.52	38.5	06
18	1 1/16-18UNEF	1.31	33.3	0.70	17.8	1.04	26.5	1.65	42.0	07
20	1 3/16-18UNEF	1.43	36.3	0.71	18.1	1.12	28.5	1.79	45.5	08
22	1 5/16-18UNEF	1.57	39.8	0.73	18.5	1.18	30.0	1.91	48.5	09
24	1 7/16-18UNEF	1.69	42.8	0.78	19.7	1.24	31.5	2.03	51.5	10

SHELL SIZE	A THREAD	ØB MAX		C MAX		D MAX		E MAX		MAX ENTRY
		in	mm	in	mm	in	mm	in	mm	
08	7/16-28UNEF	0.66	16.8	0.50	12.7	0.60	15.3	0.87	22.1	02
10	9/16-24UNEF	0.80	20.3	0.52	13.3	0.67	16.9	1.00	25.3	03
12	11/16-24UNEF	0.92	23.4	0.55	13.9	0.73	18.5	1.12	28.4	04
14	13/16-20UNEF	1.06	26.8	0.58	14.7	0.79	20.1	1.25	31.6	05
16	15/16-20UNEF	1.18	30.0	0.60	15.4	0.85	21.7	1.37	34.8	06
18	1 1/16-18UNEF	1.31	33.3	0.61	15.4	0.92	23.2	1.50	38.0	07
20	1 3/16-18UNEF	1.44	36.5	0.66	16.7	0.98	24.8	1.62	41.1	08
22	1 5/16-18UNEF	1.56	39.7	0.68	17.4	1.04	26.4	1.75	44.3	09
24	1 7/16-18UNEF	1.69	42.9	0.68	17.4	1.10	28.0	1.87	47.5	10

SHELL SIZE
