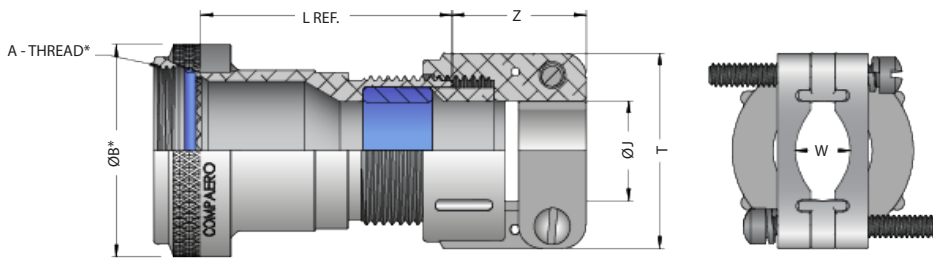


# SERIES 60

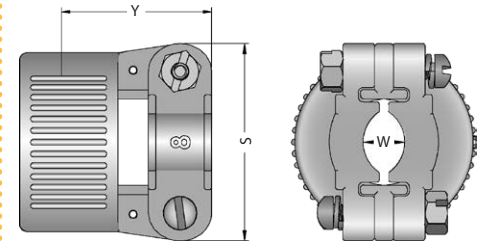
Submersible Cable Clamp Adapter Environmental, Non-Screened

COMPAERO

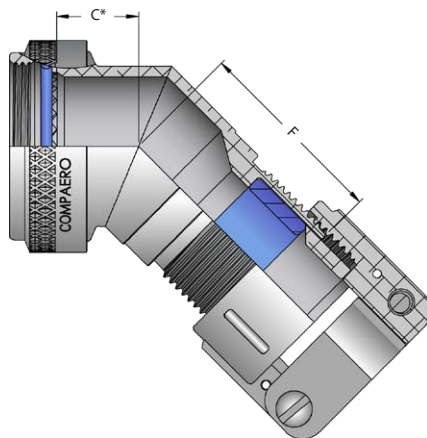
## Angle 1 - Straight Rotatable Coupling, Type A Clamp



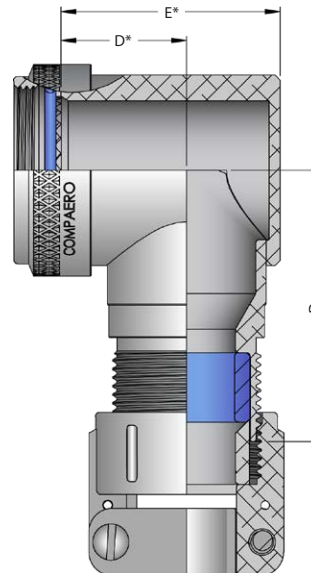
## Clamp Option - Type H Clamp



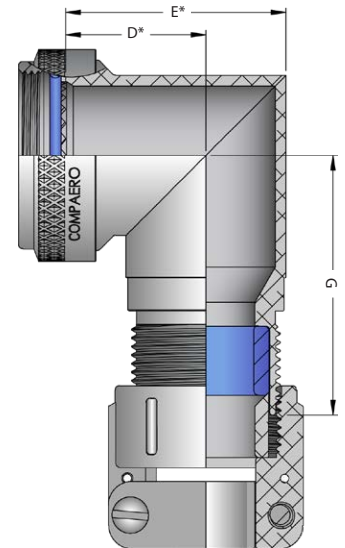
## Angle 4 - 45 Degree



## Angle 8 - 90 Degree



## Angle 9 - 90 Degree Miter Cut



## CP A 60 1 W D - 12 03 H - 10

Compaero Identifier

Connector Interface

[Click here for details](#)

Series Identifier

Angle

Material & Finish

[Click here for details](#)

Coupling Ring Option

Omit for standard rotatable

D - Direct coupling

E - Seat-lock (Non-detent, self locking)

S - Self locking (Detent, ratchet style)

T - Safety wire holes

W - Wrench flats

[Click here for details](#)

Length Option

Omit for 1.50" (Standard) & angled parts  
0.25" Increments (10 = 2.50")

Cable Clamp Type

A - MS3057A (shown in drawings)

H - MS3057D

Cable Clamp Size

See table 2&3

Shell Size

See table 1

\*Refer to interface tables  
inches [millimeters]

WWW.COMPAERO.COM

THIS DRAWING IS THE PROPERTY OF COMPAERO, INC AND MUST NOT BE USED FOR COMMERCIAL PURPOSES WITHOUT WRITTEN CONSENT OF THE COMPANY. DRAWING CORRECT AT TIME OF PUBLISHING.

# SERIES 60

Submersible Cable Clamp Adapter Environmental, Non-Screened



**Table 1** Shell Size

SHELL SIZE	F MAX	G MAX
	in mm	in mm
08/09	<b>1.08</b> 27.4	<b>1.35</b> 34.3
10/11	<b>1.11</b> 28.2	<b>1.42</b> 36.1
12/13	<b>1.13</b> 28.7	<b>1.48</b> 37.6
14/15	<b>1.16</b> 29.5	<b>1.54</b> 39.1
16/17	<b>1.19</b> 30.2	<b>1.60</b> 40.6
18/19	<b>1.20</b> 30.5	<b>1.63</b> 41.4
20/21	<b>1.22</b> 31.0	<b>1.70</b> 43.2
22/23	<b>1.25</b> 31.8	<b>1.76</b> 44.7
24/25	<b>1.28</b> 32.5	<b>1.82</b> 46.2
28/29	<b>1.30</b> 33.0	<b>1.88</b> 47.8
32/33	<b>1.35</b> 34.3	<b>2.01</b> 51.1
36	<b>1.39</b> 35.3	<b>2.10</b> 53.3
40	<b>1.44</b> 36.6	<b>2.23</b> 56.6
44	<b>1.50</b> 38.1	<b>2.35</b> 59.7
48	<b>1.55</b> 39.4	<b>2.48</b> 63.0
61	<b>1.26</b> 32.0	<b>1.79</b> 45.5

**Table 2** Type A Clamp

ENTRY CODE	CLAMP REF	ØJ	T MAX	W REF	Z MAX
		in mm	in mm	in mm	in mm
01	CP3057-3A	<b>0.250</b> 6.4	<b>0.84</b> 21.4	<b>0.16</b> 4.0	<b>0.80</b> 20.2
02	CP3057-4A	<b>0.312</b> 7.9	<b>0.91</b> 23.0	<b>0.19</b> 4.8	<b>0.80</b> 20.2
03	CP3057-6A	<b>0.438</b> 11.1	<b>1.09</b> 27.8	<b>0.28</b> 7.1	<b>0.86</b> 21.8
04	CP3057-8A	<b>0.563</b> 14.3	<b>1.19</b> 30.1	<b>0.34</b> 8.7	<b>0.92</b> 23.4
05	CP3057-10A	<b>0.625</b> 15.9	<b>1.28</b> 32.5	<b>0.38</b> 9.5	<b>0.92</b> 23.4
06	CP3057-12A	<b>0.750</b> 19.1	<b>1.50</b> 38.1	<b>0.44</b> 11.1	<b>0.92</b> 23.4
07	CP3057-16A	<b>0.938</b> 23.8	<b>1.72</b> 43.7	<b>0.56</b> 14.3	<b>1.02</b> 25.8
08	CP3057-20A	<b>1.250</b> 31.8	<b>2.06</b> 52.4	<b>0.75</b> 19.1	<b>1.02</b> 25.8
09	CP3057-24A	<b>1.375</b> 34.9	<b>2.31</b> 58.7	<b>0.78</b> 19.8	<b>1.02</b> 25.8
10	CP3057-28A	<b>1.625</b> 41.3	<b>2.72</b> 69.1	<b>0.97</b> 24.6	<b>1.55</b> 39.3
11	CP3057-32A	<b>1.875</b> 47.6	<b>2.97</b> 75.4	<b>1.13</b> 28.6	<b>1.55</b> 39.3

**Table 3** Type H Clamp

ENTRY CODE	CLAMP REF	ØJ	S MAX	W REF	Y MAX
		in mm	in mm	in mm	in mm
02	CP3057-4D	<b>0.313</b> 7.9	<b>0.96</b> 24.3	<b>0.17</b> 4.2	<b>1.12</b> 28.5
03	CP3057-6D	<b>0.438</b> 11.1	<b>1.15</b> 29.1	<b>0.29</b> 7.3	<b>1.12</b> 28.5
04	CP3057-8D	<b>0.563</b> 14.3	<b>1.33</b> 33.8	<b>0.34</b> 8.7	<b>1.12</b> 28.5
05	CP3057-10D	<b>0.625</b> 15.9	<b>1.33</b> 33.8	<b>0.37</b> 9.5	<b>1.12</b> 28.5
06	CP3057-12D	<b>0.750</b> 19.1	<b>1.55</b> 39.4	<b>0.52</b> 13.2	<b>1.16</b> 29.3
07	CP3057-16D	<b>0.938</b> 23.8	<b>1.77</b> 45.0	<b>0.64</b> 16.3	<b>1.25</b> 31.7
08	CP3057-20D	<b>1.250</b> 31.8	<b>2.11</b> 53.7	<b>0.86</b> 21.7	<b>1.44</b> 36.5
09	CP3057-24D	<b>1.375</b> 34.9	<b>2.36</b> 60.0	<b>0.99</b> 25.1	<b>1.47</b> 37.3
10	CP3057-28D	<b>1.625</b> 41.3	<b>2.77</b> 70.4	<b>1.26</b> 32.1	<b>1.74</b> 44.3
11	CP3057-32D	<b>1.875</b> 47.6	<b>3.02</b> 76.7	<b>1.42</b> 36.0	<b>1.74</b> 44.3

inches millimeters  
Tolerance ±0.01±0.25

# INTERFACE TABLES

Reference tables for standard series

**A INTERFACE**

SHELL SIZE	A THREAD	ØB MAX		C MAX		D MAX		E MAX		MAX ENTRY
		in	mm	in	mm	in	mm	in	mm	
08	1/2-20 UNF	0.69	17.6	0.54	13.6	0.65	16.5	0.92	23.4	02
10	5/8-24 UNEF	0.81	20.5	0.57	14.4	0.70	17.9	1.03	26.3	03
12	3/4-20 UNEF	0.94	24.0	0.58	14.8	0.77	19.6	1.16	29.4	04
14	7/8-20 UNEF	1.07	27.1	0.60	15.3	0.84	21.4	1.22	30.9	34
16	1-20 UNEF	1.24	31.6	0.63	15.9	0.90	22.9	1.34	34.1	35
18	1 1/16-18 UNEF	1.32	33.4	0.64	16.4	0.93	23.6	1.40	35.4	06
20	1 3/16-18 UNEF	1.44	36.6	0.67	17.0	0.99	25.2	1.52	38.6	07
22	1 5/16-18 UNEF	1.57	39.8	0.70	17.7	1.06	26.8	1.65	41.8	08
24	1 7/16-18 UNEF	1.69	43.0	0.73	18.5	1.12	28.4	1.77	45.0	09
28	1 3/4-18 UNS	2.00	50.9	0.83	21.2	1.28	32.6	2.06	52.4	11
32	2-18 UNS	2.25	57.2	0.89	22.6	1.41	35.8	2.31	58.7	13
36	2 1/4-16 UN	2.50	63.6	0.93	23.7	1.53	39.0	2.53	64.3	14
40	2 1/2-16UN	2.75	69.9	1.01	25.6	1.66	42.1	2.78	70.6	16
44	2 3/4-16UN	3.00	76.3	1.06	26.9	1.78	45.3	3.03	77.0	-
48	3-16UN	3.25	82.6	1.11	28.2	1.91	48.5	3.28	83.3	-
61	1 1/2-18UNEF	1.75	44.5	0.77	19.4	1.16	29.4	1.84	46.8	09

**BA INTERFACE**

ADAPTER SHELL SIZE	CONNECTOR SHELL SIZE	A THREAD	ØB MAX		C MAX		D MAX		E MAX		MAX ENTRY
			in	mm	in	mm	in	mm	in	mm	
08	85	7/16-27UNS	0.75	19.2	0.59	15.0	0.72	18.3	1.02	25.9	32
10	105	1/2-28UNEF	0.82	20.8	0.60	15.4	0.75	19.1	1.08	27.5	03
11	105L	5/8-24UNEF	0.94	23.9	0.63	16.0	0.81	20.7	1.21	30.6	04
12	12, 12S	11/16-24UNEF	1.02	25.9	0.64	16.3	0.84	21.5	1.27	32.2	34
14	14, 14S	3/4-20UNEF	1.08	27.5	0.66	16.7	0.88	22.2	1.33	33.8	05
16	16, 16S	7/8-20UNEF	1.27	32.3	0.71	18.1	0.97	24.6	1.49	37.8	06
18	18	1-20UNEF	1.40	35.4	0.74	18.8	1.03	26.2	1.61	40.9	36
20	20	1 1/8-18UNEF	1.52	38.6	0.77	19.4	1.09	27.8	1.74	44.1	08
22	22	1 1/4-18UNEF	1.65	41.8	0.79	20.1	1.16	29.4	1.86	47.3	09
24	24	1 3/8-18UNEF	1.85	46.9	0.85	21.5	1.25	31.8	2.02	51.3	10
28	28	1 5/8-18UNEF	1.97	50.1	0.87	22.2	1.31	33.4	2.14	54.4	11
32	32	1 29/32-18UN	2.22	56.4	0.93	23.5	1.44	36.5	2.39	60.8	13
36	36	2 1/8-18UNS	2.55	64.8	1.01	25.6	1.59	40.5	2.67	67.9	15
40	40	2 3/8-16UN	2.80	71.2	1.06	26.9	1.72	43.7	2.92	74.3	-
44	44	2 5/8-16UN	3.05	77.5	1.11	28.3	1.84	46.9	3.17	80.6	-
48	48	2 7/8-16UN	3.38	85.9	1.20	30.4	2.00	50.8	3.46	87.8	-

**BC INTERFACE**

ADAPTER SHELL SIZE	CONNECTOR SHELL SIZE	A THREAD	ØB MAX		C MAX		D MAX		E MAX		MAX ENTRY
			in	mm	in	mm	in	mm	in	mm	
08	85	7/16-28UNEF	0.75	19.2	0.59	15.0	0.72	18.3	1.02	25.9	32
10	105	1/2-28UNEF	0.82	20.8	0.60	15.4	0.75	19.1	1.08	27.5	03
11	105L	9/16-24UNEF	0.88	22.3	0.62	15.7	0.78	19.9	1.14	29.0	33
12	12, 12S	5/8-24UNEF	0.94	23.9	0.63	16.0	0.81	20.7	1.21	30.6	04
14	14, 14S	3/4-20UNEF	1.08	27.5	0.66	16.7	0.88	22.2	1.33	33.8	34
16	16, 16S	7/8-20UNEF	1.27	32.3	0.71	18.1	0.97	24.6	1.49	37.8	35
18	18	1-20UNEF	1.40	35.4	0.74	18.8	1.03	26.2	1.61	40.9	36
20	20	1 1/8-18UNEF	1.52	38.6	0.77	19.4	1.09	27.8	1.74	44.1	37
22	22	1 1/4-18UNEF	1.65	41.8	0.79	20.1	1.16	29.4	1.86	47.3	38
24	24	1 3/8-18UNEF	1.85	46.9	0.85	21.5	1.25	31.8	2.02	51.3	09
28	28	1 5/8-18UNEF	1.97	50.1	0.87	22.2	1.31	33.4	2.14	54.4	11
32	32	1 7/8-16UN	2.22	56.4	0.93	23.5	1.44	36.5	2.39	60.8	13
36	36	2 1/8-16UN	2.55	64.8	1.01	25.6	1.59	40.5	2.67	67.9	15
40	40	2 3/8-16UN	2.80	71.2	1.06	26.9	1.72	43.7	2.92	74.3	-
44	44	2 5/8-16UN	3.05	77.5	1.11	28.3	1.84	46.9	3.17	80.6	-
48	48	2 13/16-18UNS	3.38	85.9	1.20	30.4	2.00	50.8	3.46	87.8	-

**BB INTERFACE**

ADAPTER SHELL SIZE	CONNECTOR SHELL SIZE	A THREAD	ØB MAX		C MAX		D MAX		E MAX		MAX ENTRY
			in	mm	in	mm	in	mm	in	mm	
08	85	3/8-32UNEF	0.69	17.6	0.58	14.7	0.69	17.5	0.96	24.3	02
10	105	1/2-28UNEF	0.82	20.8	0.60	15.4	0.75	19.1	1.08	27.5	03
11	105L	5/8-24UNEF	0.94	23.9	0.63	16.0	0.81	20.7	1.21	30.6	04
12	12, 12S	5/8-24UNEF	0.94	23.9	0.63	16.0	0.81	20.7	1.21	30.6	04
14	14, 14S	3/4-20UNEF	1.08	27.5	0.66	16.7	0.88	22.2	1.33	33.8	05
16	16, 16S	7/8-20UNEF	1.27	32.3	0.71	18.1	0.97	24.6	1.49	37.8	06
18	18	1-20UNEF	1.40	35.4	0.74	18.8	1.03	26.2	1.61	40.9	36
20	20	1 1/8-18UNEF	1.52	38.6	0.77	19.4	1.09	27.8	1.74	44.1	08
22	22	1 1/4-18UNEF	1.65	41.8	0.79	20.1	1.16	29.4	1.86	47.3	09
24	24	1 3/8-18UNEF	1.85	46.9	0.85	21.5	1.25	31.8	2.02	51.3	10
28	28	1 5/8-18UNEF	1.97	50.1	0.87	22.2	1.31	33.4	2.14	54.4	11
32	32	1 7/8-16UN	2.22	56.4	0.93	23.5	1.44	36.5	2.39	60.8	13
36	36	2 1/16-16UNS	2.55	64.8	1.01	25.6	1.59	40.5	2.67	67.9	15
40	40	2 5/16-16UNS	2.80	71.2	1.06	26.9	1.72	43.7	2.92	74.3	-
44	44	2 5/8-16UN	3.05	77.5	1.11	28.3	1.84	46.9	3.17	80.6	-
48	48	2 5/8-16UN	3.05	77.5	1.11	28.3	1.84	46.9	3.17	80.6	-

**BR INTERFACE**

ADAPTER SHELL SIZE	CONNECTOR SHELL SIZE	A THREAD	ØB MAX		C MAX		D MAX		E MAX		MAX ENTRY
			in	mm	in	mm	in	mm	in	mm	
08	85	7/16-27UNS	0.75	19.2	0.59	15.0	0.72	18.3	1.02	25.9	32
10	105	1/2-28UNEF	0.82	20.8	0.60	15.4	0.75	19.1	1.08	27.5	03
11	105L	5/8-24UNEF	0.94	23.9	0.63	16.0	0.81	20.7	1.21	30.6	04
12	12, 12S	11/16-24UNEF	1.02	25.9	0.64	16.3	0.84	21.5	1.27	32.2	34
14	14, 14S	3/4-20UNEF	1.08	27.5	0.66	16.7	0.88	22.2	1.33	33.8	05
16	16, 16S	7/8-20UNEF	1.27	32.3	0.71	18.1	0.97	24.6	1.49	37.8	06
18	18	1-20UNEF	1.40	35.4	0.74	18.8	1.03	26.2	1.61	40.9	36
20	20	1 1/8-24UNS	1.52	38.6	0.77	19.4	1.09	27.8	1.74	44.1	08
22	22	1 1/4-18UNEF	1.65	41.8	0.79	20.1	1.16	29.4	1.86	47.3	09
24	24	1 3/8-18UNEF	1.85	46.9	0.85	21.5	1.25	31.8	2.02	51.3	10
28	28	1 5/8-18UNEF	1.97	50.1	0.87	22.2	1.31	33.4	2.14	54.4	11
32	32	1 29/32-18UN	2.22	56.4	0.93	23.5	1.44	36.5	2.39	60.8	13
36	36	2 1/16-20UNS	2.55	64.8	1.01	25.6	1.59	40.5	2.67	67.9	15
40	40	2 3/8-16UN	2.80	71.2	1.06	26.9	1.72	43.7	2.92	74.3	-
44	44	2 5/8-16UN	3.05	77.5	1.11	28.3	1.84	46.9	3.17	80.6	-
48	48	2 7/8-16UN	3.38	85.9	1.20	30.4	2.00	50.8	3.46	87.8	-

**DK INTERFACE**

SHELL SIZE	A THREAD	ØB MAX		C MAX		D MAX		E MAX		MAX ENTRY
		in	mm	in	mm	in	mm	in	mm	
08	7/16-28UNEF	0.68	17.3	0.57	14.4	0.72	18.2	1.00	25.5	02
10	9/16-24UNEF	0.80	20.3	0.59	14.9	0.86	21.8	1.16	29.5	03
12	11/16-24UNEF	0.94	23.8	0.62	15.7	0.83	21.0	1.26	32.0	04
14	13/16-20UNEF	1.06	26.8	0.65	16.5	0.92	23.4	1.40	35.5	05
16	15/16-20UNEF	1.17	29.8	0.66	16.8	0.96	24.5	1.52	38.5	06
18	1 1/16-18UNEF	1.31	33.3	0.70	17.8	1.04	26.5	1.65	42.0	07
20	1 3/16-18UNEF	1.43	36.3	0.71	18.1	1.12	28.5	1.79	45.5	08
22	1 5/16-18UNEF	1.57	39.8	0.73	18.5	1.18	30.0	1.91	48.5	09
24	1 7/16-18UNEF	1.69	42.8	0.78	19.7	1.24	31.5	2.03	51.5	10

**F INTERFACE**

SHELL SIZE	A THREAD	ØB MAX		C MAX		D MAX		E MAX		MAX ENTRY
		in	mm	in	mm	in	mm	in	mm	
08	7/16-28UNEF	0.66	16.8	0.50	12.7	0.60	15.3	0.87	22.1	02
10	9/16-24UNEF	0.80	20.3	0.52	13.3	0.67	16.9	1.00	25.3	03
12	11/16-24UNEF	0.92	23.4	0.55	13.9	0.73	18.5	1.12	28.4	04
14	13/16-20UNEF	1.06	26.8	0.58	14.7	0.79	20.1	1.25	31.6	05
16	15/16-20UNEF	1.18	30.0	0.60	15.4	0.85	21.7	1.37	34.8	06
18	1 1/16-18UNEF	1.31	33.3	0.61	15.4	0.92	23.2	1.50	38.0	07
20	1 3/16-18UNEF	1.44	36.5	0.66	16.7	0.98	24.8	1.62	41.1	08
22	1 5/16-18UNEF	1.56	39.7	0.68	17.4	1.04	26.4	1.75	44.3	09
24	1 7/16-18UNEF	1.69	42.9	0.68	17.4	1.10	28.0	1		