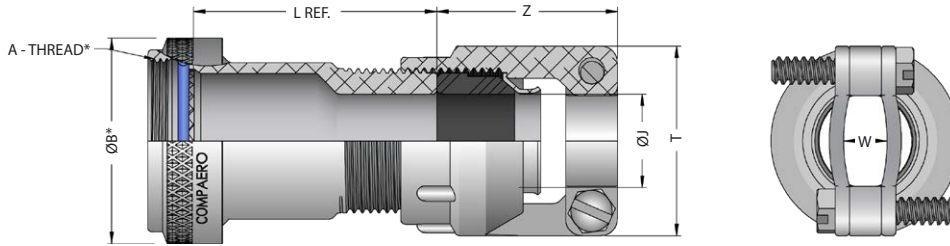


# SERIES 61

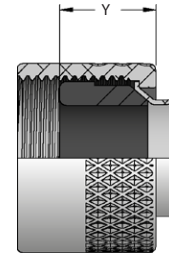
Non-Submersible Cable Clamp Adapter Environmental, Non-Screened



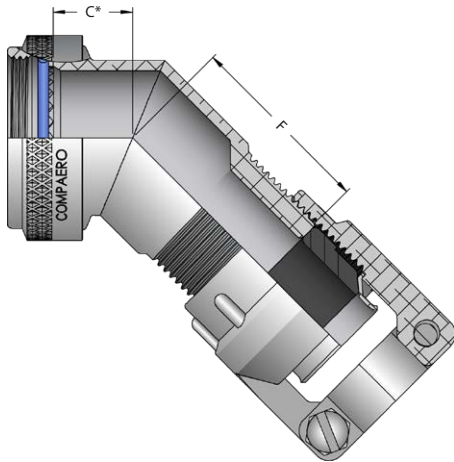
## Angle 1 - Straight Rotatable Coupling, Type C Clamp



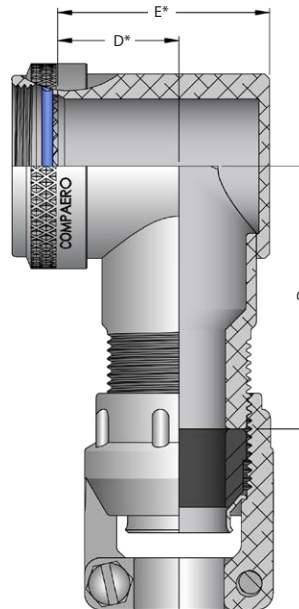
## Clamp Option - Type E Nut



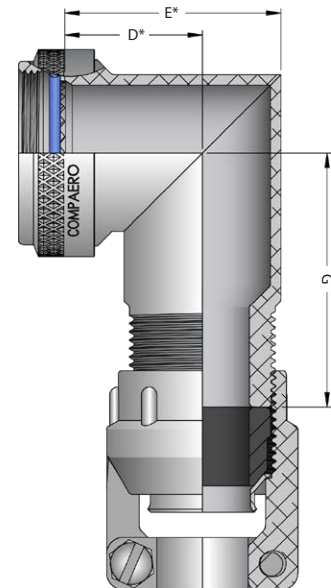
## Angle 4 - 45 Degree



## Angle 8 - 90 Degree



## Angle 9 90 Degree Miter Cut



## CP A 61 1 W D - 12 03 C - 10

**Compaero Identifier**

**Connector Interface**

[Click here for details](#)

**Series Identifier**

**Angle**

**Material & Finish**

[Click here for details](#)

**Coupling Ring Option**

Omit for standard rotatable

**D** - Direct coupling

**E** - Seat-lock (Non-detent, self locking)

**S** - Self locking (Detent, ratchet style)

**T** - Safety wire holes

**W** - Wrench flats

[Click here for details](#)

**Length Option**

Omit for 1.50" (Standard) & angled parts  
0.25" Increments (10 = 2.50")

**Cable Clamp Type**

**C** - MS3057C (shown in drawings)

**E** - Style E

**Cable Clamp Size**

See table 2&3

**Shell Size**

See table 1

\*Refer to interface tables  
**inches** [millimeters]

# SERIES 61

Non-Submersible Cable Clamp Adapter Environmental, Non-Screened



**Table 1** Shell Size

SHELL SIZE	F MAX	G MAX
	in mm	in mm
08/09	<b>0.88</b> 22.4	<b>1.17</b> 29.7
10/11	<b>0.91</b> 23.1	<b>1.23</b> 31.2
12/13	<b>0.93</b> 23.6	<b>1.29</b> 32.8
14/15	<b>0.96</b> 24.4	<b>1.35</b> 34.3
16/17	<b>0.98</b> 24.9	<b>1.42</b> 36.1
18/19	<b>1.00</b> 25.4	<b>1.45</b> 36.8
20/21	<b>1.02</b> 25.9	<b>1.51</b> 38.4
22/23	<b>1.05</b> 26.7	<b>1.57</b> 39.9
24/25	<b>1.07</b> 27.2	<b>1.63</b> 41.4
28/29	<b>1.10</b> 27.9	<b>1.70</b> 43.2
32/33	<b>1.15</b> 29.2	<b>1.82</b> 46.2
36	<b>1.19</b> 30.2	<b>1.92</b> 48.8
40	<b>1.24</b> 31.5	<b>2.04</b> 51.8
44	<b>1.29</b> 32.8	<b>2.17</b> 55.1
48	<b>1.35</b> 34.3	<b>2.29</b> 58.2
61	<b>1.06</b> 26.9	<b>1.60</b> 40.6

**Table 2** Type E Nut

ENTRY CODE	CLAMP REF	ØJ		Y MAX	
		in	mm	in	mm
01	CP3057-3E	<b>0.250</b>	6.4	<b>0.58</b>	14.8
02	CP3057-4E	<b>0.313</b>	7.9	<b>0.58</b>	14.8
03	CP3057-6E	<b>0.438</b>	11.1	<b>0.58</b>	14.8
04	CP3057-8E	<b>0.563</b>	14.3	<b>0.58</b>	14.8
05	CP3057-10E	<b>0.625</b>	15.9	<b>0.60</b>	15.3
06	CP3057-12E	<b>0.750</b>	19.1	<b>0.68</b>	17.2
07	CP3057-16E	<b>0.938</b>	23.8	<b>0.66</b>	16.8
08	CP3057-20E	<b>1.250</b>	31.8	<b>0.73</b>	18.6
09	CP3057-24E	<b>1.375</b>	34.9	<b>0.97</b>	24.5
10	CP3057-28E	<b>1.625</b>	41.3	<b>0.96</b>	24.4
11	CP3057-32E	<b>1.875</b>	47.6	<b>1.08</b>	27.4

**Table 3** Type C Clamp

ENTRY CODE	CLAMP REF	ØJ		T MAX	W REF	Z MAX
		in	mm	in	mm	in
01	CP3057-3C	<b>0.250</b>	6.4	<b>0.81</b> 20.6	<b>0.22</b> 5.5	<b>1.22</b> 31.0
02	CP3057-4C	<b>0.312</b>	7.9	<b>0.94</b> 23.8	<b>0.30</b> 7.5	<b>1.22</b> 31.0
03	CP3057-6C	<b>0.438</b>	11.1	<b>1.06</b> 27.0	<b>0.39</b> 9.9	<b>1.22</b> 31.0
04	CP3057-8C	<b>0.563</b>	14.3	<b>1.19</b> 30.2	<b>0.43</b> 11.0	<b>1.22</b> 31.0
05	CP3057-10C	<b>0.625</b>	15.9	<b>1.31</b> 33.3	<b>0.43</b> 11.0	<b>1.28</b> 32.5
06	CP3057-12C	<b>0.750</b>	19.1	<b>1.56</b> 39.7	<b>0.60</b> 15.1	<b>1.28</b> 32.5
07	CP3057-16C	<b>0.938</b>	23.8	<b>1.75</b> 44.5	<b>0.60</b> 15.1	<b>1.41</b> 35.7
08	CP3057-20C	<b>1.250</b>	31.8	<b>2.25</b> 57.2	<b>0.86</b> 21.8	<b>1.66</b> 42.1
09	CP3057-24C	<b>1.375</b>	34.9	<b>2.38</b> 60.3	<b>0.86</b> 21.8	<b>1.91</b> 48.4
10	CP3057-28C	<b>1.625</b>	41.3	<b>2.63</b> 66.7	<b>1.11</b> 28.1	<b>1.91</b> 48.4
11	CP3057-32C	<b>1.875</b>	47.6	<b>2.81</b> 71.4	<b>1.42</b> 36.1	<b>2.00</b> 50.8

inches millimeters  
Tolerance ±0.01±0.25

# INTERFACE TABLES

Reference tables for standard series

**A INTERFACE**

SHELL SIZE	A THREAD	ØB MAX		C MAX		D MAX		E MAX		MAX ENTRY
		in	mm	in	mm	in	mm	in	mm	
08	1/2-20 UNF	0.69	17.6	0.54	13.6	0.65	16.5	0.92	23.4	02
10	5/8-24 UNEF	0.81	20.5	0.57	14.4	0.70	17.9	1.03	26.3	03
12	3/4-20 UNEF	0.94	24.0	0.58	14.8	0.77	19.6	1.16	29.4	04
14	7/8-20 UNEF	1.07	27.1	0.60	15.3	0.84	21.4	1.22	30.9	34
16	1-20 UNEF	1.24	31.6	0.63	15.9	0.90	22.9	1.34	34.1	35
18	1 1/16-18 UNEF	1.32	33.4	0.64	16.4	0.93	23.6	1.40	35.4	06
20	1 3/16-18 UNEF	1.44	36.6	0.67	17.0	0.99	25.2	1.52	38.6	07
22	1 5/16-18 UNEF	1.57	39.8	0.70	17.7	1.06	26.8	1.65	41.8	08
24	1 7/16-18 UNEF	1.69	43.0	0.73	18.5	1.12	28.4	1.77	45.0	09
28	1 3/4-18 UNS	2.00	50.9	0.83	21.2	1.28	32.6	2.06	52.4	11
32	2-18 UNS	2.25	57.2	0.89	22.6	1.41	35.8	2.31	58.7	13
36	2 1/4-16 UN	2.50	63.6	0.93	23.7	1.53	39.0	2.53	64.3	14
40	2 1/2-16UN	2.75	69.9	1.01	25.6	1.66	42.1	2.78	70.6	16
44	2 3/4-16UN	3.00	76.3	1.06	26.9	1.78	45.3	3.03	77.0	-
48	3-16UN	3.25	82.6	1.11	28.2	1.91	48.5	3.28	83.3	-
61	1 1/2-18UNEF	1.75	44.5	0.77	19.4	1.16	29.4	1.84	46.8	09

**BA INTERFACE**

ADAPTER SHELL SIZE	CONNECTOR SHELL SIZE	A THREAD	ØB MAX		C MAX		D MAX		E MAX		MAX ENTRY
			in	mm	in	mm	in	mm	in	mm	
08	85	7/16-27UNS	0.75	19.2	0.59	15.0	0.72	18.3	1.02	25.9	32
10	105	1/2-28UNEF	0.82	20.8	0.60	15.4	0.75	19.1	1.08	27.5	03
11	105L	5/8-24UNEF	0.94	23.9	0.63	16.0	0.81	20.7	1.21	30.6	04
12	12, 12S	11/16-24UNEF	1.02	25.9	0.64	16.3	0.84	21.5	1.27	32.2	34
14	14, 14S	3/4-20UNEF	1.08	27.5	0.66	16.7	0.88	22.2	1.33	33.8	05
16	16, 16S	7/8-20UNEF	1.27	32.3	0.71	18.1	0.97	24.6	1.49	37.8	06
18	18	1-20UNEF	1.40	35.4	0.74	18.8	1.03	26.2	1.61	40.9	36
20	20	1 1/8-18UNEF	1.52	38.6	0.77	19.4	1.09	27.8	1.74	44.1	08
22	22	1 1/4-18UNEF	1.65	41.8	0.79	20.1	1.16	29.4	1.86	47.3	09
24	24	1 3/8-18UNEF	1.85	46.9	0.85	21.5	1.25	31.8	2.02	51.3	10
28	28	1 5/8-18UNEF	1.97	50.1	0.87	22.2	1.31	33.4	2.14	54.4	11
32	32	1 29/32-18UN	2.22	56.4	0.93	23.5	1.44	36.5	2.39	60.8	13
36	36	2 1/8-18UNS	2.55	64.8	1.01	25.6	1.59	40.5	2.67	67.9	15
40	40	2 3/8-16UN	2.80	71.2	1.06	26.9	1.72	43.7	2.92	74.3	-
44	44	2 5/8-16UN	3.05	77.5	1.11	28.3	1.84	46.9	3.17	80.6	-
48	48	2 7/8-16UN	3.38	85.9	1.20	30.4	2.00	50.8	3.46	87.8	-

**BC INTERFACE**

ADAPTER SHELL SIZE	CONNECTOR SHELL SIZE	A THREAD	ØB MAX		C MAX		D MAX		E MAX		MAX ENTRY
			in	mm	in	mm	in	mm	in	mm	
08	85	7/16-28UNEF	0.75	19.2	0.59	15.0	0.72	18.3	1.02	25.9	32
10	105	1/2-28UNEF	0.82	20.8	0.60	15.4	0.75	19.1	1.08	27.5	03
11	105L	9/16-24UNEF	0.88	22.3	0.62	15.7	0.78	19.9	1.14	29.0	33
12	12, 12S	5/8-24UNEF	0.94	23.9	0.63	16.0	0.81	20.7	1.21	30.6	04
14	14, 14S	3/4-20UNEF	1.08	27.5	0.66	16.7	0.88	22.2	1.33	33.8	34
16	16, 16S	7/8-20UNEF	1.27	32.3	0.71	18.1	0.97	24.6	1.49	37.8	35
18	18	1-20UNEF	1.40	35.4	0.74	18.8	1.03	26.2	1.61	40.9	36
20	20	1 1/8-18UNEF	1.52	38.6	0.77	19.4	1.09	27.8	1.74	44.1	37
22	22	1 1/4-18UNEF	1.65	41.8	0.79	20.1	1.16	29.4	1.86	47.3	38
24	24	1 3/8-18UNEF	1.85	46.9	0.85	21.5	1.25	31.8	2.02	51.3	09
28	28	1 5/8-18UNEF	1.97	50.1	0.87	22.2	1.31	33.4	2.14	54.4	11
32	32	1 7/8-16UN	2.22	56.4	0.93	23.5	1.44	36.5	2.39	60.8	13
36	36	2 1/8-16UN	2.55	64.8	1.01	25.6	1.59	40.5	2.67	67.9	15
40	40	2 3/8-16UN	2.80	71.2	1.06	26.9	1.72	43.7	2.92	74.3	-
44	44	2 5/8-16UN	3.05	77.5	1.11	28.3	1.84	46.9	3.17	80.6	-
48	48	2 13/16-18UNS	3.38	85.9	1.20	30.4	2.00	50.8	3.46	87.8	-

**BB INTERFACE**

ADAPTER SHELL SIZE	CONNECTOR SHELL SIZE	A THREAD	ØB MAX		C MAX		D MAX		E MAX		MAX ENTRY
			in	mm	in	mm	in	mm	in	mm	
08	85	3/8-32UNEF	0.69	17.6	0.58	14.7	0.69	17.5	0.96	24.3	02
10	105	1/2-28UNEF	0.82	20.8	0.60	15.4	0.75	19.1	1.08	27.5	03
11	105L	5/8-24UNEF	0.94	23.9	0.63	16.0	0.81	20.7	1.21	30.6	04
12	12, 12S	5/8-24UNEF	0.94	23.9	0.63	16.0	0.81	20.7	1.21	30.6	04
14	14, 14S	3/4-20UNEF	1.08	27.5	0.66	16.7	0.88	22.2	1.33	33.8	05
16	16, 16S	7/8-20UNEF	1.27	32.3	0.71	18.1	0.97	24.6	1.49	37.8	06
18	18	1-20UNEF	1.40	35.4	0.74	18.8	1.03	26.2	1.61	40.9	36
20	20	1 1/8-18UNEF	1.52	38.6	0.77	19.4	1.09	27.8	1.74	44.1	08
22	22	1 1/4-18UNEF	1.65	41.8	0.79	20.1	1.16	29.4	1.86	47.3	09
24	24	1 3/8-18UNEF	1.85	46.9	0.85	21.5	1.25	31.8	2.02	51.3	10
28	28	1 5/8-18UNEF	1.97	50.1	0.87	22.2	1.31	33.4	2.14	54.4	11
32	32	1 7/8-16UN	2.22	56.4	0.93	23.5	1.44	36.5	2.39	60.8	13
36	36	2 1/8-16UNS	2.55	64.8	1.01	25.6	1.59	40.5	2.67	67.9	15
40	40	2 5/16-16UNS	2.80	71.2	1.06	26.9	1.72	43.7	2.92	74.3	-
44	44	2 5/8-16UN	3.05	77.5	1.11	28.3	1.84	46.9	3.17	80.6	-
48	48	2 5/8-16UN	3.05	77.5	1.11	28.3	1.84	46.9	3.17	80.6	-

**BR INTERFACE**

ADAPTER SHELL SIZE	CONNECTOR SHELL SIZE	A THREAD	ØB MAX		C MAX		D MAX		E MAX		MAX ENTRY
			in	mm	in	mm	in	mm	in	mm	
08	85	7/16-27UNS	0.75	19.2	0.59	15.0	0.72	18.3	1.02	25.9	32
10	105	1/2-28UNEF	0.82	20.8	0.60	15.4	0.75	19.1	1.08	27.5	03
11	105L	5/8-24UNEF	0.94	23.9	0.63	16.0	0.81	20.7	1.21	30.6	04
12	12, 12S	11/16-24UNEF	1.02	25.9	0.64	16.3	0.84	21.5	1.27	32.2	34
14	14, 14S	3/4-20UNEF	1.08	27.5	0.66	16.7	0.88	22.2	1.33	33.8	05
16	16, 16S	7/8-20UNEF	1.27	32.3	0.71	18.1	0.97	24.6	1.49	37.8	06
18	18	1-20UNEF	1.40	35.4	0.74	18.8	1.03	26.2	1.61	40.9	36
20	20	1 1/8-24UNS	1.52	38.6	0.77	19.4	1.09	27.8	1.74	44.1	08
22	22	1 1/4-18UNEF	1.65	41.8	0.79	20.1	1.16	29.4	1.86	47.3	09
24	24	1 3/8-18UNEF	1.85	46.9	0.85	21.5	1.25	31.8	2.02	51.3	10
28	28	1 5/8-18UNEF	1.97	50.1	0.87	22.2	1.31	33.4	2.14	54.4	11
32	32	1 29/32-18UN	2.22	56.4	0.93	23.5	1.44	36.5	2.39	60.8	13
36	36	2 1/16-20UNS	2.55	64.8	1.01	25.6	1.59	40.5	2.67	67.9	15
40	40	2 3/8-16UN	2.80	71.2	1.06	26.9	1.72	43.7	2.92	74.3	-
44	44	2 5/8-16UN	3.05	77.5	1.11	28.3	1.84	46.9	3.17	80.6	-
48	48	2 7/8-16UN	3.38	85.9	1.20	30.4	2.00	50.8	3.46	87.8	-

**DK INTERFACE**

SHELL SIZE	A THREAD	ØB MAX		C MAX		D MAX		E MAX		MAX ENTRY
		in	mm	in	mm	in	mm	in	mm	
08	7/16-28UNEF	0.68	17.3	0.57	14.4	0.72	18.2	1.00	25.5	02
10	9/16-24UNEF	0.80	20.3	0.59	14.9	0.86	21.8	1.16	29.5	03
12	11/16-24UNEF	0.94	23.8	0.62	15.7	0.83	21.0	1.26	32.0	04
14	13/16-20UNEF	1.06	26.8	0.65	16.5	0.92	23.4	1.40	35.5	05
16	15/16-20UNEF	1.17	29.8	0.66	16.8	0.96	24.5	1.52	38.5	06
18	1 1/16-18UNEF	1.31	33.3	0.70	17.8	1.04	26.5	1.65	42.0	07
20	1 3/16-18UNEF	1.43	36.3	0.71	18.1	1.12	28.5	1.79	45.5	08
22	1 5/16-18UNEF	1.57	39.8	0.73	18.5	1.18	30.0	1.91	48.5	09
24	1 7/16-18UNEF	1.69	42.8	0.78	19.7	1.24	31.5	2.03	51.5	10

**F INTERFACE**

SHELL SIZE	A THREAD	ØB MAX		C MAX		D MAX		E MAX		MAX ENTRY
		in	mm	in	mm	in	mm	in	mm	
08	7/16-28UNEF	0.66	16.8	0.50	12.7	0.60	15.3	0.87	22.1	02
10	9/16-24UNEF	0.80	20.3	0.52	13.3	0.67	16.9	1.00	25.3	03
12	11/16-24UNEF	0.92	23.4	0.55	13.9	0.73	18.5	1.12	28.4	04
14	13/16-20UNEF	1.06	26.8	0.58	14.7	0.79	20.1	1.25	31.6	05
16	15/16-20UNEF	1.18	30.0	0.60	15.4	0.85	21.7	1.37	34.8	06
18	1 1/16-18UNEF	1.31	33.3	0.61	15.4	0.92	23.2	1.50	38.0	07
20	1 3/16-18UNEF	1.44	36.5	0.66	16.7	0.98	24.8	1.62	41.1	08
22	1 5/16-18UNEF	1.56	39.7	0.68	17.4	1.04	26.4	1.75	44.3	09
24	1 7/16-18UNEF	1.69	42.9	0.68	17.4	1.10	28.0	1.		