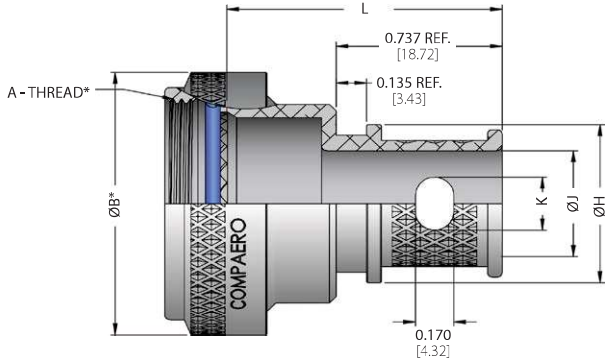
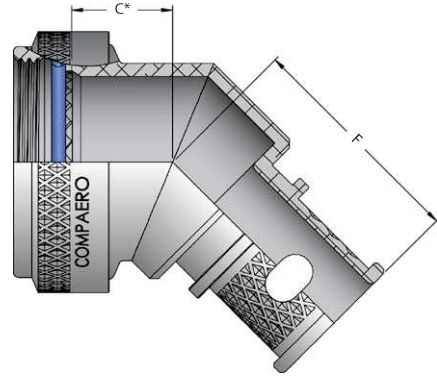


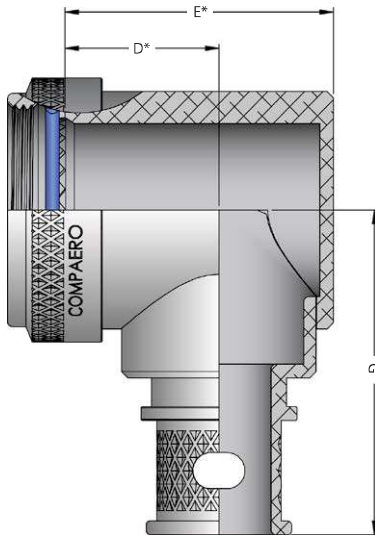
Angle 1 - Straight Rotatable Coupling



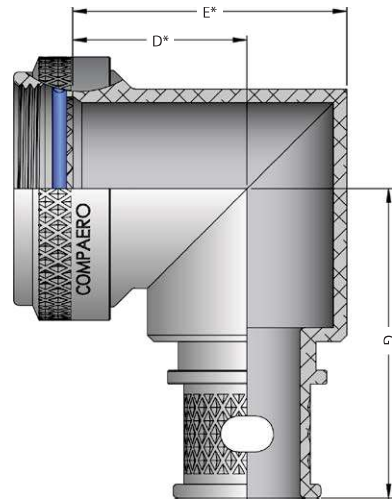
Angle 4 - 45 Degree



Angle 8 - 90 Degree



Angle 9 - 90 Degree Miter Cut



CPA 48 1 W D - 12 03 - B1 - VG0 - 8

- Compaero Identifier** — CPA
- Connector Interface** — 1
See page 6 for details
- Series Identifier** — 48
- Angle** — 1
- Material & Finish** — W
See page 7 for details
- Coupling Ring Option** — D
Omit for standard rotatable
- D** - Direct coupling
- E** - Seat-lock (Non-detent, self locking)
- S** - Self locking (Detent, ratchet style)
- T** - Safety wire holes
- W** - Wrench flats
See page 8 for details
- Length** — 12
See dimension L - In 0.25 Inch increments
Omit for 1.25" (Standard) & angled parts
- Shrink Boot Option** — 03
Omit for no boot - See website for details
- Banding Option** — B1
Omit for none
- S** - Constant Force Spring Band
- B** - Stamped Buckle Band (flat)
- B1** - Stamped Buckle Band (pre-coiled)
- M** - Stamped Buckle Mini Band (flat)
- M1** - Stamped Buckle Mini Band (pre-coiled)
See page 36 for details
- Cable Entry** — VG0
See table 2
- Shell Size** — 8
See table 1

*Refer to fold out interface tables
inches [millimeters]

SERIES 48

EMI/RFI Shrink Boot Bandstrap Adapter, Inner & Outer Screen Termination Environmental, Screened



Table 1 Shell Size

SHELL SIZE	F MAX		G MAX	
	in	mm	in	mm
08/09	1.02	25.9	1.29	32.8
10/11	1.04	26.4	1.35	34.3
12/13	1.07	27.2	1.42	36.1
14/15	1.10	27.9	1.48	37.6
16/17	1.12	28.4	1.54	39.1
18/19	1.13	28.7	1.57	39.9
20/21	1.16	29.5	1.63	41.4
22/23	1.19	30.2	1.70	43.2
24/25	1.21	30.7	1.76	44.7
28/29	1.24	31.5	1.82	46.2
32/33	1.29	32.8	1.95	49.5
36	1.33	33.8	2.04	51.8
40	1.38	35.1	2.17	55.1
44	1.43	36.3	2.29	58.2
48	1.48	37.6	2.42	61.5
61	1.20	30.5	1.73	43.9

Table 2 Entry Size

ENTRY SIZE	ØH MAX		ØJ		K		NUMBER OF SLOTS
	in	mm	in	mm	in	mm	
01	0.392	10.0	0.125	3.2	Ø0.125	Ø3.2	1
31	0.455	11.5	0.188	4.8	Ø0.170	Ø4.3	1
02	0.517	13.1	0.250	6.4	Ø0.170	Ø4.3	1
32	0.580	14.7	0.313	7.9	Ø0.170	Ø4.3	1
03	0.642	16.3	0.375	9.5	0.250	6.4	2
33	0.705	17.9	0.438	11.1	0.250	6.4	2
04	0.767	19.5	0.500	12.7	0.250	6.4	2
34	0.830	21.1	0.563	14.3	0.250	6.4	2
05	0.892	22.7	0.625	15.9	0.500	12.7	2
35	0.955	24.2	0.688	17.5	0.500	12.7	2
06	1.017	25.8	0.750	19.1	0.500	12.7	2
36	1.080	27.4	0.813	20.6	0.500	12.7	2
07	1.142	29.0	0.875	22.2	0.500	12.7	4
37	1.205	30.6	0.938	23.8	0.500	12.7	4
08	1.267	32.2	1.000	25.4	0.500	12.7	4
38	1.330	33.8	1.063	27.0	0.500	12.7	4
09	1.392	35.4	1.125	28.6	0.500	12.7	4
10	1.517	38.5	1.250	31.8	0.750	19.1	4
11	1.642	41.7	1.375	34.9	0.750	19.1	4
12	1.767	44.9	1.500	38.1	1.000	25.4	4
13	1.892	48.1	1.625	41.3	1.000	25.4	4
14	2.017	51.2	1.750	44.5	1.000	25.4	4
15	2.142	54.4	1.875	47.6	1.000	25.4	4
16	2.267	57.6	2.000	50.8	1.000	25.4	4

inches millimeters
Tolerance ±0.01±0.25

Compaero offer termination solutions for virtually all known connector interfaces, the variants highlighted below are our standard lines, available on all product lines shown in this catalog.

To discuss connector interface options not shown, please contact your local sales representative, or visit www.compaero.com

CONNECTOR INTERFACE	INTERFACE CODE
EN2997, ESC10, ESC11	A
EN3645	H
MIL-DTL-26482 SERIES I SOLDER MS3110, MS3116 WITHOUT ACCESSORY TEETH	DK
MIL-DTL-26482 SERIES II MS3470, MS3471, MS3472, MS3474, MS3475, MS3476	A
MIL-DTL-38999 SERIES I & II MS27466 - 68, MS27472 - 74, MS27479 - 81, MS27484, MS27497, MS27652, MS27653, M27656	F
MIL-DTL-38999 SERIES III & IV D38999/20, /24, /26, /40, /46, /47	H
MIL-DTL-5015 SOLDER M3100, MS3101, MS3106, Amphenol - Class A (Blue Insert)	BA*
MIL-DTL-5015 SOLDER M3100, MS3101, MS3106, Bendix - Class A, E & R	BB*
MIL-DTL-5015 SOLDER M3100, MS3101, MS3106, Cannon - Class A, E & R	BC*
MIL-DTL-5015 SOLDER M3100, MS3101, MS3106, Amphenol - Class R (Resilient Insert)	BR*
MIL-DTL-5015 CRIMP MS3400, MS3401, MS3404, MS3406, MS3450, MS3451, MS3454, MS3456	A
MIL-DTL-83723 SERIES I & III M83723 /1 - /8, /13, /14, /36 - /43, /48, /49, /65 - /78, /82 - /87, /91, /92, /95, /97, /98	A
BS9522 F0017 PATT 105 AMPHENOL 62GB	VA
VG95234 / BS9522 F0032 PATT 121B ABCIR RANGE	VB

* See page 39 for interface data

All Compaero backshells are available in a wide selection of material and plating combinations, from heavy duty marine applications to lightweight aerospace solutions, there is an option for almost any situation.

CODE	MIL SPEC CODE	MATERIAL	PLATING	PROCESS	ROHS COMPLIANT
B		Marine Bronze	Shotblast, Nonreflective	1000 Hour Salt Spray, Conductive -65 to +200°C	Yes
C	A	Aluminum	Anodize, Black	AMS-A-8625 Type II Class 2, 336 Hour Salt Spray, Non-Conductive -65 to +175°C	Yes
F	N, F	Aluminum	Electroless Nickel	AMS-C-26074 Class 4 Grade B; ASTM-B-733, SC 2, Type IV, 48 Hour Salt Spray, Conductive -65 to +200°C	Yes
G		Aluminum	Anodize, Hardcoat, Black	AMS-A-8625 Type III, Class 2, .001" thick, 336 Hour Salt Spray, Non-Conductive -65 to +200°C	Yes
KB	B	Stainless Steel	Cadmium, Black	SAE-AMS-QQ-P-416 Type II Class 3 1000 Hour Salt Spray, Conductive -65 to +175°C	No
K	S	Stainless Steel	Passivate	SAE-AMS-SAE-AMS-QQ-P-35 Type VI 1000 Hour Salt Spray, Conductive -65 to +200°C	Yes
KL		Stainless Steel	Electrodeposited Nickel	SAE-AMS-QQ-N-290 Class 1 Grade F 1000 Hour Salt Spray, Conductive -65 to +200°C	Yes
TR		Aluminum	Zinc-Nickel, Black	ASTM B841 Grade 5 over electroless nickel 500 Hour Salt Spray, Conductive -65 to +175°C	Yes
T		Aluminum	Zinc-Nickel, Black	ASTM B841 Grade 5 over electroless nickel 1000 Hour Salt Spray, Conductive -65 to +175°C	No
W	W	Aluminum	Cadmium, Olive Drab	SAE-AMS-QQ-P-416 Type II Class 2 over electroless nickel 1000 Hour Salt Spray, Conductive -65 to +175°C	No
X		Aluminum	Unplated		Yes
Y		Aluminum	Zinc-Cobalt, Olive Drab	ASTM B 840 Grade 6 Type D over electroless nickel, 350 Hour Salt Spray, Conductive -65 to +175°C	Yes
ZN		Aluminum	Zinc-Nickel, Olive Drab	ASTM B841 Grade 5 over electroless nickel 1000 Hour Salt Spray, Conductive -65 to +175°C	No
Z		Aluminum	Zinc-Cobalt, Black	ASTM B 840 Grade 6 Type D over electroless nickel 350 Hour Salt Spray, Conductive -65 to +175°C	Yes

For the full list of available options, please consult www.compaero.com
Please note that the colours shown above are for illustrative purposes only - actual finish colour may vary.

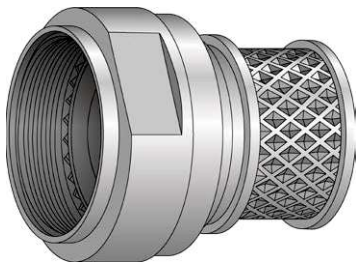
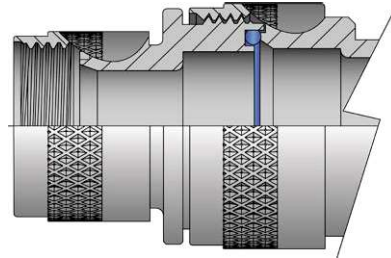
Type 2 Coupling Rings

When the selected cable entry exceeds the **MAX ENTRY** stated in the **INTERFACE TABLE**, you may choose to have a type 2 assembly. The two-piece assembly allows a large cable diameter to be maintained as close to the connector body as possible, allowing maximum continuation of screens and wire protection, whilst also providing an access point close to the connector.

To specify a type 2 assembly, place modification code -079 at the end of the part number when ordering.

Modification Code Example: CPA461W-1410-VG0-079

To receive a standard one-piece adapter, no modification code is needed.

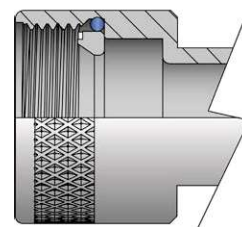


Wrench Flat Coupling Rings OPTION W

Wrench flats are an available option on most Compaero adapters and backshells, allowing for an easier way of tightening the coupling ring when working with reduced accessibility.

Direct Coupling Rings OPTION D

Available on straight adapters only.



Seat-Lock Coupling Rings, Non-Detent Self-Locking OPTION E

Using a spring loaded retaining ring, Compaero Seat-Lock coupling rings are a non detent way to achieve self locking. This option ensures that the accessory teeth of the connector mate properly with the teeth on the adapter or backshell by applying constant force between the two. The Compaero Seat-Lock option is an excellent choice if an easy, economical self locking solution is required.

Safety Wire Holes OPTION T

Safety wire holes can be specified on standard rotatable coupling rings for use with safety wire after installation. Safety wire ensures the coupling ring will not un-couple during shock and/or vibration. These are common on AS85049 accessories. When this option is specified the coupling ring will have 3 equally spaced wire holes (120 degrees apart), sufficient to accommodate 0.020 inch wire.

Self-Locking Coupling Rings, Detent OPTION S

Detent style self locking features a ratcheting coupling ring using non corrosive clips located within the coupling ring. Many AS85049 specifications specify this detent style self locking coupling ring making this one of the most popular ways of achieving a self locking adapter or backshell.

The above coupling ring options are available on most Compaero backshells and adapters. Please contact the sales team for more information.