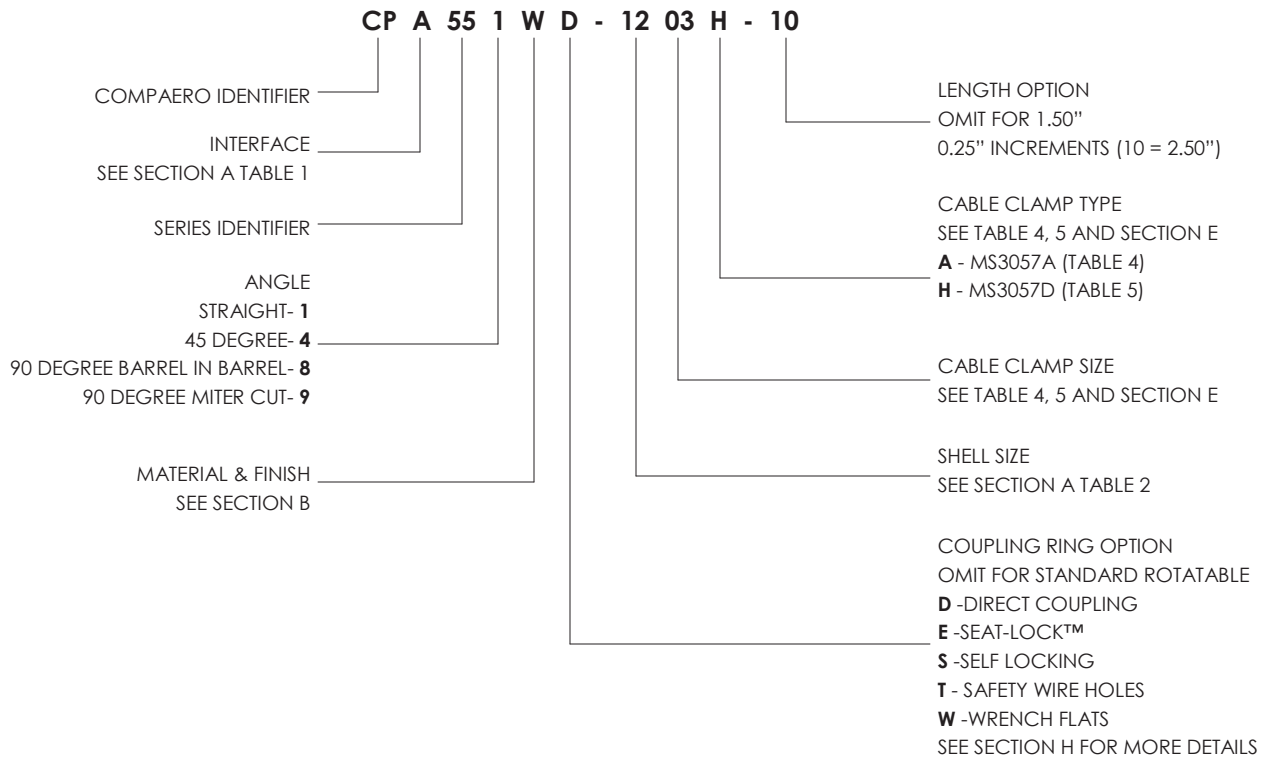


Series 55 backshells are an ideal economical choice for simple cable termination using a strain relief clamp. Clamp styles are available in MS3057A (Regular Duty) and MS3057D (Heavy Duty). Choose between straight, 45 and 90 degree angles. These backshells will accommodate wire and cable bundles with outside diameters ranging from 0.125" to 1.875"

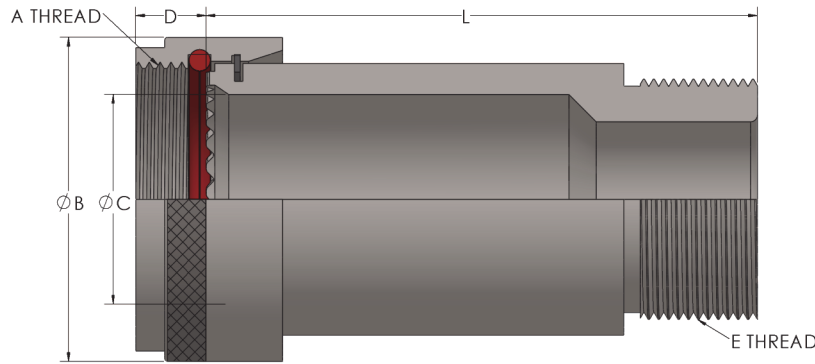
**Notes:**

1. All dimensions are in Inches
2. See Section G for torque information
3. When Cable Entry exceeds dimension 'C' a Style 2 adapter is supplied.  
Use MOD Code -014 for a one piece construction. See Section H for details.
4. Length on straight adapters will be 1.50" (**Dimension L**) unless otherwise specified in part number

**PART NUMBER BREAKDOWN**

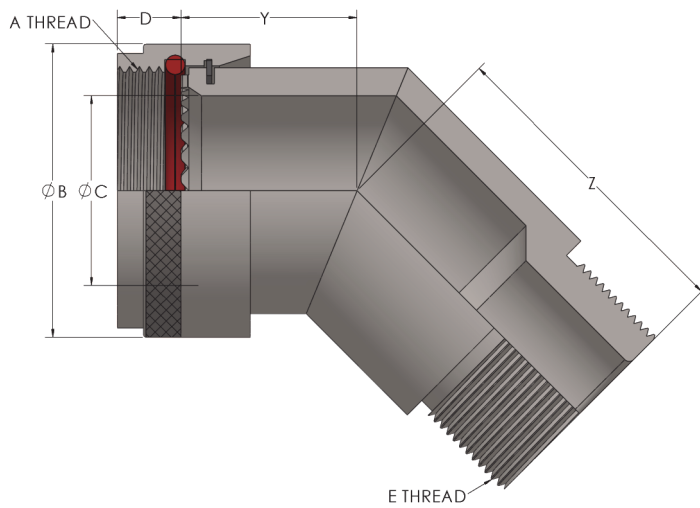


**DISCLAIMER:** All information is believed to be reliable. Readers should independently evaluate the suitability of each product for their application. Compaero makes no warranties as to the accuracy or completeness of the information herein and disclaims any liability regarding its use. Specifications are subject to change without notice. Compaero reserves the right to make changes, without notification to the customer, to processing or materials that do not affect compliance with any applicable specification. **Drawings are not to scale.**

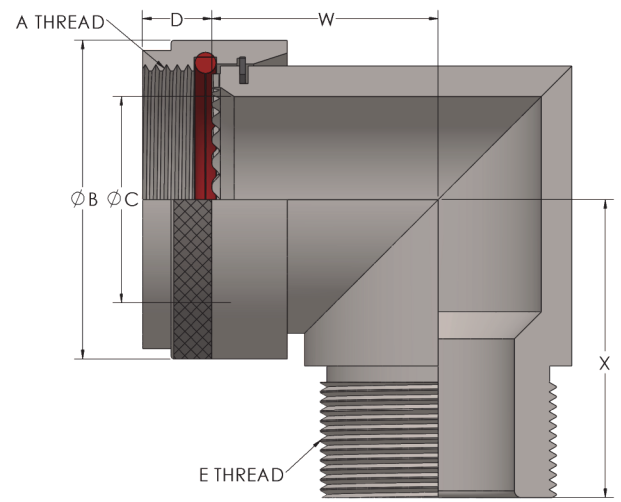


See **Section A** for A Thread, B, C and D Dimensions

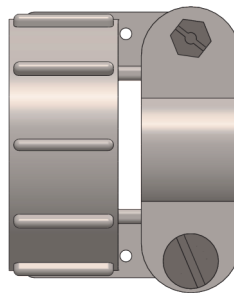
**Angle 1 - Straight Rotatable Coupling**



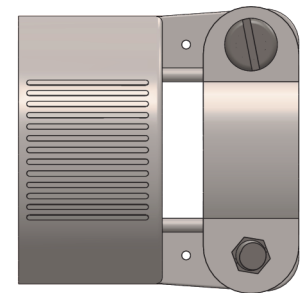
**Angle 4**  
45 Degrees



**Angle 9**  
90 Degree Miter



Order Code: **A**  
MS3057A - Regular Duty Clamp



Order Code: **H**  
MS3057D - Heavy Duty Clamp

**DISCLAIMER:** All information is believed to be reliable. Readers should independently evaluate the suitability of each product for their application. Compaero makes no warranties as to the accuracy or completeness of the information herein and disclaims any liability regarding its use. Specifications are subject to change without notice. Compaero reserves the right to make changes, without notification to the customer, to processing or materials that do not affect compliance with any applicable specification. **Drawings are not to scale.**

**TABLE 3 - DIMENSIONS**

SHELL SIZE	W REF	X REF	Y REF	Z REF
8, 9	0.612	0.844	0.727	1.040
10, 11	0.675	0.910	0.831	1.105
12, 13	0.698	0.973	0.886	1.168
14, 15	0.723	1.035	0.946	1.230
16, 17	0.748	1.098	1.008	1.262
18, 19	0.767	1.160	1.052	1.199
20, 21	0.793	1.223	1.115	1.324
22, 23	0.818	1.285	1.177	1.480
24, 25	0.844	1.348	1.240	1.605
28	0.904	1.408	1.300	1.665
32	0.964	1.468	1.360	1.725
36	1.024	1.528	1.420	1.785
40	1.084	1.588	1.480	1.845
44	1.144	1.648	1.540	1.905
48	1.204	1.708	1.600	1.965

**TABLE 4 - CABLE ENTRY - STYLE 'A' CLAMPS**

ENTRY CODE	CLAMP REF	MIN	MAX	D REF	E THREAD
01	MS3057-3A	0.156	0.250	0.250	1/2-28 UNEF
02	MS3057-4A	0.188	0.312	0.312	5/8-24 UNEF
03	MS3057-6A	0.281	0.438	0.438	3/4-20 UNEF
04	MS3057-8A	0.387	0.562	0.562	7/8-20 UNEF
05	MS3057-10A	0.375	0.625	0.625	1-20 UNEF
06	MS3057-12A	0.438	0.750	0.750	1 3/16-18 UNEF
07	MS3057-16A	0.625	0.938	0.938	1 7/16-18 UNEF
08	MS3057-20A	0.875	1.250	1.250	1 3/4-18 UNS
09	MS3057-24A	1.000	1.375	1.375	2 - 18 UNS
10	MS3057-28A	1.250	1.625	1.625	2 1/4-16 UN
11	MS3057-32A	1.437	1.875	1.875	2 1/2-16 UN

**TABLE 5 - CABLE ENTRY - STYLE 'H' CLAMPS**

ENTRY CODE	CLAMP REF	MIN	MAX	D REF	E THREAD
02	MS3057-4D	0.125	0.312	0.312	5/8-24 UNEF
03	MS3057-6D	0.250	0.437	0.437	3/4-20 UNEF
04	MS3057-8D	0.312	0.562	0.562	7/8-20 UNEF
05	MS3057-10D	0.350	0.625	0.625	1-20 UNEF
06	MS3057-12D	0.500	0.750	0.750	1 3/16-18 UNEF
07	MS3057-16D	0.625	0.937	0.937	1 7/16-18 UNEF
08	MS3057-20D	0.875	1.250	1.250	1 3/4-18 UNS
09	MS3057-24D	1.000	1.375	1.375	2 - 18 UNS
10	MS3057-28D	1.250	1.625	1.625	2 1/4-16 UN
11	MS3057-32D	1.437	1.875	1.875	2 1/2-16 UN

**DISCLAIMER:** All information is believed to be reliable. Readers should independently evaluate the suitability of each product for their application. Compaero makes no warranties as to the accuracy or completeness of the information herein and disclaims any liability regarding its use. Specifications are subject to change without notice. Compaero reserves the right to make changes, without notification to the customer, to processing or materials that do not affect compliance with any applicable specification. **Drawings are not to scale.**



COMMON (STOCKED) MATERIAL AND FINISHES			
COMPAERO FINISH CODE	AS85049 REF	MATERIAL	FINISH
F	N	Aluminum	Electroless nickel - In accordance with AMS-C-26074 or AMS2404. -65 to +200 °C
W	W	Aluminum	Cadmium - Olive drab over suitable underplate, 1000 hour salt spray -65 to +175 °C
K	S	Stainless Steel	Passivate - In accordance with AMS-QQ-P-35, AMS 2700, or ASTM A 967. -65 to + 200 °C

STYLE 1 MAX ENTRY REFERENCE CHART			
SHELL SIZE	MAX STYLE 1 ENTRY		
	INTERFACE A	INTERFACE F	INTERFACE H
8, 9	02	02	02
10, 11	02	02	02
12, 13	03	03	03
14, 15	04	04	05
16, 17	05	06	06
18, 19	06	06	06
20, 21	06	07	07
22, 23	07	07	07
24, 25	07	08	07
28	09	N/A	N/A
32	10	N/A	N/A
36	11	N/A	N/A
40	11	N/A	N/A

**DISCLAIMER:** All information is believed to be reliable. Readers should independently evaluate the suitability of each product for their application. Compaero makes no warranties as to the accuracy or completeness of the information herein and disclaims any liability regarding its use. Specifications are subject to change without notice. Compaero reserves the right to make changes, without notification to the customer, to processing or materials that do not affect compliance with any applicable specification. **Drawings are not to scale.**

Compaero manufactures connector accessories for most circular connector series. This section provides information on the more common interfaces. If the desired interface is not shown please contact Compaero. Table 2 contains Threads and dimensions of commonly used connector series. If the required dimensions are not shown please contact Compaero.

**TABLE 1 - CONNECTOR INTERFACE SPECIFICATION**

Interface Code	Connector Class
A	MIL-DTL-5015 Crimp (MS3400,MS3406; MS3450, MS3456,MS3459) MIL-DTL-26482 Series II (MS3470,MS3476) MIL-DTL-83723 Series I & III
B	MIL-DTL-5015 Solder (MS3100,MS3106) <b>See Table 3</b>
BK	MIL-DTL-83723 Series II
C	MIL-DTL-22992 Left Hand Thread
DK	MIL-DTL-26482 Series I Solder (MS3110, MS3116)
E	MIL-DTL-26500
F	MIL-DTL-38999 Series I & II
G	MIL-DTL-28840
H	MIL-DTL-38999 Series III & IV
J	MIL-DTL-81511 Series 1, 2, 3 & 4
V	ITT VEAM Reverse Bayonet
VA	BS9522, F0017 Patt.105 BS9522, N0001 Patt.603

**TABLE 3 - CONNECTOR INTERFACE B**

When selecting an accessory with Interface B use the chart below to specify the connector manufacturer being used. If the connector manufacturer is not known please contact Compaero. When generating a part number place the manufacturer letter found below directly after the Interface "B". Shell size of the connector accessory should match the connector shell size.

**Example: CPBA491W-1404**

The "B" indicates the connector is MIL-DTL-5015 Solder. The "A" indicates the Connector Manufacturer is Amphenol Class A. The "14" indicates the Amphenol Connector is a shell size 14.

Manufacturer Letter	Connector Manufacturer and/or Connector Class
A	Amphenol - Class A (Blue Insert)
B	Bendix - Class A, E & R
C	Cannon - Class A, E & R
R	Amphenol - Class R (Resilient Insert)

**DISCLAIMER:** All information is believed to be reliable. Readers should independently evaluate the suitability of each product for their application. Compaero makes no warranties as to the accuracy or completeness of the information herein and disclaims any liability regarding its use. Specifications are subject to change without notice. Compaero reserves the right to make changes, without notification to the customer, to processing or materials that do not affect compliance with any applicable specification. **Drawings are not to scale.**



**TABLE 2 - CONNECTOR INTERFACE TABLE**

INTERFACE (FROM TABLE 1)						DIMENSIONS FROM SERIES SPECIFICATION				
A	D	E	F	G	H	A THREAD	B REF	C REF	D REF (INT)	D REF (INT)
	08	08	08			7/16 - 28 UNEF	0.650	0.269		.188 (F)
					09 (A)	M12 X 1 - 6H	0.770	0.270	.248 (H)	
08						1/2 - 20 UNF	0.650	0.270	.305 (A)	
03	10	10	10			9/16 - 24 UNEF	0.770	0.520	.305 (A)	.188 (F)
					11 (B)	M15 X 1 - 6H	0.820	0.410	.248 (H)	
10						5/8 - 24 UNEF	0.770	0.375	.305 (A)	
	12		12			11/16 - 24 UNEF	0.890	0.645		.188 (F)
					13 (C)	M18 X 1 - 6H	0.940	0.520	.248 (H)	
12		12		11 (A)		3/4 - 20 UNEF	0.940	0.511	.305 (A)	
	14	14	14			13/16 - 20 UNEF	1.020	0.730		.188 (F)
					15 (D)	M22 X 1 - 6H	1.070	0.650	.248 (H)	
14				13 (B)		7/8 - 20 UNEF	1.020	0.585	.305 (A)	
	16	16	16			15/16 - 20 UNEF	1.150	0.855		.188 (F)
					17 (E)	M25 X 1 - 6H	1.210	0.780	.248 (H)	
16				15 (C)		1 - 20 UNEF	1.210	0.710	.305 (A)	
18	18	18	18			1 1/16 - 18 UNEF	1.230	0.789	.305 (A)	.188 (F)
					19 (F)	M28 X 1 - 6H	1.360	0.880	.248 (H)	
					17 (D)	1 1/8 - 18 UNEF	1.360	0.810		
20	20	20	20			1 3/16 - 18 UNEF	1.360	0.914	.305 (A)	.188 (F)
					21 (G)	M31 X 1 - 6H	1.480	1.010	.248 (H)	
					19 (E)	1 1/4 - 18 UNEF	1.530	0.946		
22	22	22	22			1 5/16 - 18 UNEF	1.480	1.039	.305 (A)	.188 (F)
					23 (H)	M34 X 1 - 6H	1.600	1.150	.248 (H)	
24	24	24	24	23 (F)		1 7/16 - 18 UNEF	1.730	1.154	.305 (A)	.188 (F)
					25 (J)	M37 X 1 - 6H	1.700	1.260	.248 (H)	
61						1 1/2 - 18 UNEF	1.670	1.194	.305 (A)	
				25 (G)		1 9/16 - UNEF	1.820	1.222		
28						1 3/4 - 18 UNS	1.970	1.389	.467 (A)	
				29 (H)		1 7/8 - 16 UN	2.190	1.422		
32						2 - 18 UNS	2.220	1.635	.467 (A)	
				33 (J)		2 1/16 - 16 UNS	2.440	1.672		
36						2 1/4 - 16 UN	2.470	1.850	.467 (A)	
40						2 1/2 - 16 UN	2.720	2.065	.467 (A)	
44						2 3/4 - 16 UN		2.320	.467 (A)	
48						3 - 16 UN		2.570	.467 (A)	

**DISCLAIMER:** All information is believed to be reliable. Readers should independently evaluate the suitability of each product for their application. Compaero makes no warranties as to the accuracy or completeness of the information herein and disclaims any liability regarding its use. Specifications are subject to change without notice. Compaero reserves the right to make changes, without notification to the customer, to processing or materials that do not affect compliance with any applicable specification. **Drawings are not to scale.**

Compaero employs traceable methods when sourcing and using material. All manufacturer certifications are kept on file and are available upon request. For more information please contact Compaero.

<b>Component</b>	<b>Material</b>
Barrels	Aluminum 6061 or 300 Series Stainless Steel
Barrel Castings	Aluminum Alloy A380
Braid / Shield	Tinned Copper per QQB-575
Clamp Bodies	Aluminum 6061 or 300 Series Stainless Steel
Clamp Grommets, Bushings	Neoprene, Silicone or Fluorosilicone
Clamp Nuts	300 Series Stainless Steel
Clamp Saddles	Aluminum 6061 or 300 Series Stainless Steel
Clamp Hardware	300 Series Stainless Steel
Coupling Rings	Aluminum 6061 or 300 Series Stainless Steel
E-Nuts	Aluminum 6061 or 300 Series Stainless Steel
Ferrules	Aluminum 6061 or 300 Series Stainless Steel
Followers	Aluminum 6061 or 300 Series Stainless Steel
O-Rings	Silicone
Retaining Rings	300 Series Stainless Steel
Self Locking Clips	Non Corrosive material

**DISCLAIMER:** All information is believed to be reliable. Readers should independently evaluate the suitability of each product for their application. Compaero makes no warranties as to the accuracy or completeness of the information herein and disclaims any liability regarding its use. Specifications are subject to change without notice. Compaero reserves the right to make changes, without notification to the customer, to processing or materials that do not affect compliance with any applicable specification. **Drawings are not to scale.**

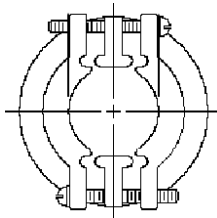
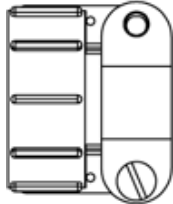
Table 1 shows common Compaero finishes and their Mil-Spec equivalents (where applicable).  
**Additional finishes are available upon request.**

**TABLE 1 - Common Material and Finish Codes**

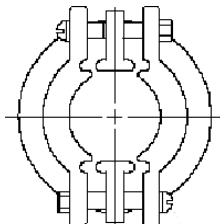
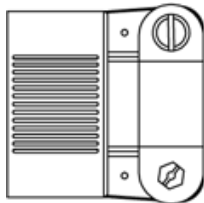
Compaero Ordering Code	AS85049	Material	Finish
C	A	Aluminum	Black anodize - In accordance with Class 2 of AMS-A-8625, Type II. -65 to +175 °C
F	N	Aluminum	Electroless nickel - In accordance with AMS-C-26074 or AMS2404. -65 to +200 °C
H	N/A	Aluminum	Clear Cadmium - SAE-AMS-QQ-P-416 Type II Class 2 over electroless nickel, 1000 Hour Salt Spray, Conductive -65 to +175°C
W	W	Aluminum	Cadmium, Olive drab over suitable underplate, 1000 hour salt spray -65 to +175 °C
P	X	Aluminum	Nickel fluorocarbon polymer. Nickel with fluorocarbon polymer additives over a suitable underplate to withstand
D	Y	Aluminum	Pure dense electrodeposited aluminum in accordance with MIL-DTL-83488, Type II, to withstand 500 hours of salt
T	Z	Aluminum	Zinc nickel, Black, in accordance with ASTM B841 over suitable underplate to withstand 1000 hours of salt spray testing.
Y	N/A	Aluminum	Zinc-Cobalt, Olive Drab, ASTM B 840 Grade 6 Type D over electroless nickel, 350 Hour Salt Spray, Conductive -65 to +175°C
Z	N/A	Aluminum	Zinc-Cobalt, Black, ASTM B 840 Grade 6 Type D over electroless nickel 350 Hour Salt Spray, Conductive -65 to +175°C
KB	B	Stainless Steel	Black cadmium - In accordance with AMS-QQ-P-416, Type II, Class 3. -65 to +175 °C
K	S	Stainless Steel	Passivate - In accordance with AMS-QQ-P-35, AMS 2700, or ASTM A 967. -65 to + 200 °C
KP	XS	Stainless Steel	Nickel fluorocarbon polymer. Nickel with fluorocarbon polymer additives over a suitable underplate to withstand
KD	YS	Stainless Steel	Pure dense electrodeposited aluminum in accordance with MIL-DTL-83488, Type II
KT	ZS	Stainless Steel	Zinc nickel in accordance with ASTM B841 over suitable underplate to withstand 1000 hours of salt spray testing
KN	N/A	Stainless Steel	Electrodeposited Nickel per SAE-AMS-QQ-N-290 Class 1 Grade F
M	T	Composite	Composite material without plating
MJ	J	Composite	Olive drab cadmium plate in accordance with AMS-QQ-P-416. To withstand 2000 hour salt spray. Finish shall be electrically conductive. -65 to + 175 °C
ML	L	Composite	Cadmium (olive drab) over electroless nickel, selective plating -65 to +175 °C
MM	M	Composite	Electrically conductive electroless nickel plating. Finish shall withstand 2000 hour salt spray. -65 to +200 °C

**DISCLAIMER:** All information is believed to be reliable. Readers should independently evaluate the suitability of each product for their application. Compaero makes no warranties as to the accuracy or completeness of the information herein and disclaims any liability regarding its use. Specifications are subject to change without notice. Compaero reserves the right to make changes, without notification to the customer, to processing or materials that do not affect compliance with any applicable specification. **Drawings are not to scale.**



**Order Code A - (MS3057A) Regular Duty Cable Clamp**


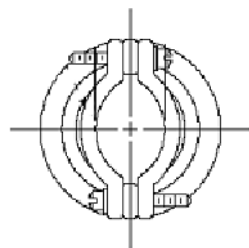
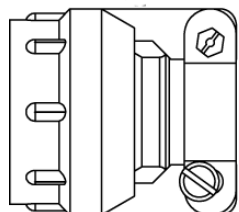
Entry Order Code	MS3057 Ref	Thread Class 2B	Cable Dia Min	Cable Dia Max	Bushing Reference
01	3A	1/2 - 28 UNEF	.156	.250	MS3420-3
02	4A	5/8 - 24 UNEF	.188	.312	MS3420-4
03	6A	3/4 - 20 UNEF	.281	.438	MS3420-6
04	8A	7/8 - 20 UNEF	.344	.562	MS3420-8
05	10A	1 - 20 UNEF	.375	.625	MS3420-10
06	12A	1 3/16 - 18 UNEF	.438	.750	MS3420-12
07	16A	1 7/16 - 18 UNEF	.562	.938	MS3420-16
08	20A	1 3/4 - 18 UNS	.750	1.250	MS3420-20
09	24A	2 - 18 UNS	.781	1.375	MS3420-24
10	28A	2 1/4 - 16 UN	.969	1.625	MS3420-28
11	32A	2 1/2 - 16 UN	1.125	1.875	MS3420-32
12	40A	3 - 16 UN	1.469	2.375	MS3420-40

**Order Code H - (MS3057D) Heavy Duty Cable Clamp**


Entry Order Code	MS3057 Ref.	Thread Class 2B	Cable Dia Min	Cable Dia Max
02	4D	5/8 - 24 UNEF	.125	.312
03	6D	3/4 - 20 UNEF	.250	.437
04	8D	7/8 - 20 UNEF	.312	.562
05	10D	1 - 20 UNEF	.350	.625
06	12D	1 3/16 - 18 UNEF	.500	.750
07	16D	1 7/16 - 18 UNEF	.625	.937
08	20D	1 3/4 - 18 UNS	.875	1.250
09	24D	2 - 18 UNS	1.000	1.375
10	28D	2 1/4 - 16 UN	1.250	1.625
11	32D	2 1/2 - 16 UN	1.437	1.875

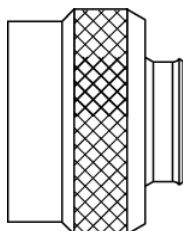
**DISCLAIMER:** All information is believed to be reliable. Readers should independently evaluate the suitability of each product for their application. Compaero makes no warranties as to the accuracy or completeness of the information herein and disclaims any liability regarding its use. Specifications are subject to change without notice. Compaero reserves the right to make changes, without notification to the customer, to processing or materials that do not affect compliance with any applicable specification. **Drawings are not to scale.**

**Order Code C - (MS3057C) Heavy Duty Environmental Cable Clamp**



Entry Order Code	MS3057 Ref	A Thread Class 2B	Cable Dia Min	Cable Dia Max	Bushing Reference
01	3C	1/2 - 28 UNEF	.156	.219	MS3420-3
02	4C	5/8 - 24 UNEF	.188	.312	MS3420-4
03	6C	3/4 - 20 UNEF	.281	.438	MS3420-6
04	8C	7/8 - 20 UNEF	.312	.562	MS3420-8
05	10C	1 - 20 UNEF	.375	.625	MS3420-10
06	12C	1 3/16 - 18 UNEF	.500	.750	MS3420-12
07	16C	1 7/16 - 18 UNEF	.625	.938	MS3420-16
08	20C	1 3/4 - 18 UNS	.938	1.250	MS3420-20
09	24C	2 - 18 UNS	1.000	1.375	MS3420-24
10	28C	2 1/4 - 16 UN	1.250	1.625	MS3420-28
11	32C	2 1/2 - 16 UN	1.500	1.875	MS3420-32

**Order Code E - Environmental Sealing Nut (without saddles)**



Entry Order Code	MS3057 Ref	A Thread Class 2B	Cable Dia Min	Cable Dia Max	Bushing Reference
01	3C	1/2 - 28 UNEF	.156	.219	MS3420-3
02	4C	5/8 - 24 UNEF	.188	.312	MS3420-4
03	6C	3/4 - 20 UNEF	.281	.438	MS3420-6
04	8C	7/8 - 20 UNEF	.312	.562	MS3420-8
05	10C	1 - 20 UNEF	.375	.625	MS3420-10
06	12C	1 3/16 - 18 UNEF	.500	.750	MS3420-12
07	16C	1 7/16 - 18 UNEF	.625	.938	MS3420-16
08	20C	1 3/4 - 18 UNS	.938	1.250	MS3420-20
09	24C	2 - 18 UNS	1.000	1.375	MS3420-24
10	28C	2 1/4 - 16 UN	1.250	1.625	MS3420-28
11	32C	2 1/2 - 16 UN	1.500	1.875	MS3420-32

**DISCLAIMER:** All information is believed to be reliable. Readers should independently evaluate the suitability of each product for their application. Compaero makes no warranties as to the accuracy or completeness of the information herein and disclaims any liability regarding its use. Specifications are subject to change without notice. Compaero reserves the right to make changes, without notification to the customer, to processing or materials that do not affect compliance with any applicable specification. **Drawings are not to scale.**



Shell Size	Connector Accessories onto Connector Threads Torque Values are in Inch-Pounds			
	MIL-DTL-5015 (MS3100) MIL-DTL-26500 MIL-DTL-81511	MIL-DTL-26482 S1 MIL-DTL-38999 S1 & S2	MIL-DTL-5015 (MS3400) MIL-DTL-26482 S2 MIL-DTL-28840	MIL-DTL-38999 S3 & S4 MIL-DTL-83723 MIL-DTL-22992
08, 09	30 - 40	30 - 40	51 - 61	51 - 61
10, 11	30 - 40	30 - 40	71 - 81	71 - 81
12, 13	35 - 45	35 - 45	103 - 113	103 - 113
14, 15	35 - 45	35 - 45	111 - 121	111 - 121
16, 17	35 - 45	35 - 45	111 - 121	111 - 121
18, 19	35 - 45	35 - 45	111 - 121	111 - 121
20, 21	75 - 85	75 - 85	131 - 141	131 - 141
22, 23	75 - 85	75 - 85	131 - 141	131 - 141
24, 25	75 - 85	75 - 85	131 - 141	131 - 141
28	115 - 125	115 - 125	143 - 153	143 - 153
32	115 - 125	115 - 125	143 - 153	143 - 153
36	115 - 125	115 - 125	143 - 153	143 - 153
40	155 - 165	155 - 165	159 - 169	159 - 169
44	155 - 165	155 - 165	159 - 169	159 - 169
48	155 - 165	155 - 165	159 - 169	159 - 169

Cable Clamps onto Backshells Torque Values are in Inch-Pounds	
Clamp Entry Size	Torque Value in Inch-Pounds
01	35 - 40
02	35 - 40
03	35 - 55
04	35 - 55
05	35 - 55
06	40 - 60
07	40 - 60
08	40 - 60
09	80 - 100
10	80 - 100
11	80 - 100
12	80 - 100

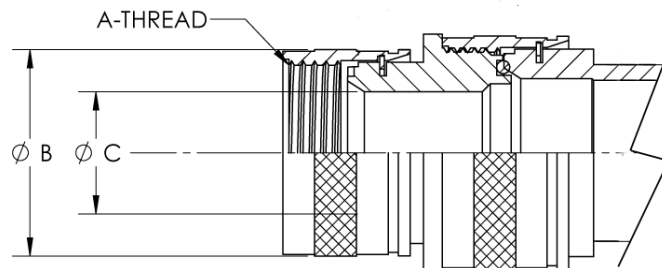
Cable Clamp Hardware (Screws)	
Thread	Torque Value in Inch-Pounds
2-56	1.5 - 2.5
4-40	3.5 - 4.5
6-32	5.0 - 7.0
8-32	7.0 - 9.0
10-32	9.0 - 11.0
1/4 - 20	11.0 - 13.0

**DISCLAIMER:** All information is believed to be reliable. Readers should independently evaluate the suitability of each product for their application. Compaero makes no warranties as to the accuracy or completeness of the information herein and disclaims any liability regarding its use. Specifications are subject to change without notice. Compaero reserves the right to make changes, without notification to the customer, to processing or materials that do not affect compliance with any applicable specification. **Drawings are not to scale.**

### Style 2 Coupling Rings

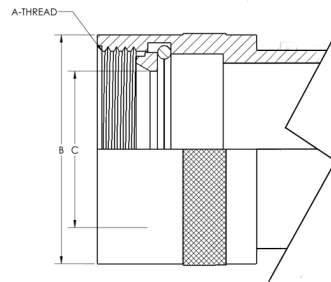
When the specified cable entry exceeds dimension C on the connector interface side, Style 2 will be used. Style 2 adapters will maintain environmental sealing and EMI/RFI shielding (if specified in the series). The specified overall length on a Style 2 adapter will be increased by 1.25" maximum, however, will be kept as minimal as possible. To specify a one piece adapter (Style 1 when Style 2 should be used) place a modification code -014 at the end of the part number when ordering.

**Modification Code Example:** CPA461W-1410-VG0-014



### Direct Coupling Rings (Option D)

Direct coupling rings can be specified on most Compaero adapters and backshells. Below is a diagram of a direct coupling ring when called out on a straight adapter or backshell. When specifying direct coupling on 45 and 90 degree parts a screw in adapter will be supplied.

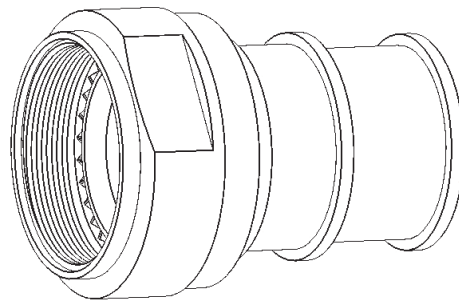


### Safety Wire Holes (Option T)

Safety wire holes can be specified on standard rotatable coupling rings to use with safety wire after installation. Safety wire ensures the coupling ring will not un-couple during shock and/or vibration. These are common on AS85049 accessories. When this option is specified the coupling ring will have 3 equally spaced wire holes (120 degrees apart). Safety Wire Holes are sufficient to accommodate 0.020 inch wire.

**Wrench Flat Coupling Rings (Option W)**

Common on most TACOM adapters, wrench flats are an available option on most Compaero adapters and backshells. Wrench flats allow for an easier way of screwing on the coupling ring (with a wrench) when working in tight spaces. For specifications on specific wrench flat dimensions (based on shell size and connector series) please contact Compaero.



**Self-Locking Coupling Rings, Detent (Option S)**

Detent style self locking feature a ratcheting coupling ring using non corrosive clips located within the coupling ring. Many AS85049 specifications specify this detent style self locking coupling ring making this one of the most popular ways of achieving a self locking adapter or backshell.

**Seat-Lock™ Coupling Rings, Non-Detent Self-Locking (Option E)**

Using a spring loaded retaining ring, Compaero Seat-Lock™ coupling rings are a non detent way to achieve self locking. This option also ensures that the accessory teeth of the connector mate properly with the teeth on the adapter or backshell by applying constant force between the two. The Compaero Seat-Lock™ option is an excellent choice if an easy, economical self locking solution is required.



**How To Order:**

CPA461WD-1203-B1-VG0-8



- COUPLING RING OPTION
- OMIT FOR STANDARD ROTATABLE
- D** -DIRECT COUPLING
- E** -SEAT-LOCK™
- S** -SELF LOCKING
- T** - SAFETY WIRE HOLES
- W** -WRENCH FLATS

**DISCLAIMER:** All information is believed to be reliable. Readers should independently evaluate the suitability of each product for their application. Compaero makes no warranties as to the accuracy or completeness of the information herein and disclaims any liability regarding its use. Specifications are subject to change without notice. Compaero reserves the right to make changes, without notification to the customer, to processing or materials that do not affect compliance with any applicable specification. **Drawings are not to scale.**