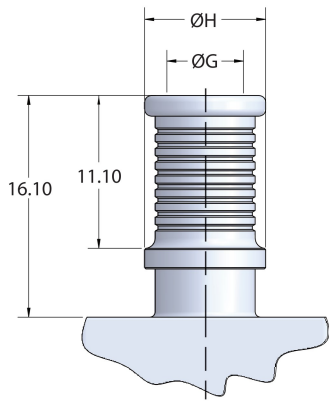
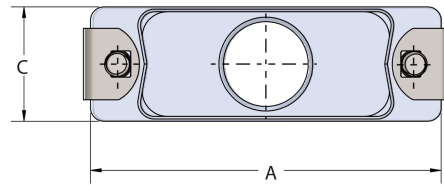
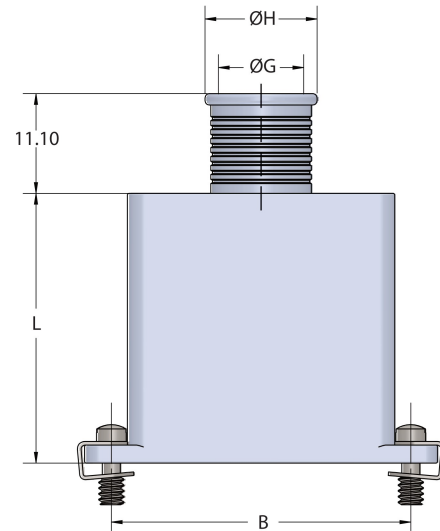
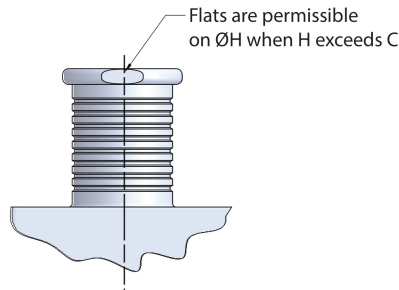


SERIES 46 - EMI/RFI ADAPTER

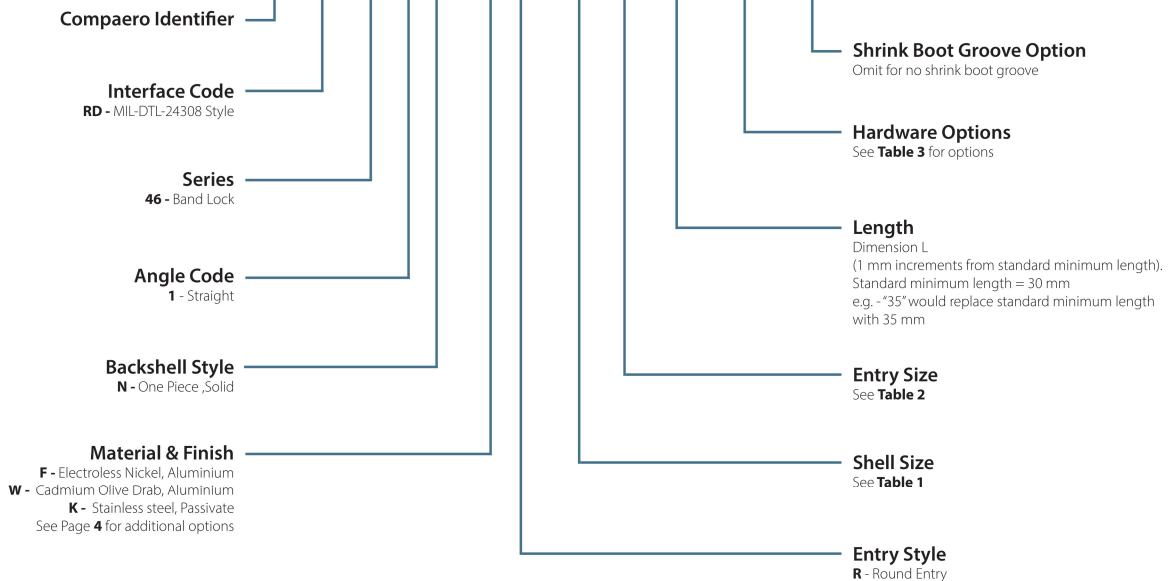
Solid Backshell, Round Entry, Straight
MIL-DTL-24308 Style



SG - Shrink Boot Groove Option



CP RD 46 1 N - W R - 15 04 -35 -NH - SG



SERIES 46 - EMI/RFI ADAPTER

Solid Backshell, Round Entry, Straight
MIL-DTL-24308 Style



Table 1 Shell Size

| SHELL SIZE | A | B | C | MAX ENTRY |
|------------|-------|-------|-------|-----------|
| 09 | 31.19 | 25.00 | 12.93 | 06 |
| 15 | 39.52 | 33.33 | 12.93 | 06 |
| 25 | 53.42 | 47.02 | 12.93 | 06 |
| 37 | 69.76 | 63.50 | 12.93 | 06 |
| 50 | 67.31 | 61.12 | 15.75 | 08 |
| 104 | 69.70 | 63.50 | 17.35 | 09 |

Table 2 Entry Size

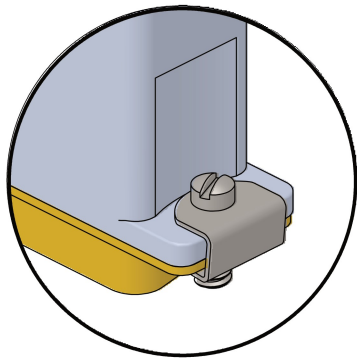
| ENTRY SIZE | ØG | ØH MAX |
|------------|-------|--------|
| 01 | 3.18 | 9.0 |
| 02 | 4.75 | 9.0 |
| 03 | 6.86 | 13.1 |
| 04 | 7.37 | 13.1 |
| 05 | 7.92 | 13.1 |
| 06 | 10.03 | 16.5 |
| 07 | 10.67 | 16.5 |
| 08 | 12.7 | 16.5 |
| 09 | 14.27 | 17.9 |

Table 3 Hardware Options

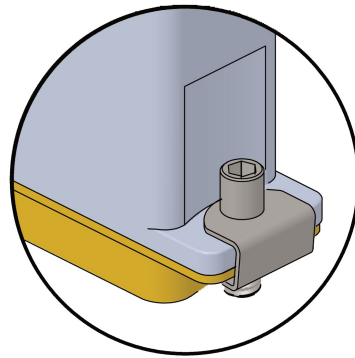
| ORDERING CODE | DESCRIPTION |
|---------------|---------------------------------|
| DSL | Slotted Head Screw (2) |
| DSK | Socket Head Screw (2) |
| DEL | Extended Slotted Head Screw (2) |
| DEK | Extended Socket Head Screw (2) |
| DFJ* | Female Jackpost (2) |
| NH | No Hardware |

* Not available with shell size 104

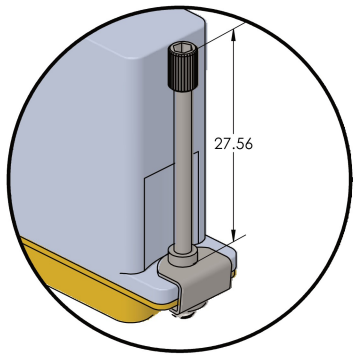
Tolerance
Linear ±0.25 mm
Angular ±1°



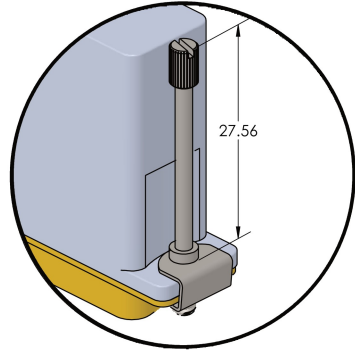
DSL - SLOTTED HEAD SCREW



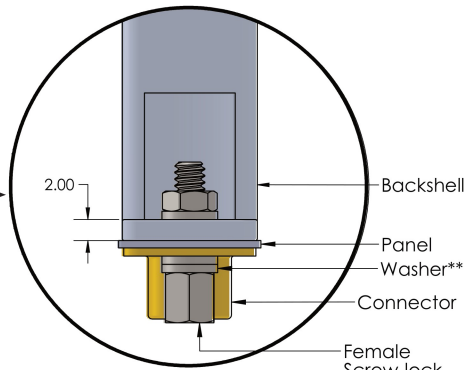
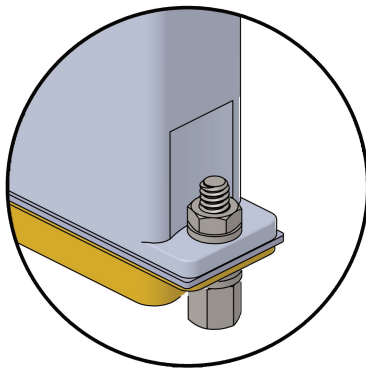
DSK - SOCKET HEAD SCREW



DEK - EXTENDED SOCKET HEAD SCREW



DEL - EXTENDED SLOTTED HEAD SCREW



*DFJ - FEMALE JACK POST

**Number of washers depends upon panel thickness. Consult factory for more details

* Not available with shell size 104

| COMPAERO ORDER CODE | MATERIAL | PLATING | PROCESS / PERFORMANCE |
|---------------------|------------------|-----------------------------------|---|
| AB | Aluminum | Cadmium, Black | SAE-AMS-QQ-P-416 Type II Class 3 (.0002 inch minimum) over electroless nickel (.0002 inch minimum) |
| AC | Aluminum | Cadmium, Olive Drab | SAE-AMS-QQ-P-416 Type II Class 3 (.0002 inch minimum) over electroless nickel (.0002 inch minimum) |
| AF | Aluminum | Chem Film | MIL-DTL-5541 Type 1 Class 3 |
| AG | Aluminum | Gold | MIL-DTL-45204 Class 1 over electroless nickel |
| AZ | Aluminum | Zinc-Cobalt, Black | ASTM B 840 Grade 6 Type D over electroless nickel |
| B | Marine Bronze | Shotblast, Nonreflective | |
| BF | Brass, Alloy 360 | Nickel Plated | |
| BU | Marine Bronze | Unplated | |
| C | Aluminum | Anodize, Black | AMS-A-8625 Type II Class 2 |
| CF | Copper | Electroless Nickel | C11000 Copper, Electroless Nickel |
| CH | Aluminum | Chromate | MIL-C-5541 Class 1A |
| CN | Aluminum | Cadmium, No Chromate | SAE-AMS-QQ-P-416 Type I Class 3 |
| CU | Copper | Unplated | C11000 Copper |
| D | Aluminum | AlumiPlate, Clear Chromate | MIL-DTL-83488, Class 2, Type II over electroless nickel |
| E | Aluminum | Cadmium, Olive Drab | SAE-AMS-QQ-P-416 Type II Class 3 |
| F | Aluminum | Electroless Nickel | AMS-C-26074 Class 4 Grade B OR ASTM-B-733, SC 2, Type IV |
| FT | Aluminum | Electroless Nickel | Mil-Std-171, 1.4.3.4, 0.001 Thickness |
| FZ | Aluminum | Shotblast then Electroless Nickel | AMS-C-26074 Class 4 Grade B; ASTM-B-733, SC 2, Type IV |
| G | Aluminum | Anodize, Hardcoat, Black | AMS-A-8625 Type III, Class 2, .001" thick |
| H | Aluminum | Cadmium, Clear | SAE-AMS-QQ-P-416 Type II Class 2 over electroless nickel (.0002 inch minimum), 0.0003 minimum chromate thickness |

| COMPAERO ORDER CODE | MATERIAL | PLATING | PROCESS / PERFORMANCE |
|---------------------|-----------------|--------------------------|---|
| HY | Aluminum | Cadmium, Yellow | SAE-AMS-QQ-P-416 Type II Class 2 over electroless nickel |
| J | Aluminum | Cadmium, Gold | SAE-AMS-QQ-P-416 Type II, Class 2 over electroless nickel |
| JF | Aluminum | Cadmium, Gold | SAE-AMS-QQ-P-416 Type II, Class 2 over electroless nickel |
| K | Stainless Steel | Passivated | SAE-AMS-QQ-P-35 Type VI |
| KA | Stainless Steel | Cadmium, Olive Drab | SAE-AMS-QQ-P-416 Type II Class 2 over electroless nickel |
| KB | Stainless Steel | Cadmium, Black | SAE-AMS-QQ-P-416 Type II Class 3 |
| KC | Stainless Steel | Zinc-Cobalt, Black | ASTM-B840, Grade 6 |
| KM | Stainless Steel | Electroless Nickel | AMS-C-26074 Class 1 Grade A |
| KP | Stainless Steel | Nickel-PTFE | GMF-002 Type II Class 3 |
| KR | Stainless Steel | Zinc-Cobalt, Black | ASTM-B840, Grade 6 Conductive |
| KZ | Stainless Steel | Shotblast and passivated | SAE-AMS-QQ-P-35 Type VI |
| L | Composite | Nickel-PTFE | GMS-002 Class 2 Type II |
| M | Composite | Unplated, Light Brown | Ultem 2000 |
| MA | Composite | Cadmium, Olive Drab | SAE-AMS-QQ-P-416 Type II Class 3 over electroless nickel |
| MB | Composite | Unplated, Black | Ultem 2000 |
| ML | Composite | AlumiPlate | MIL-DTL-86448, Class 2, Type II over electroless nickel |
| MN | Composite | Electroless Nickel | AMS-C-26074 |
| MZ | Composite | Zinc-Nickel, Black | ASTM B841 Grade 5 over electroless nickel |
| P | Aluminum | Nickel-PTFE | GMF-002 Type II Class 1 |
| SA | Aluminum | Sulfuric Anodize | MIL-A-8625 Type II, Class 2 |

| COMPAERO ORDER CODE | MATERIAL | PLATING | PROCESS / PERFORMANCE |
|---------------------|----------|---|---|
| T | Aluminum | Zinc-Nickel, Black | ASTM B841 Grade 5 over electroless nickel |
| TM | Titanium | Titanium | Electrodeposited Nickel SAE-AMS-QQ-N-290 Class 1 Grade F |
| TN | Aluminum | Bright Tin | ASTM-B-545; MIL-T-10727 |
| TR | Aluminum | Zinc-Nickel, Black | ASTM B841 Grade 5 over electroless nickel |
| U | Aluminum | Cadmium, Black | SAE-AMS-QQ-P-416 Type I Class 3 |
| W | Aluminum | Cadmium, Olive Drab | SAE-AMS-QQ-P-416 Type II Class 2 (.0003 inch minimum) over electroless nickel (.0002 inch minimum) |
| WF | Aluminum | Cadmium, Olive Drab - Selective Plating | Cadmium Olive Drab, Selective Electroless Nickel on EMI/RFI Banding Platforms |
| X0 | Aluminum | Unplated Aluminum, 6061-T6 | |
| Y | Aluminum | Zinc-Cobalt, Olive Drab | ASTM B 840 Grade 6 Type D over electroless nickel |
| Z | Aluminum | Zinc-Cobalt, Black | ASTM B 840 Grade 6 Type D |
| ZN | Aluminum | Zinc-Nickel, Olive Drab | ASTM B841 Grade 5 over electroless nickel |

For the full list of available options, please consult www.compaero.com