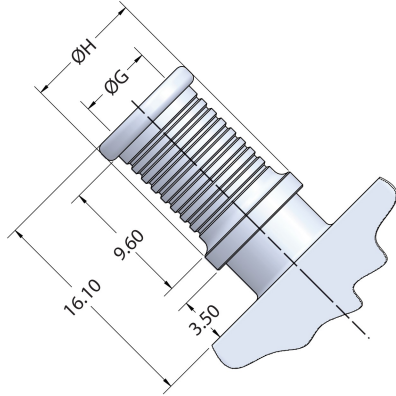


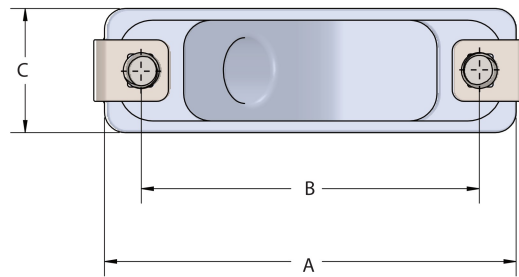
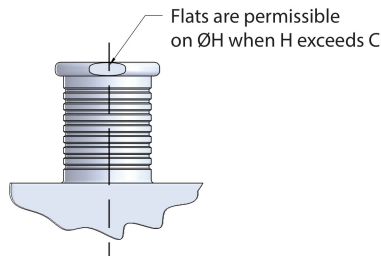
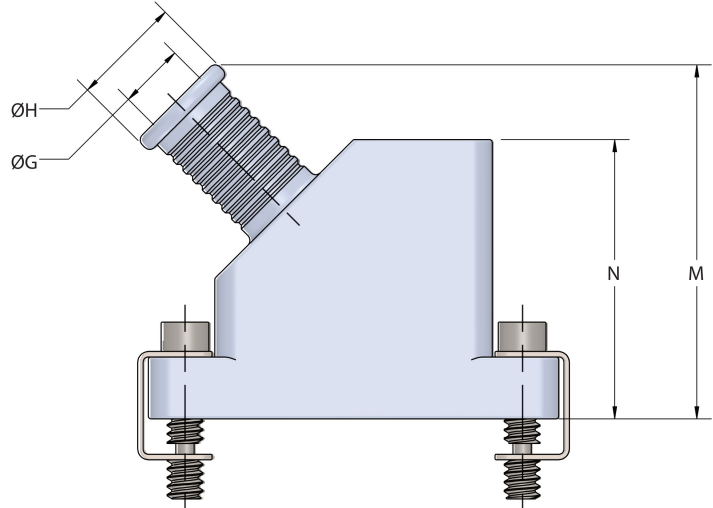
SERIES 46 - EMI/RFI ADAPTER

Solid Backshell, Round Entry, 45 Degree Left/Right
MIL-DTL-83513 Style

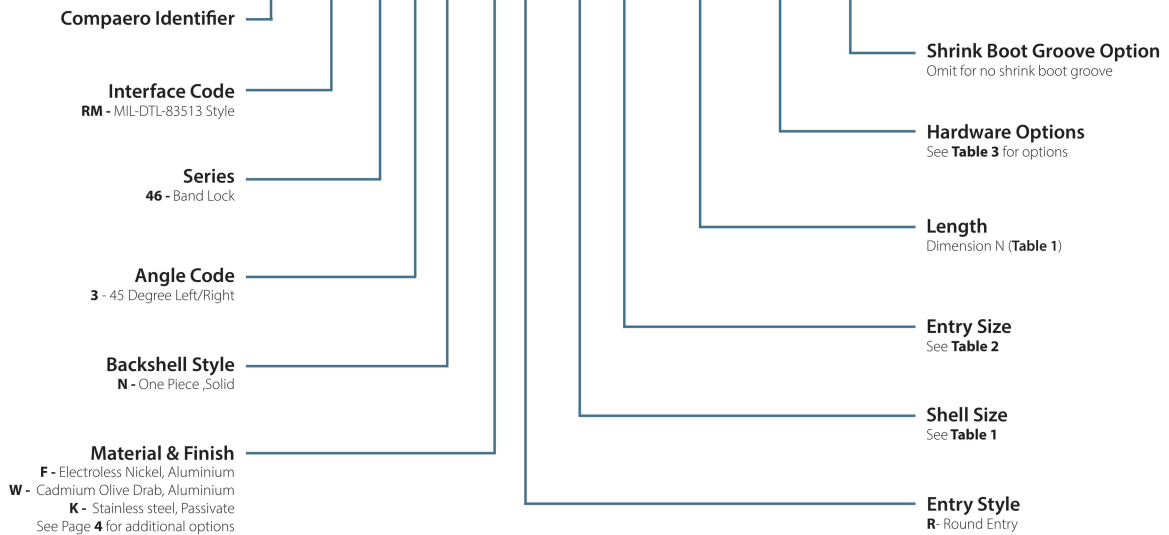
COMPAERO



SG - Shrink Boot Groove Option



CP RM 46 3 N - W R - 15 04 - 17.8 - NH - SG



DIMENSIONS IN MM - DRAWINGS NOT TO SCALE
THIS DRAWING IS THE PROPERTY OF COMPAERO, INC AND MUST NOT BE USED FOR
COMMERCIAL PURPOSES WITHOUT WRITTEN CONSENT OF THE COMPANY. DRAWING
CORRECT AT TIME OF PUBLISHING.

SERIES 46 - EMI/RFI ADAPTER

Solid Backshell, Round Entry, 45 Degree Left/Right
MIL-DTL-83513 Style



Table 1 Shell Size

| SHELL SIZE | A | B | C | M MAX | N | MAX ENTRY |
|------------|-------|-------|------|----------|------|--------------|
| 09 | 19.68 | 14.35 | 9.0 | 25.4 | 16.5 | 08 |
| 15 | 23.50 | 18.16 | 9.0 | 26.2 | 17.8 | 08 |
| 21 | 27.30 | 21.97 | 9.0 | 26.7 | 18.7 | 08 |
| 25 | 29.84 | 24.51 | 9.0 | 27.7 | 20.3 | 08 |
| 31 | 33.66 | 28.32 | 9.0 | 28.7 | 21.8 | 09 |
| 37 | 37.46 | 32.13 | 9.0 | 31.2 | 23.5 | 09 |
| 51 | 36.20 | 30.86 | 10.0 | 31.8 | 24.8 | 10 |
| 100 | 54.86 | 45.72 | 11.0 | 33.5 | 26.7 | 11 |

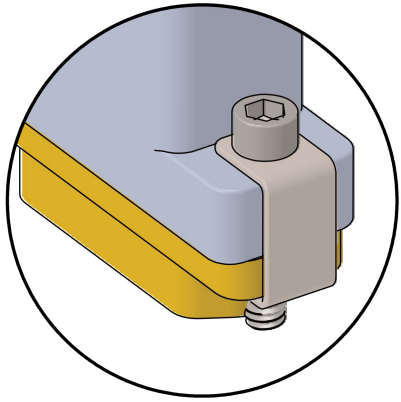
Table 2 Entry Size

| ENTRY SIZE | ØG MIN | ØH |
|------------|-----------|------|
| 03 | 1.60 | 4.8 |
| 04 | 3.18 | 6.4 |
| 05 | 3.97 | 7.2 |
| 06 | 4.77 | 8.0 |
| 07 | 5.56 | 8.8 |
| 08 | 6.35 | 9.6 |
| 09 | 7.14 | 10.4 |
| 10 | 7.94 | 11.2 |
| 11 | 8.73 | 12.0 |

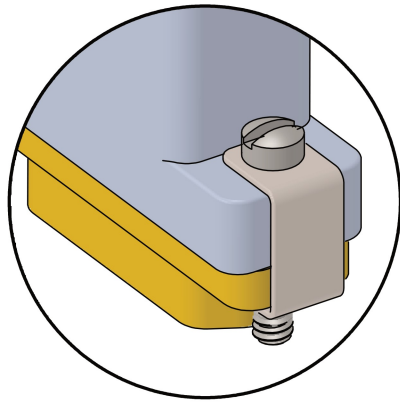
Table 3 Hardware Options

| ORDERING CODE | DESCRIPTION |
|------------------|------------------------|
| MSL | Slotted Head Screw (2) |
| MSK | Socket Head Screw (2) |
| NH | No Hardware |

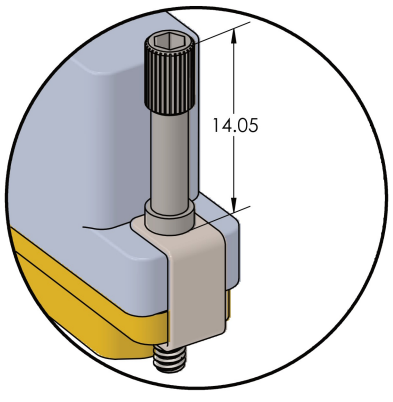
Tolerance
Linear ±0.25 mm
Angular ±1°



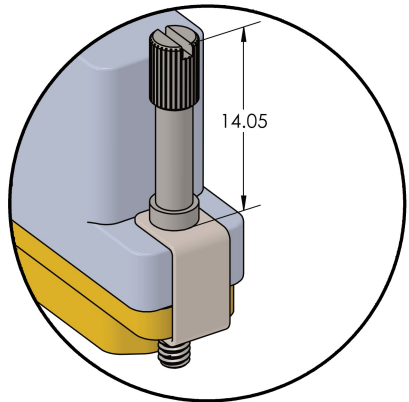
MSK - SOCKET HEAD SCREW



MSL - SLOTTED HEAD SCREW



MEK - EXTENDED SOCKET HEAD SCREW



MEL - EXTENDED SLOTTED HEAD SCREW

DIMENSIONS IN MM - DRAWINGS NOT TO SCALE
THIS DRAWING IS THE PROPERTY OF COMPAERO, INC AND MUST NOT BE USED FOR
COMMERCIAL PURPOSES WITHOUT WRITTEN CONSENT OF THE COMPANY. DRAWING
CORRECT AT TIME OF PUBLISHING.

| COMPAERO ORDER CODE | MATERIAL | PLATING | PROCESS / PERFORMANCE |
|---------------------|------------------|-----------------------------------|---|
| AB | Aluminum | Cadmium, Black | SAE-AMS-QQ-P-416 Type II Class 3 (.0002 inch minimum) over electroless nickel (.0002 inch minimum) |
| AC | Aluminum | Cadmium, Olive Drab | SAE-AMS-QQ-P-416 Type II Class 3 (.0002 inch minimum) over electroless nickel (.0002 inch minimum) |
| AF | Aluminum | Chem Film | MIL-DTL-5541 Type 1 Class 3 |
| AG | Aluminum | Gold | MIL-DTL-45204 Class 1 over electroless nickel |
| AZ | Aluminum | Zinc-Cobalt, Black | ASTM B 840 Grade 6 Type D over electroless nickel |
| B | Marine Bronze | Shotblast, Nonreflective | |
| BF | Brass, Alloy 360 | Nickel Plated | |
| BU | Marine Bronze | Unplated | |
| C | Aluminum | Anodize, Black | AMS-A-8625 Type II Class 2 |
| CF | Copper | Electroless Nickel | C11000 Copper, Electroless Nickel |
| CH | Aluminum | Chromate | MIL-C-5541 Class 1A |
| CN | Aluminum | Cadmium, No Chromate | SAE-AMS-QQ-P-416 Type I Class 3 |
| CU | Copper | Unplated | C11000 Copper |
| D | Aluminum | AlumiPlate, Clear Chromate | MIL-DTL-83488, Class 2, Type II over electroless nickel |
| E | Aluminum | Cadmium, Olive Drab | SAE-AMS-QQ-P-416 Type II Class 3 |
| F | Aluminum | Electroless Nickel | AMS-C-26074 Class 4 Grade B OR ASTM-B-733, SC 2, Type IV |
| FT | Aluminum | Electroless Nickel | Mil-Std-171, 1.4.3.4, 0.001 Thickness |
| FZ | Aluminum | Shotblast then Electroless Nickel | AMS-C-26074 Class 4 Grade B; ASTM-B-733, SC 2, Type IV |
| G | Aluminum | Anodize, Hardcoat, Black | AMS-A-8625 Type III, Class 2, .001" thick |
| H | Aluminum | Cadmium, Clear | SAE-AMS-QQ-P-416 Type II Class 2 over electroless nickel (.0002 inch minimum), 0.0003 minimum chromate thickness |

| COMPAERO ORDER CODE | MATERIAL | PLATING | PROCESS / PERFORMANCE |
|---------------------|-----------------|--------------------------|---|
| HY | Aluminum | Cadmium, Yellow | SAE-AMS-QQ-P-416 Type II Class 2 over electroless nickel |
| J | Aluminum | Cadmium, Gold | SAE-AMS-QQ-P-416 Type II, Class 2 over electroless nickel |
| JF | Aluminum | Cadmium, Gold | SAE-AMS-QQ-P-416 Type II, Class 2 over electroless nickel |
| K | Stainless Steel | Passivated | SAE-AMS-QQ-P-35 Type VI |
| KA | Stainless Steel | Cadmium, Olive Drab | SAE-AMS-QQ-P-416 Type II Class 2 over electroless nickel |
| KB | Stainless Steel | Cadmium, Black | SAE-AMS-QQ-P-416 Type II Class 3 |
| KC | Stainless Steel | Zinc-Cobalt, Black | ASTM-B840, Grade 6 |
| KM | Stainless Steel | Electroless Nickel | AMS-C-26074 Class 1 Grade A |
| KP | Stainless Steel | Nickel-PTFE | GMF-002 Type II Class 3 |
| KR | Stainless Steel | Zinc-Cobalt, Black | ASTM-B840, Grade 6 Conductive |
| KZ | Stainless Steel | Shotblast and passivated | SAE-AMS-QQ-P-35 Type VI |
| L | Composite | Nickel-PTFE | GMS-002 Class 2 Type II |
| M | Composite | Unplated, Light Brown | Ultem 2000 |
| MA | Composite | Cadmium, Olive Drab | SAE-AMS-QQ-P-416 Type II Class 3 over electroless nickel |
| MB | Composite | Unplated, Black | Ultem 2000 |
| ML | Composite | AlumiPlate | MIL-DTL-86448, Class 2, Type II over electroless nickel |
| MN | Composite | Electroless Nickel | AMS-C-26074 |
| MZ | Composite | Zinc-Nickel, Black | ASTM B841 Grade 5 over electroless nickel |
| P | Aluminum | Nickel-PTFE | GMF-002 Type II Class 1 |
| SA | Aluminum | Sulfuric Anodize | MIL-A-8625 Type II, Class 2 |

| COMPAERO ORDER CODE | MATERIAL | PLATING | PROCESS / PERFORMANCE |
|---------------------|----------|---|---|
| T | Aluminum | Zinc-Nickel, Black | ASTM B841 Grade 5 over electroless nickel |
| TM | Titanium | Titanium | Electrodeposited Nickel SAE-AMS-QQ-N-290 Class 1 Grade F |
| TN | Aluminum | Bright Tin | ASTM-B-545; MIL-T-10727 |
| TR | Aluminum | Zinc-Nickel, Black | ASTM B841 Grade 5 over electroless nickel |
| U | Aluminum | Cadmium, Black | SAE-AMS-QQ-P-416 Type I Class 3 |
| W | Aluminum | Cadmium, Olive Drab | SAE-AMS-QQ-P-416 Type II Class 2 (.0003 inch minimum) over electroless nickel (.0002 inch minimum) |
| WF | Aluminum | Cadmium, Olive Drab - Selective Plating | Cadmium Olive Drab, Selective Electroless Nickel on EMI/RFI Banding Platforms |
| X0 | Aluminum | Unplated Aluminum, 6061-T6 | |
| Y | Aluminum | Zinc-Cobalt, Olive Drab | ASTM B 840 Grade 6 Type D over electroless nickel |
| Z | Aluminum | Zinc-Cobalt, Black | ASTM B 840 Grade 6 Type D |
| ZN | Aluminum | Zinc-Nickel, Olive Drab | ASTM B841 Grade 5 over electroless nickel |

For the full list of available options, please consult www.compaero.com