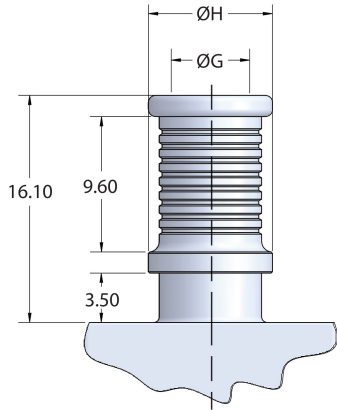


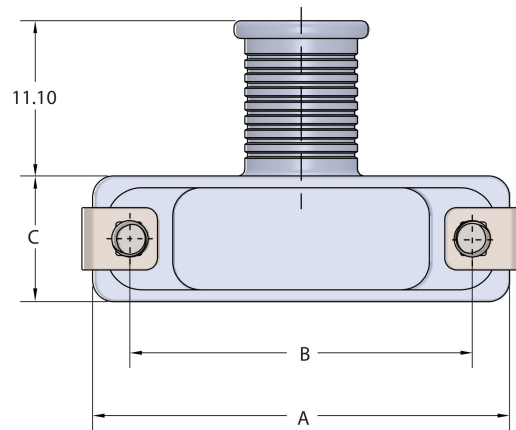
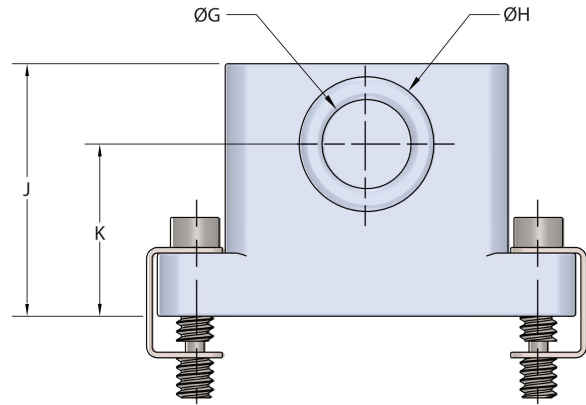
# SERIES 46 - EMI/RFI ADAPTER

Solid Backshell, Round Entry, 90 Degree Top/Bottom  
MIL-DTL-83513 Style

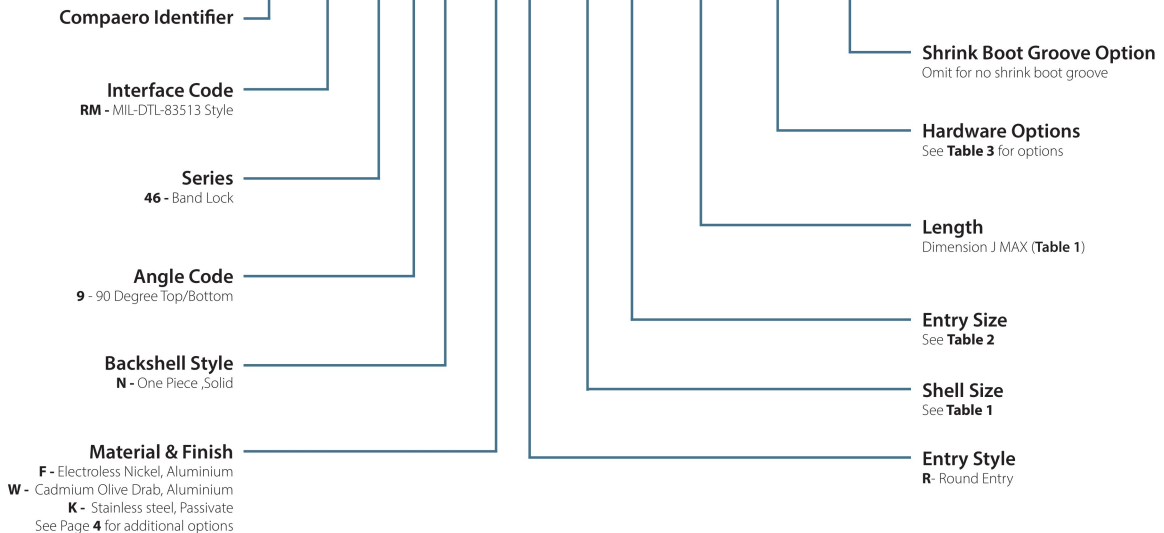
**COMPAERO**



SG - Shrink Boot Groove Option



## CP RM 46 9 N - W R - 15 04 - 17.5 - NH - SG



DIMENSIONS IN MM - DRAWINGS NOT TO SCALE  
THIS DRAWING IS THE PROPERTY OF COMPAERO, INC AND MUST NOT BE USED FOR  
COMMERCIAL PURPOSES WITHOUT WRITTEN CONSENT OF THE COMPANY. DRAWING  
CORRECT AT TIME OF PUBLISHING.

# SERIES 46 - EMI/RFI ADAPTER

Solid Backshell, Round Entry, 90 Degree Top/Bottom  
MIL-DTL-83513 Style



**Table 1** Shell Size

SHELL SIZE	A	B	C	J MAX	K	MAX ENTRY
09	19.68	14.35	9.0	16.5	11.05	10
15	23.50	18.16	9.0	17.5	11.2	12
21	27.30	21.97	9.0	18.3	11.63	13
25	29.84	24.51	9.0	19.3	12.27	14
31	33.66	28.32	9.0	19.5	12.09	15
37	37.46	32.13	9.0	20	12.14	16
51	36.20	30.86	10.0	22	13.91	17
100	54.86	45.72	11.0	26	17.45	18

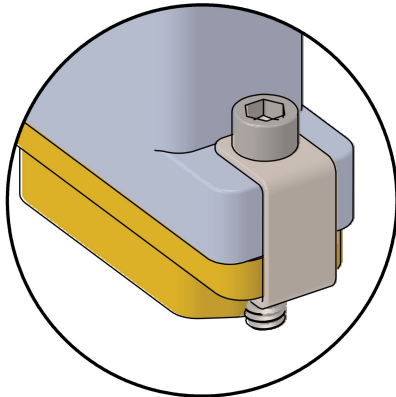
**Table 2** Entry Size

ENTRY SIZE	ØG MIN	ØH
03	1.60	4.8
04	3.18	6.4
05	3.97	7.2
06	4.77	8.0
07	5.56	8.8
08	6.35	9.6
09	7.14	10.4
10	7.94	11.2
11	8.73	12.0
12	9.52	12.8
13	10.31	13.5
14	11.10	14.3
15	11.89	15.1
16	12.70	15.9
17	13.47	16.7
18	14.26	17.5

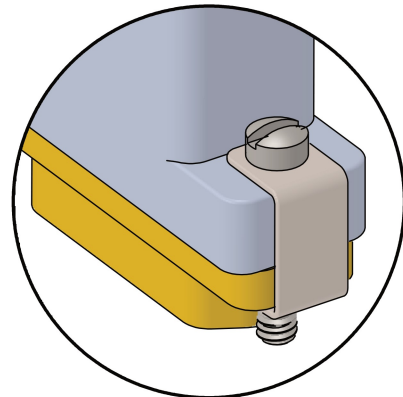
**Table 3** Hardware Options

ORDERING CODE	DESCRIPTION
MSL	Slotted Head Screw (2)
MSK	Socket Head Screw (2)
MEL	Extended Slotted Head Screw (2)
MEK	Extended Socket Head Screw (2)
NH	No Hardware

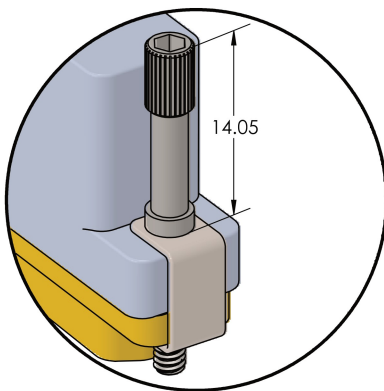
**Tolerance**  
Linear ±0.25 mm  
Angular ±1°



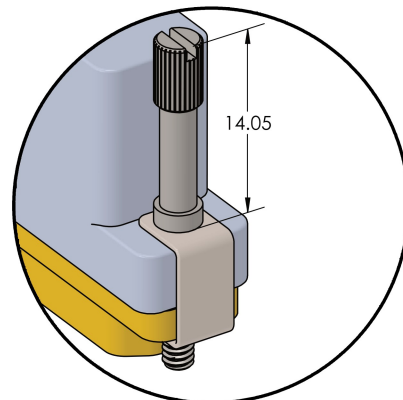
MSK - SOCKET HEAD SCREW



MSL - SLOTTED HEAD SCREW



MEK - EXTENDED SOCKET HEAD SCREW



MEL - EXTENDED SLOTTED HEAD SCREW

COMPAERO ORDER CODE	MATERIAL	PLATING	PROCESS / PERFORMANCE
AB	Aluminum	Cadmium, Black	SAE-AMS-QQ-P-416 Type II Class 3 ( .0002 inch minimum ) over electroless nickel ( .0002 inch minimum)
AC	Aluminum	Cadmium, Olive Drab	SAE-AMS-QQ-P-416 Type II Class 3 ( .0002 inch minimum ) over electroless nickel ( .0002 inch minimum)
AF	Aluminum	Chem Film	MIL-DTL-5541 Type 1 Class 3
AG	Aluminum	Gold	MIL-DTL-45204 Class 1 over electroless nickel
AZ	Aluminum	Zinc-Cobalt, Black	ASTM B 840 Grade 6 Type D over electroless nickel
B	Marine Bronze	Shotblast, Nonreflective	
BF	Brass, Alloy 360	Nickel Plated	
BU	Marine Bronze	Unplated	
C	Aluminum	Anodize, Black	AMS-A-8625 Type II Class 2
CF	Copper	Electroless Nickel	C11000 Copper, Electroless Nickel
CH	Aluminum	Chromate	MIL-C-5541 Class 1A
CN	Aluminum	Cadmium, No Chromate	SAE-AMS-QQ-P-416 Type I Class 3
CU	Copper	Unplated	C11000 Copper
D	Aluminum	AlumiPlate, Clear Chromate	MIL-DTL-83488, Class 2, Type II over electroless nickel
E	Aluminum	Cadmium, Olive Drab	SAE-AMS-QQ-P-416 Type II Class 3
F	Aluminum	Electroless Nickel	AMS-C-26074 Class 4 Grade B OR ASTM-B-733, SC 2, Type IV
FT	Aluminum	Electroless Nickel	Mil-Std-171, 1.4.3.4, 0.001 Thickness
FZ	Aluminum	Shotblast then Electroless Nickel	AMS-C-26074 Class 4 Grade B; ASTM-B-733, SC 2, Type IV
G	Aluminum	Anodize, Hardcoat, Black	AMS-A-8625 Type III, Class 2, .001" thick
H	Aluminum	Cadmium, Clear	SAE-AMS-QQ-P-416 Type II Class 2 over electroless nickel ( .0002 inch minimum), 0.0003 minimum chromate thickness

COMPAERO ORDER CODE	MATERIAL	PLATING	PROCESS / PERFORMANCE
HY	Aluminum	Cadmium, Yellow	SAE-AMS-QQ-P-416 Type II Class 2 over electroless nickel
J	Aluminum	Cadmium, Gold	SAE-AMS-QQ-P-416 Type II, Class 2 over electroless nickel
JF	Aluminum	Cadmium, Gold	SAE-AMS-QQ-P-416 Type II, Class 2 over electroless nickel
K	Stainless Steel	Passivated	SAE-AMS-QQ-P-35 Type VI
KA	Stainless Steel	Cadmium, Olive Drab	SAE-AMS-QQ-P-416 Type II Class 2 over electroless nickel
KB	Stainless Steel	Cadmium, Black	SAE-AMS-QQ-P-416 Type II Class 3
KC	Stainless Steel	Zinc-Cobalt, Black	ASTM-B840, Grade 6
KM	Stainless Steel	Electroless Nickel	AMS-C-26074 Class 1 Grade A
KP	Stainless Steel	Nickel-PTFE	GMF-002 Type II Class 3
KR	Stainless Steel	Zinc-Cobalt, Black	ASTM-B840, Grade 6 Conductive
KZ	Stainless Steel	Shotblast and passivated	SAE-AMS-QQ-P-35 Type VI
L	Composite	Nickel-PTFE	GMS-002 Class 2 Type II
M	Composite	Unplated, Light Brown	Ultem 2000
MA	Composite	Cadmium, Olive Drab	SAE-AMS-QQ-P-416 Type II Class 3 over electroless nickel
MB	Composite	Unplated, Black	Ultem 2000
ML	Composite	AlumiPlate	MIL-DTL-86448, Class 2, Type II over electroless nickel
MN	Composite	Electroless Nickel	AMS-C-26074
MZ	Composite	Zinc-Nickel, Black	ASTM B841 Grade 5 over electroless nickel
P	Aluminum	Nickel-PTFE	GMF-002 Type II Class 1
SA	Aluminum	Sulfuric Anodize	MIL-A-8625 Type II, Class 2

COMPAERO ORDER CODE	MATERIAL	PLATING	PROCESS / PERFORMANCE
T	Aluminum	Zinc-Nickel, Black	ASTM B841 Grade 5 over electroless nickel
TM	Titanium	Titanium	Electrodeposited Nickel SAE-AMS-QQ-N-290 Class 1 Grade F
TN	Aluminum	Bright Tin	ASTM-B-545; MIL-T-10727
TR	Aluminum	Zinc-Nickel, Black	ASTM B841 Grade 5 over electroless nickel
U	Aluminum	Cadmium, Black	SAE-AMS-QQ-P-416 Type I Class 3
W	Aluminum	Cadmium, Olive Drab	SAE-AMS-QQ-P-416 Type II Class 2 ( .0003 inch minimum ) over electroless nickel ( .0002 inch minimum)
WF	Aluminum	Cadmium, Olive Drab - Selective Plating	Cadmium Olive Drab, Selective Electroless Nickel on EMI/RFI Banding Platforms
X0	Aluminum	Unplated Aluminum, 6061-T6	
Y	Aluminum	Zinc-Cobalt, Olive Drab	ASTM B 840 Grade 6 Type D over electroless nickel
Z	Aluminum	Zinc-Cobalt, Black	ASTM B 840 Grade 6 Type D
ZN	Aluminum	Zinc-Nickel, Olive Drab	ASTM B841 Grade 5 over electroless nickel

For the full list of available options, please consult [www.compaero.com](http://www.compaero.com)