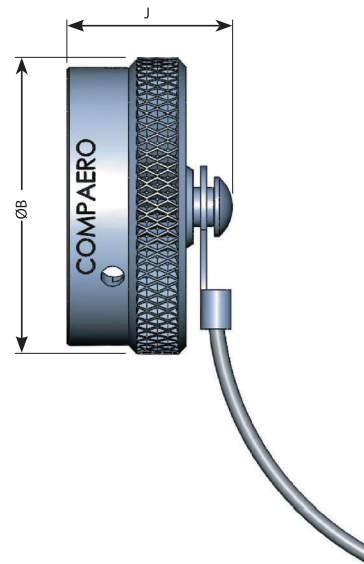
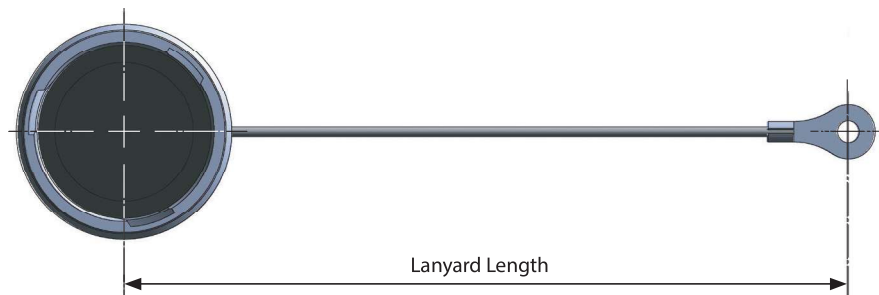


CPA 510 - Plug Cover



CPA 511 - Receptacle Cover



CPA 510-13 W-S5-22

- Compaero Identifier**
- Series Identifier**
510: MIL-DTL-38999 SERIES 2 PLUG
511: MIL-DTL-38999 SERIES 2 RECEPTACLE
- Shell Size**
- Finish & Material**
See Page 5
- Eyelet or Ring Size**
See Page 9
Enter "00" for a lanyard and length as specified with no eyelet or ring attached (Suffix A for 30° Ring).
- Lanyard Length in Inches (0.25" Increments Only)**
For 5 Inches use "5"
For 4.5 Inches use "4.5"
For 4.25 Inches use "4.25"
- Lanyard Style**
X - No accessory
S - Stainless Steel Sash Chain
G - Nylon Rope, Black
GW - Nylon Rope, Green
Y - Stainless Steel Wire Rope, Nylon Jacket
T - Stainless Steel Wire Rope, Teflon Jacket
R - Stainless Steel Wire Rope, PVC Jacket
CF - Crimp Ferrule Option
TR - Tie-Wrap Option
B - Stainless Steel Bead Chain
(See Page 8)

Table 1 CPA 510 Plug Cover Dimensions

SHELL SIZE	ØA MAX.		G MAX.		STD. LANYARD LENGTH*	
	in	mm	in	mm	in	mm
08	.72	18.29	.82	20.83	3.0	76.20
10	.85	21.59	.82	20.83	3.0	76.20
12	1.00	25.40	.82	20.83	3.5	88.90
14	1.13	28.70	.82	20.83	3.5	88.90
16	1.25	31.75	.82	20.83	3.5	88.90
18	1.38	35.05	.82	20.83	3.5	88.90
20	1.50	38.10	.82	20.83	4.0	101.60
22	1.63	41.40	.82	20.83	4.0	101.60
24	1.75	44.45	.82	20.83	4.0	101.60

* Tolerances for lanyard Length
inches :+.50/--.250
millimeters: +12.70/-6.35

Table 2 CPA 511 Receptacle Cover Dimensions

SHELL SIZE	ØB MAX.		J MAX.		STD. LANYARD LENGTH*	
	in	mm	in	mm	in	mm
08	.75	19.05	.82	20.83	3.0	76.20
10	.86	21.82	.82	20.83	3.0	76.20
12	1.03	26.19	.82	20.83	3.5	88.90
14	1.16	29.36	.82	20.83	3.5	88.90
16	1.28	32.54	.82	20.83	3.5	88.90
18	1.41	35.71	.82	20.83	3.5	88.90
20	1.53	38.89	.82	20.83	4.0	101.60
22	1.64	41.68	.82	20.83	4.0	101.60
24	1.77	44.86	.82	20.83	4.0	101.60

* Tolerances for lanyard Length
inches :+.50/--.250
millimeters: +12.70/-6.35