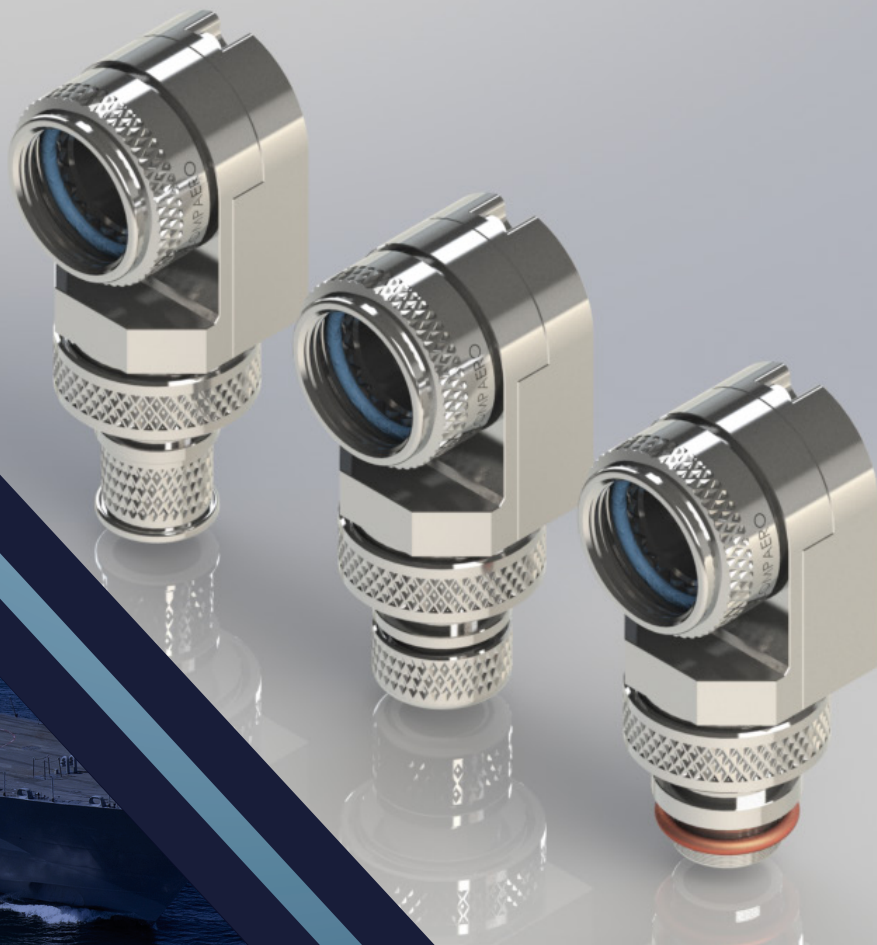


# COMPAERO

## LO-PRO SPLIT BACKSHELLS



# CONTENTS

Introduction.....	3
Connector Interface Codes.....	4
Material & Plating Options.....	5

## Lo-Pro Split Adapters

Series 31.....	6
Series 35.....	8
Series 46.....	10
Series 48.....	12
Series 49.....	14

## Accessories

CPTB Bands.....	16
Termination Accessories.....	18

## ADAPT TO ANY ENVIRONMENT...

Compaero manufacture and supply an extensive range of connector adapters to suit harsh environments across land, sea and air. Available solutions can provide both environmental and non-environmental sealing capabilities, effective EMI and RFI shielding and impressive strain relief options for almost any application.

Standard range adapters can be customized from a huge selection of options to ensure that your Compaero product is fully fit for purpose, whilst our team of experienced design engineers are on hand to work with you to provide bespoke solutions for more specific needs.



**EMI/RFI SHRINK BOOT ADAPTERS**  
Example Shown: Series 46

Shrink boot adapters provide an economical approach to terminating overall cable and harness shields while accepting a lipped shrink boot.



**ENVIRONMENTAL ADAPTERS**  
Example Shown: Series 60

Environmental adapters protect the wiring side of the connector from dust, dirt, moisture and fluids.



**EMI/RFI ENVIRONMENTAL ADAPTERS**  
Example Shown: Series 80

EMI/RFI Backshells enclose the cable in a tightly woven metal braid comprised of wire strands, creating an effective shield which helps to prevent EMI/RFI interference.

# CONNECTOR INTERFACE CODES

For standard circular interfaces



Compaero offer termination solutions for virtually all known connector interfaces, the variants highlighted below are our standard lines, available on all product lines shown in this catalogue.

To discuss connector interface options not shown, please contact your local sales representative, or visit [www.compaero.com](http://www.compaero.com)

CONNECTOR INTERFACE	INTERFACE CODE
EN2997, ESC10, ESC11	A
EN3645	H
MIL-DTL-26482-SERIES II	A
MIL-DTL-38999 SERIES I & II	F
MIL-DTL-38999 SERIES III & IV	H
MIL-DTL-5015 CRIMP	A
MIL-DTL-83723 SERIES I & III	A

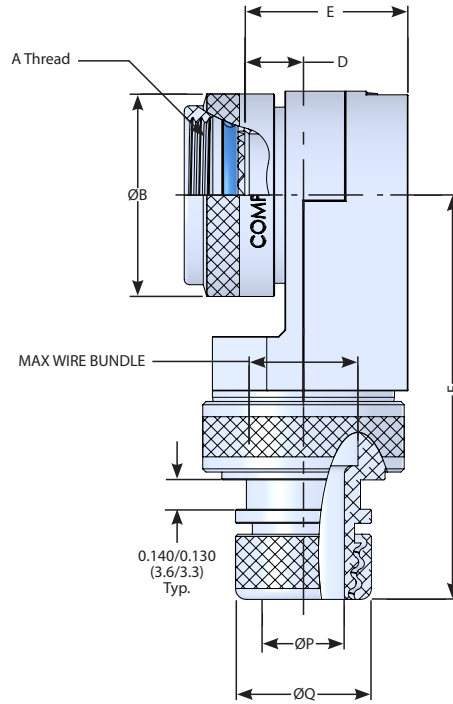
All Compaero backshells are available in a wide selection of material and plating combinations, from heavy duty marine applications to lightweight aerospace solutions, there is an option for almost any situation.

CODE	MIL SPEC CODE	MATERIAL	PLATING	PROCESS	ROHS COMPLIANT
B		Marine Bronze	Shotblast, Nonreflective	1000 Hour Salt Spray, Conductive -65 to +200°C	Yes
C	A	Aluminum	Anodize, Black	AMS-A-8625 Type II Class 2, 336 Hour Salt Spray, Non-Conductive -65 to +175°C	Yes
F	N, F	Aluminum	Electroless Nickel	AMS-C-26074 Class 4 Grade B; ASTM-B-733, SC 2, Type IV, 48 Hour Salt Spray, Conductive -65 to +200°C	Yes
G		Aluminum	Anodize, Hardcoat, Black	AMS-A-8625 Type III, Class 2, .001" thick, 336 Hour Salt Spray, Non-Conductive -65 to +200°C	Yes
KB	B	Stainless Steel	Cadmium, Black	SAE-AMS-QQ-P-416 Type II Class 3 1000 Hour Salt Spray, Conductive -65 to +175°C	No
K	S	Stainless Steel	Passivate	SAE-AMS-QQ-P-35 Type VI 1000 Hour Salt Spray, Conductive -65 to +200°C	Yes
KL		Stainless Steel	Electrodeposited Nickel	SAE-AMS-QQ-N-290 Class 1 Grade F 1000 Hour Salt Spray, Conductive -65 to +200°C	Yes
TR		Aluminum	Zinc-Nickel, Black	ASTM B841 Grade 5 over electroless nickel 500 Hour Salt Spray, Conductive -65 to +175°C	Yes
T		Aluminum	Zinc-Nickel, Black	ASTM B841 Grade 5 over electroless nickel 1000 Hour Salt Spray, Conductive -65 to +175°C	No
W	W	Aluminum	Cadmium, Olive Drab	SAE-AMS-QQ-P-416 Type II Class 2 over electroless nickel 1000 Hour Salt Spray, Conductive -65 to +175°C	No
X		Aluminum	Unplated		Yes
Y		Aluminum	Zinc-Cobalt, Olive Drab	ASTM B 840 Grade 6 Type D over electroless nickel, 350 Hour Salt Spray, Conductive -65 to +175°C	Yes
ZN		Aluminum	Zinc-Nickel, Olive Drab	ASTM B841 Grade 5 over electroless nickel 1000 Hour Salt Spray, Conductive -65 to +175°C	No
Z		Aluminum	Zinc-Cobalt, Black	ASTM B 840 Grade 6 Type D over electroless nickel 350 Hour Salt Spray, Conductive -65 to +175°C	Yes
WF	P	Aluminium	Cadmium, Olive Drab - Selective Plating	SAE-AMS-QQ-P-416 Type II Class 3 over electroless nickel Conductive -65 to +175°C Banding area of backshell free of cadmium plate	No
TF	ZP	Aluminium	Zinc Nickel Black selective plating	ASTM B841 Grade 5 over electroless nickel Conductive -65 to +175°C Banding area of backshell free of zinc nickel plating	Yes

For the full list of available options, please consult [www.compaero.com](http://www.compaero.com)

Please note that the colours shown above are for illustrative purposes only-actual finish colour may vary.

**Series 31- EMI/RFI Lamp Base Thread Adapter, Screened,  
Standard Rotatable Coupling**



**CP A 31 7 W - 12 03 - VG0**

**Compaero Identifier**

**Connector Interface**  
See Page 4 for Details

**Series Identifier**

**Angle**  
7= Ultra-Low Profile Split 90°

**Material & Finish**  
See Page 5 for details

**Shrink Boot Option**  
Omit for no boot - See Website for details

**Cable Entry**  
See table 2

**Shell Size**  
See table 1



**Table 1** Shell Size

SHELL SIZE	F MAX		D REF.		E MAX		MAX WIRE BUNDLE	
	in	mm	in	mm	in	mm	in	mm
08/09	2.020	51.3	0.340	8.6	0.681	17.3	0.250	6.4
10/11	2.180	55.4	0.270	6.9	0.731	18.6	0.375	9.5
12/13	2.180	55.4	0.270	6.9	0.731	18.6	0.375	9.5
14/15	2.250	57.2	0.280	7.1	0.831	21.1	0.500	12.7
16/17	2.300	58.4	0.420	10.7	0.981	24.9	0.625	15.9
18/19	2.330	59.2	0.640	16.3	1.181	30.0	0.625	15.9
20/21	2.330	59.2	0.640	16.3	1.181	30.0	0.625	15.9
22/23	2.480	63.0	0.540	13.7	1.181	30.0	0.750	19.1
24/25	2.480	63.0	0.540	13.7	1.181	30.0	0.750	19.1

**Table 2** Entry Size

ENTRY	ØP MAX		ØQ MAX	
	in	mm	in	mm
01	0.125	3.2	0.448	11.4
31	0.188	4.8	0.457	11.6
02	0.250	6.4	0.515	13.1
32	0.313	7.9	0.583	14.8
03	0.375	9.5	0.640	16.3
33	0.438	11.1	0.709	18.0
04	0.500	12.7	0.765	19.4
34	0.563	14.3	0.831	21.1
05	0.625	15.9	0.920	23.4
35	0.688	17.5	0.957	24.3
06	0.750	19.1	1.015	25.8

inches millimeters  
Tolerance ±0.015±0.4

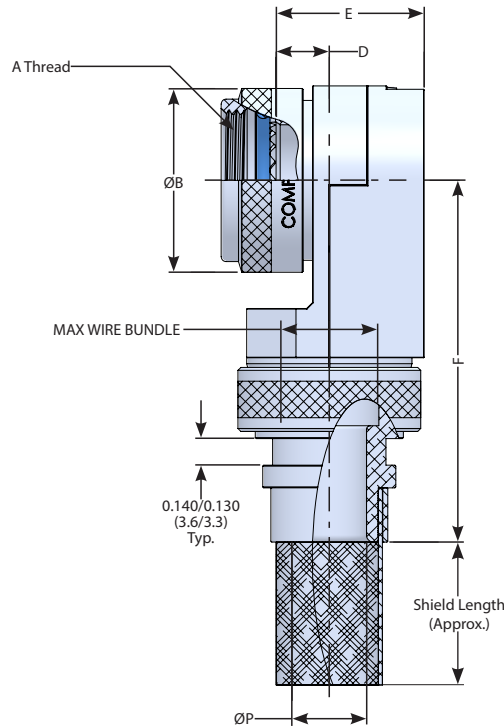
**Table 3** Interface Data

A INTERFACE		
SHELL SIZE	A THREAD	ØB MAX
		in mm
08	1/2-20 UNF	0.65 16.5
10	5/8-24 UNEF	0.77 19.6
12	3/4-20 UNEF	0.94 23.9
14	7/8-20 UNEF	1.02 25.9
16	1-20 UNEF	1.21 30.7
18	1 1/16-18 UNEF	1.23 31.2
20	1 3/16-18 UNEF	1.36 34.5
22	1 5/16-18 UNEF	1.48 37.6
24	1 7/16-18 UNEF	1.73 43.9

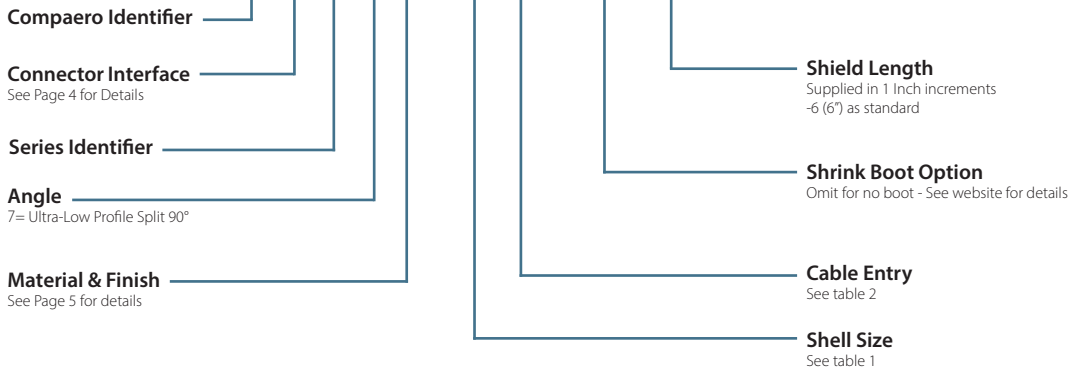
F INTERFACE		
SHELL SIZE	A THREAD	ØB MAX
		in mm
08	7/16-28 UNEF	0.65 16.5
10	9/16-24 UNEF	0.77 19.6
12	11/16-24 UNEF	0.89 22.6
14	13/16-20 UNEF	1.02 29.2
16	15/16-20 UNEF	1.15 29.2
18	1 1/16-18 UNEF	1.23 31.2
20	1 3/16-18 UNEF	1.36 34.5
22	1 5/16-18 UNEF	1.48 37.6
24	1 7/16-18 UNEF	1.73 43.9

H INTERFACE		
SHELL SIZE	A THREAD	ØB MAX
		in mm
09	M12x1.0 - 6 H	0.77 19.6
11	M15x1.0 - 6 H	0.82 20.8
13	M18x1.0 - 6 H	0.94 23.9
15	M22x1.0 - 6 H	1.07 26.2
17	M25x1.0 - 6 H	1.21 30.7
19	M28x1.0 - 6 H	1.36 34.5
21	M31x1.0 - 6 H	1.48 37.6
23	M34x1.0 - 6 H	1.60 40.6
25	M37x1.0 - 6 H	1.70 43.2

**Series 35-** Shield Sock Shrink Boot Adapter,  
Standard Rotatable Coupling



**CP A 35 7 W - 12 03 - VG0 - 6**







**Table 1** Shell Size

SHELL SIZE	F MAX		D REF.		E MAX		MAX WIRE BUNDLE	
	in	mm	in	mm	in	mm	in	mm
08/09	1.780	45.2	0.340	8.6	0.681	17.3	0.250	6.4
10/11	1.940	49.3	0.270	6.9	0.731	18.6	0.375	9.5
12/13	1.940	49.3	0.270	6.9	0.731	18.6	0.375	9.5
14/15	2.010	51.1	0.280	7.1	0.831	21.1	0.500	12.7
16/17	2.060	52.3	0.420	10.7	0.981	24.9	0.625	15.9
18/19	2.090	53.1	0.640	16.3	1.181	30.0	0.625	15.9
20/21	2.090	53.1	0.640	16.3	1.181	30.0	0.625	15.9
22/23	2.240	56.9	0.540	13.7	1.181	30.0	0.750	19.1
24/25	2.240	56.9	0.540	13.7	1.181	30.0	0.750	19.1

**Table 2** Entry Size

ENTRY	ØP	
	in	mm
01	0.125	3.2
31	0.188	4.8
02	0.250	6.4
32	0.312	7.9
03	0.375	9.5
33	0.438	11.1
04	0.500	12.7
34	0.562	14.3
05	0.625	15.9
35	0.688	17.5
06	0.750	19.1

inches millimeters  
Tolerance ±0.015±0.4

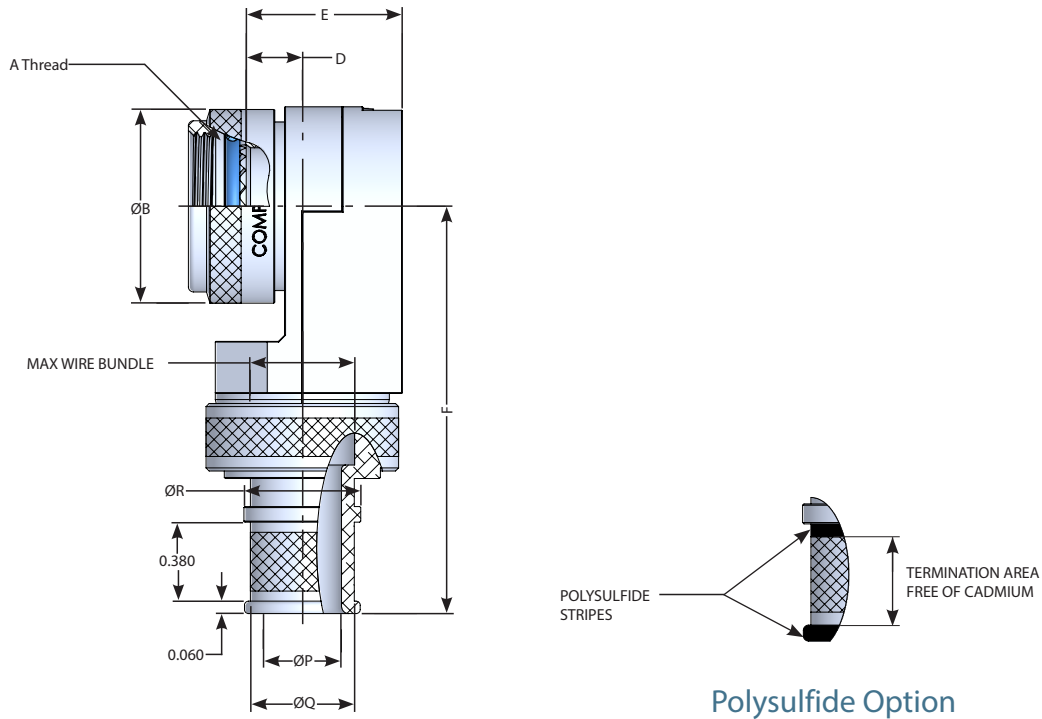
**Table 3** Interface Data

A INTERFACE		
SHELL SIZE	A THREAD	ØB MAX
		in mm
08	1/2-20 UNF	0.65 16.5
10	5/8-24 UNEF	0.77 19.6
12	3/4-20 UNEF	0.94 23.9
14	7/8-20 UNEF	1.02 25.9
16	1-20 UNEF	1.21 30.7
18	1 1/16-18 UNEF	1.23 31.2
20	1 3/16-18 UNEF	1.36 34.5
22	1 5/16-18 UNEF	1.48 37.6
24	1 7/16-18 UNEF	1.73 43.9

F INTERFACE		
SHELL SIZE	A THREAD	ØB MAX
		in mm
08	7/16-28 UNEF	0.65 16.5
10	9/16-24 UNEF	0.77 19.6
12	11/16-24 UNEF	0.89 22.6
14	13/16-20 UNEF	1.02 29.2
16	15/16-20 UNEF	1.15 29.2
18	1 1/16-18 UNEF	1.23 31.2
20	1 3/16-18 UNEF	1.36 34.5
22	1 5/16-18 UNEF	1.48 37.6
24	1 7/16-18 UNEF	1.73 43.9

H INTERFACE		
SHELL SIZE	A THREAD	ØB MAX
		in mm
09	M12x1.0 - 6 H	0.77 19.6
11	M15x1.0 - 6 H	0.82 20.8
13	M18x1.0 - 6 H	0.94 23.9
15	M22x1.0 - 6 H	1.07 26.2
17	M25x1.0 - 6 H	1.21 30.7
19	M28x1.0 - 6 H	1.36 34.5
21	M31x1.0 - 6 H	1.48 37.6
23	M34x1.0 - 6 H	1.60 40.6
25	M37x1.0 - 6 H	1.70 43.2

### Series 46- EMI/RFI Shrink Boot Banding Adapter, Screened, Standard Rotatable Coupling



Polysulfide Option

### CP A 46 7 W - 12 03 P - B1 - VG0

**Compaero Identifier**

**Connector Interface**  
See Page 4 for Details

**Series Identifier**

**Angle**  
7= Ultra-Low Profile Split 90°

**Material & Finish**  
See Page 5 for details

**Shrink Boot Option**

Omit for no boot - See website for details

**Banding Option**

Omit for none

**B** - Stamped Buckle Band (flat)

**B1** - Stamped Buckle Band (pre-coiled)

**M** - Stamped Buckle Band (flat)

**M1** - Stamped Buckle Mini Band (pre-coiled)

See Page 16 for details

**Polysulfide Option**

Omit for none

**Cable Entry**

See table 2

**Shell Size**

See table 1

# LO-PRO SPLIT

## Ultra Low Profile Split 90° Banding Adapter Series 46



**Table 1** Shell Size

SHELL SIZE	F MAX		D REF.		E MAX		MAX WIRE BUNDLE	
	in	mm	in	mm	in	mm	in	mm
08/09	1.915	48.6	0.340	8.6	0.681	17.3	0.250	6.4
10/11	2.075	52.7	0.270	6.9	0.731	18.6	0.375	9.5
12/13	2.075	52.7	0.270	6.9	0.731	18.6	0.375	9.5
14/15	2.145	54.5	0.280	7.1	0.831	21.1	0.500	12.7
16/17	2.195	55.8	0.420	10.7	0.981	24.9	0.625	15.9
18/19	2.225	56.5	0.640	16.3	1.181	30.0	0.625	15.9
20/21	2.225	56.5	0.640	16.3	1.181	30.0	0.625	15.9
22/23	2.375	60.3	0.610	15.5	1.311	33.3	0.875	22.2
24/25	2.500	63.5	0.680	17.3	1.431	36.3	1.000	25.4

**Table 2** Entry Size

ENTRY	ØP		ØQ		ØR	
	in	mm	in	mm	in	mm
01	0.125	3.2	0.250	6.4	0.312	7.9
31	0.188	4.8	0.312	7.9	0.374	9.5
02	0.250	6.4	0.375	9.5	0.437	11.1
32	0.312	7.9	0.438	11.1	0.500	12.7
03	0.375	9.5	0.500	12.7	0.562	14.3
33	0.438	11.1	0.562	14.3	0.624	15.8
04	0.500	12.7	0.625	15.9	0.687	17.4
34	0.562	14.3	0.688	17.5	0.750	19.1
05	0.625	15.9	0.750	19.1	0.812	20.6
35	0.688	17.5	0.812	20.6	0.874	22.2
06	0.750	19.1	0.875	22.2	0.937	23.8
36	0.812	20.6	0.938	23.8	1.000	25.4
07	0.875	22.2	1.000	25.4	1.062	27.0
37	0.938	23.8	1.062	27.0	1.124	28.5
08	1.000	25.4	1.125	28.6	1.187	30.1

inches millimeters  
Tolerance ±0.015±0.4

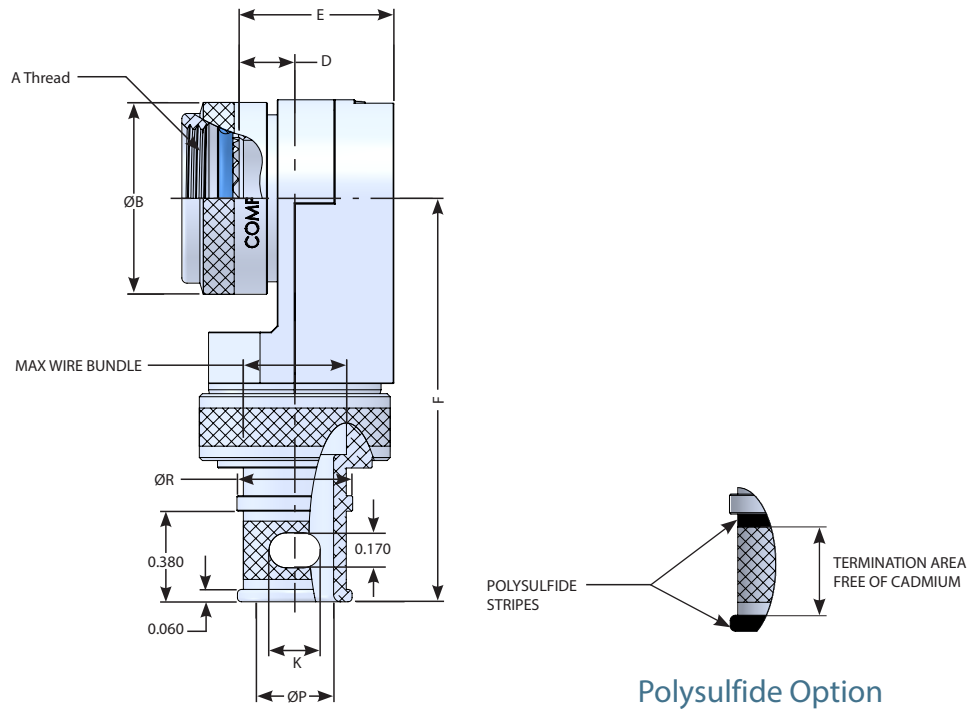
**Table 3** Interface Data

A INTERFACE		
SHELL SIZE	A THREAD	ØB MAX
		in mm
08	1/2-20 UNF	0.65 16.5
10	5/8-24 UNEF	0.77 19.6
12	3/4-20 UNEF	0.94 23.9
14	7/8-20 UNEF	1.02 25.9
16	1-20 UNEF	1.21 30.7
18	1 1/16-18 UNEF	1.23 31.2
20	1 3/16-18 UNEF	1.36 34.5
22	1 5/16-18 UNEF	1.48 37.6
24	1 7/16-18 UNEF	1.73 43.9

F INTERFACE		
SHELL SIZE	A THREAD	ØB MAX
		in mm
08	7/16-28 UNEF	0.65 16.5
10	9/16-24 UNEF	0.77 19.6
12	11/16-24 UNEF	0.89 22.6
14	13/16-20 UNEF	1.02 29.2
16	15/16-20 UNEF	1.15 29.2
18	1 1/16-18 UNEF	1.23 31.2
20	1 3/16-18 UNEF	1.36 34.5
22	1 5/16-18 UNEF	1.48 37.6
24	1 7/16-18 UNEF	1.73 43.9

H INTERFACE		
SHELL SIZE	A THREAD	ØB MAX
		in mm
09	M12x1.0 - 6 H	0.77 19.6
11	M15x1.0 - 6 H	0.82 20.8
13	M18x1.0 - 6 H	0.94 23.9
15	M22x1.0 - 6 H	1.07 26.2
17	M25x1.0 - 6 H	1.21 30.7
19	M28x1.0 - 6 H	1.36 34.5
21	M31x1.0 - 6 H	1.48 37.6
23	M34x1.0 - 6 H	1.60 40.6
25	M37x1.0 - 6 H	1.70 43.2

### Series 48- EMI/RFI Shrink Boot Banding Adapter, Inner & Outer Screen Termination ,Screened, Standard Rotatable Coupling



### CPA 48 7 W - 12 03 - B1 - VG0

- Compaero Identifier** — CPA
- Connector Interface** — 48  
See Page 4 for Details
- Series Identifier** — 7
- Angle** — W  
7= Ultra-Low Profile Split 90°
- Material & Finish** — 12 03  
See Page 5 for details
- Shrink Boot Option** — VG0  
Omit for no boot - See website for details
- Banding Option** — B1  
Omit for none  
B - Stamped Buckle Band (flat)  
B1 - Stamped Buckle Band (pre-coiled)  
M - Stamped Buckle Band (flat)  
M1 - Stamped Buckle Mini Band (pre-coiled)  
See Page 16 for details
- Cable Entry** — 12  
See table 2
- Shell Size** — 03  
See table 1

# LO-PRO SPLIT

Ultra Low Profile Split 90° Banding Adapter Series 48



**Table 1 Shell Size**

SHELL SIZE	F MAX		D REF.		E MAX		MAX WIRE BUNDLE	
	in	mm	in	mm	in	mm	in	mm
08/09	1.915	48.6	0.340	8.6	0.681	17.3	0.250	6.4
10/11	2.075	52.7	0.270	6.9	0.731	18.6	0.375	9.5
12/13	2.075	52.7	0.270	6.9	0.731	18.6	0.375	9.5
14/15	2.145	54.5	0.280	7.1	0.831	21.1	0.500	12.7
16/17	2.195	55.8	0.420	10.7	0.981	24.9	0.625	15.9
18/19	2.225	56.5	0.640	16.3	1.181	30.0	0.625	15.9
20/21	2.225	56.5	0.640	16.3	1.181	30.0	0.625	15.9
22/23	2.375	60.3	0.610	15.5	1.311	33.3	0.875	22.2
24/25	2.500	63.5	0.680	17.3	1.431	36.3	1.000	25.4

**Table 2 Entry Size**

ENTRY	ØP		ØR		K		NUMBER OF SLOTS
	in	mm	in	mm	in	mm	
01	0.125	3.2	0.312	7.9	0.125	3.2	1
31	0.188	4.8	0.374	9.5	0.170	4.3	1
02	0.250	6.4	0.437	11.1	0.170	4.3	1
32	0.312	7.9	0.500	12.7	0.170	4.3	1
03	0.375	9.5	0.562	14.3	0.250	6.4	2
33	0.438	11.1	0.624	15.8	0.250	6.4	2
04	0.500	12.7	0.687	17.4	0.250	6.4	2
34	0.562	14.3	0.750	19.1	0.250	6.4	2
05	0.625	15.9	0.812	20.6	0.500	12.7	2
35	0.688	17.5	0.874	22.2	0.500	12.7	2
06	0.750	19.1	0.937	23.8	0.500	12.7	2
36	0.812	20.6	1.000	25.4	0.500	12.7	2
07	0.875	22.2	1.062	27.0	0.500	12.7	4
37	0.938	23.8	1.124	28.5	0.500	12.7	4
08	1.000	25.4	1.187	30.1	0.500	12.7	4

inches millimeters  
Tolerance ±0.015±0.4

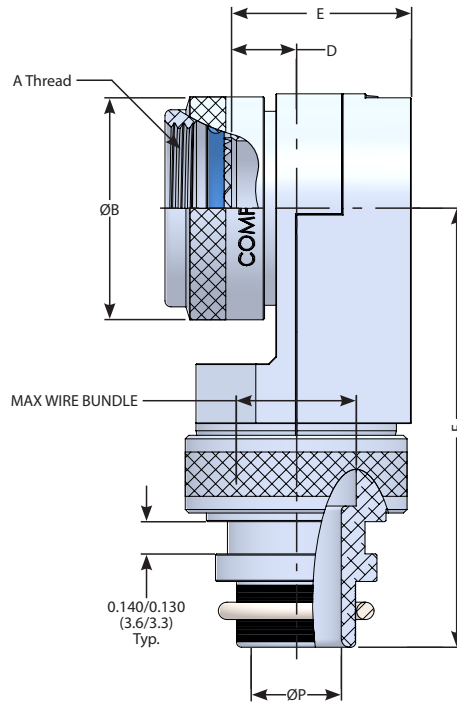
**Table 3 Interface Data**

SHELL SIZE	A INTERFACE	
	A THREAD	ØB MAX
		in mm
08	1/2-20 UNF	0.65 16.5
10	5/8-24 UNEF	0.77 19.6
12	3/4-20 UNEF	0.94 23.9
14	7/8-20 UNEF	1.02 25.9
16	1-20 UNEF	1.21 30.7
18	1 1/16-18 UNEF	1.23 31.2
20	1 3/16-18 UNEF	1.36 34.5
22	1 5/16-18 UNEF	1.48 37.6
24	1 7/16-18 UNEF	1.73 43.9

SHELL SIZE	F INTERFACE	
	A THREAD	ØB MAX
		in mm
08	7/16-28 UNEF	0.65 16.5
10	9/16-24 UNEF	0.77 19.6
12	11/16-24 UNEF	0.89 22.6
14	13/16-20 UNEF	1.02 29.2
16	15/16-20 UNEF	1.15 29.2
18	1 1/16-18 UNEF	1.23 31.2
20	1 3/16-18 UNEF	1.36 34.5
22	1 5/16-18 UNEF	1.48 37.6
24	1 7/16-18 UNEF	1.73 43.9

SHELL SIZE	H INTERFACE	
	A THREAD	ØB MAX
		in mm
09	M12x1.0 - 6 H	0.77 19.6
11	M15x1.0 - 6 H	0.82 20.8
13	M18x1.0 - 6 H	0.94 23.9
15	M22x1.0 - 6 H	1.07 26.2
17	M25x1.0 - 6 H	1.21 30.7
19	M28x1.0 - 6 H	1.36 34.5
21	M31x1.0 - 6 H	1.48 37.6
23	M34x1.0 - 6 H	1.60 40.6
25	M37x1.0 - 6 H	1.70 43.2

**Series 49- EMI/RFI Memory Ring Shrink Boot Adapter, Screened, Standard Rotatable Coupling**



**CP A 49 7 W - 12 03 - A1 - VG0**

**Compaero Identifier**

**Connector Interface**

See Page 4 for Details

**Series Identifier**

**Angle**

7= Ultra-Low Profile Split 90°

**Material & Finish**

See Page 5 for details

**Shrink Boot Option**

Omit for no boot - See website for details

**Memory Ring**

Omit for none - See Page 18 for details

**A1** - Ring for single AWG braid

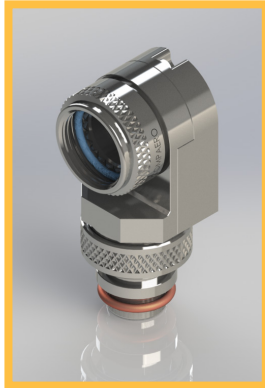
**BI** - Ring for double 36 AWG braid

**Cable Entry**

See table 2

**Shell Size**

See table 1



**Table 1** Shell Size

SHELL SIZE	F MAX		D REF.		E MAX		MAX WIRE BUNDLE	
	in	mm	in	mm	in	mm	in	mm
08/09	1.780	45.2	0.340	8.6	0.681	17.3	0.250	6.4
10/11	1.940	49.3	0.270	6.9	0.731	18.6	0.375	9.5
12/13	1.940	49.3	0.270	6.9	0.731	18.6	0.375	9.5
14/15	2.010	51.1	0.280	7.1	0.831	21.1	0.500	12.7
16/17	2.060	52.3	0.420	10.7	0.981	24.9	0.625	15.9
18/19	2.090	53.1	0.640	16.3	1.181	30.0	0.625	15.9
20/21	2.090	53.1	0.640	16.3	1.181	30.0	0.625	15.9
22/23	2.240	56.9	0.540	13.7	1.181	30.0	0.750	19.1
24/25	2.240	56.9	0.540	13.7	1.181	30.0	0.750	19.1

**Table 2** Entry Size

ENTRY SIZE	ØP	
	in	mm
02	0.250	6.4
32	0.312	7.9
03	0.375	9.5
33	0.437	11.1
04	0.500	12.7
05	0.625	15.9
06	0.750	19.1

inches millimeters  
Tolerance ±0.015±0.4

**Table 3** Interface Data

A INTERFACE		
SHELL SIZE	A THREAD	ØB MAX
		in mm
08	1/2-20 UNF	0.65 16.5
10	5/8-24 UNEF	0.77 19.6
12	3/4-20 UNEF	0.94 23.9
14	7/8-20 UNEF	1.02 25.9
16	1-20 UNEF	1.21 30.7
18	1 1/16-18 UNEF	1.23 31.2
20	1 3/16-18 UNEF	1.36 34.5
22	1 5/16-18 UNEF	1.48 37.6
24	1 7/16-18 UNEF	1.73 43.9

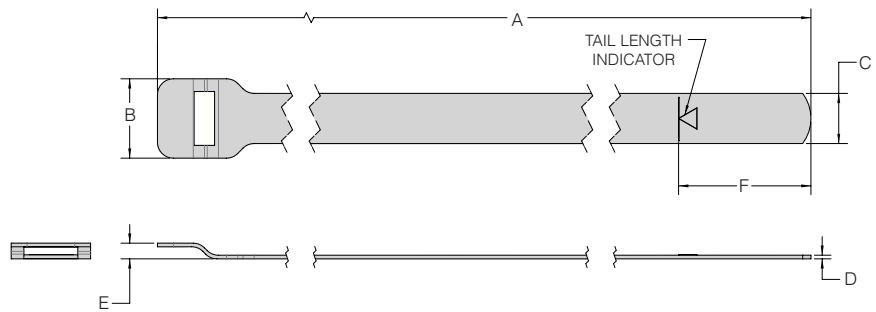
F INTERFACE		
SHELL SIZE	A THREAD	ØB MAX
		in mm
08	7/16-28 UNEF	0.65 16.5
10	9/16-24 UNEF	0.77 19.6
12	11/16-24 UNEF	0.89 22.6
14	13/16-20 UNEF	1.02 29.2
16	15/16-20 UNEF	1.15 29.2
18	1 1/16-18 UNEF	1.23 31.2
20	1 3/16-18 UNEF	1.36 34.5
22	1 5/16-18 UNEF	1.48 37.6
24	1 7/16-18 UNEF	1.73 43.9

H INTERFACE		
SHELL SIZE	A THREAD	ØB MAX
		in mm
09	M12x1.0 - 6 H	0.77 19.6
11	M15x1.0 - 6 H	0.82 20.8
13	M18x1.0 - 6 H	0.94 23.9
15	M22x1.0 - 6 H	1.07 26.2
17	M25x1.0 - 6 H	1.21 30.7
19	M28x1.0 - 6 H	1.36 34.5
21	M31x1.0 - 6 H	1.48 37.6
23	M34x1.0 - 6 H	1.60 40.6
25	M37x1.0 - 6 H	1.70 43.2



Compaero supply and manufacture a comprehensive range of stainless steel termination bands to be used in a wide variety of interconnect systems. Qualified to the AS85049 standard, they provide a reliable and cost effective termination solution, available in both flat and precoiled versions.

**CPTB-1 Stamped Buckle Option**

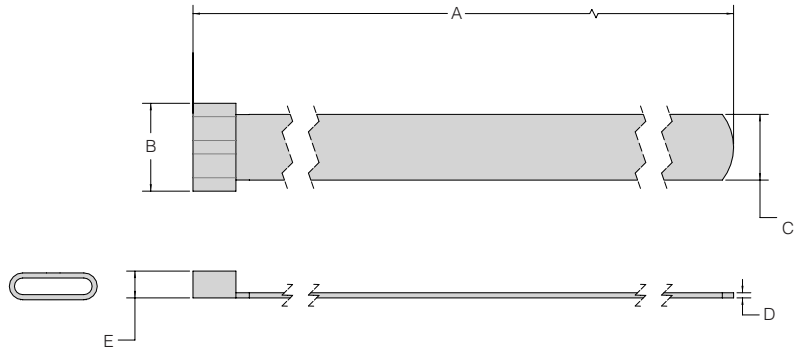


PART NUMBER	A ± .060" / 1.52mm	B ± .031" / 0.79mm	C ± .010" / 0.26mm	D REF	E REF	F REF
CPTB-111*	14.25 361.95	0.350 8.89	0.250 6.35	0.020 0.51	0.130 3.30	2.031 51.59
CPTB-112	18.00 457.2	0.350 8.89	0.250 6.35	0.020 0.51	0.130 3.30	2.031 51.59
CPTB-121*	8.125 206.38	0.195 4.95	0.120 3.05	0.015 0.38	0.053 1.35	2.031 51.59
CPTB-122	14.25 361.95	0.195 4.95	0.120 3.05	0.015 0.38	0.053 1.35	2.031 51.59

\*Available as qualified M85049/128 product - see website for details



## CPTB-2 Welded Buckle Option



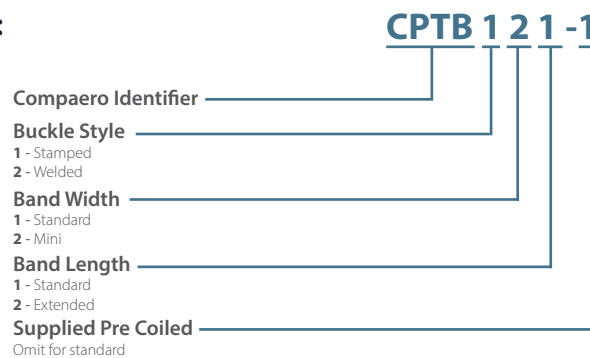
PART NUMBER	A ± .060" / 1.52mm	B ± .031" / 0.79mm	C ± .010" / 0.26mm	D REF	E REF
CPTB-211*	14.00 355.60	0.328 8.33	0.245 6.22	0.019 0.50	0.100 2.54
CPTB-212	18.00 457.20	0.328 8.33	0.245 6.22	0.019 0.50	0.100 2.54
CPTB-221*	9.50 241.30	0.198 5.03	0.118 2.99	0.015 0.40	0.080 2.03
CPTB-222	14.25 361.95	0.198 5.03	0.118 2.99	0.015 0.40	0.080 2.03

\*Available as qualified M85049/128 product - see website for details

### Notes:

1. Optional part marking available - contact sales team for details
2. Material: 300 series stainless steel, passivated

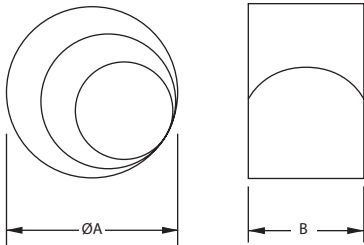
### Part Numbering System:



# TERMINATION ACCESSORIES

## Constant force springs & Memory Rings

COMPAERO



### Stainless Steel Constant Force Spring Band Option

- Re-usable and self tensioning to secure both overall and individual braid termination.
- Easy to install - requires no tooling while providing a high level of tensile strength to the assembly.
- Suitable for corrosive environments and are not affected by vibration, shock or extreme temperatures.

ENTRY	BAND REF	A MAX		B		TURNS ±0.25
		in	mm	in	mm	
S	CP050	0.295	7.5	0.374	9.5	
S	CP100	0.315	8.0	0.374	9.5	4.5
S	CP200	0.504	12.8	0.374	9.5	3
S	CP300	0.705	17.9	0.374	9.5	4.25
S	CP400	0.858	21.8	0.374	9.5	3.5

inches millimeters  
Tolerance ±0.01±0.25



### Memory Ring Option

- Low-profile, high-strength, shape-memory-alloy shield termination device
- Available in many sizes to accommodate various entry sizes and shield configurations
- Ideal for lightweight aerospace applications requiring repeated high-to-low temperature cycles.

See Series 49 (page 14) for full Memory Ring Adapter details.

SIZE	CABLE ENTRY	ADAPTER ØK	AI		BI	
			AS SUPPLIED	RECOVERED	AS SUPPLIED	RECOVERED
			in	mm	in	mm
04	02	0.373 9.5	0.397 10.1	0.379 9.7	0.416 10.6	0.398 10.2
05	32	0.435 11.1	0.460 11.7	0.440 11.2	0.479 12.2	0.458 11.7
06	03	0.498 12.7	0.523 13.3	0.499 12.7	0.548 14.0	0.523 13.3
07	33	0.560 14.3	0.586 14.9	0.559 14.2	0.606 15.4	0.578 14.7
08	04	0.623 15.9	0.650 16.6	0.620 15.8	0.670 17.1	0.639 16.3
10	05	0.747 19.0	0.782 19.9	0.744 18.9	0.802 20.4	0.763 19.4
12	06	0.872 22.2	0.912 23.2	0.867 22.1	0.931 23.7	0.886 22.6

### Part Numbering System:

**CPTR 08 AI**

Compaero Identifier

Size

Memory Ring Style

AI - Ring accommodates a single 36 AWG braid per QQB-575

BI - Ring accommodates a single 36 AWG braid or double 36 AWG braids per QQB-575



## **MOORESVILLE, USA**

**(+1) 704-235-2900**

379 Timber Road,  
 Mooresville NC,  
 28115 USA

## **KOCHI, INDIA**

**(+91) 484 2345 566**

No. 38/445, Mother Theresa Road,  
 Edappally, Kochi - 682 024,  
 Kerala, India

# **WWW.COMPAERO.COM**

All information is believed to be reliable. Readers should independently evaluate the suitability of each product for their application. Compaero makes no warranties as to the accuracy or completeness of the information herein and disclaims any liability regarding its use. Specifications are subject to change without notice. Compaero reserves the right to make changes, without notification to the customer, to processing or materials that do not affect compliance with any applicable specification.

© 2020 Compaero, Inc. All Rights Reserved