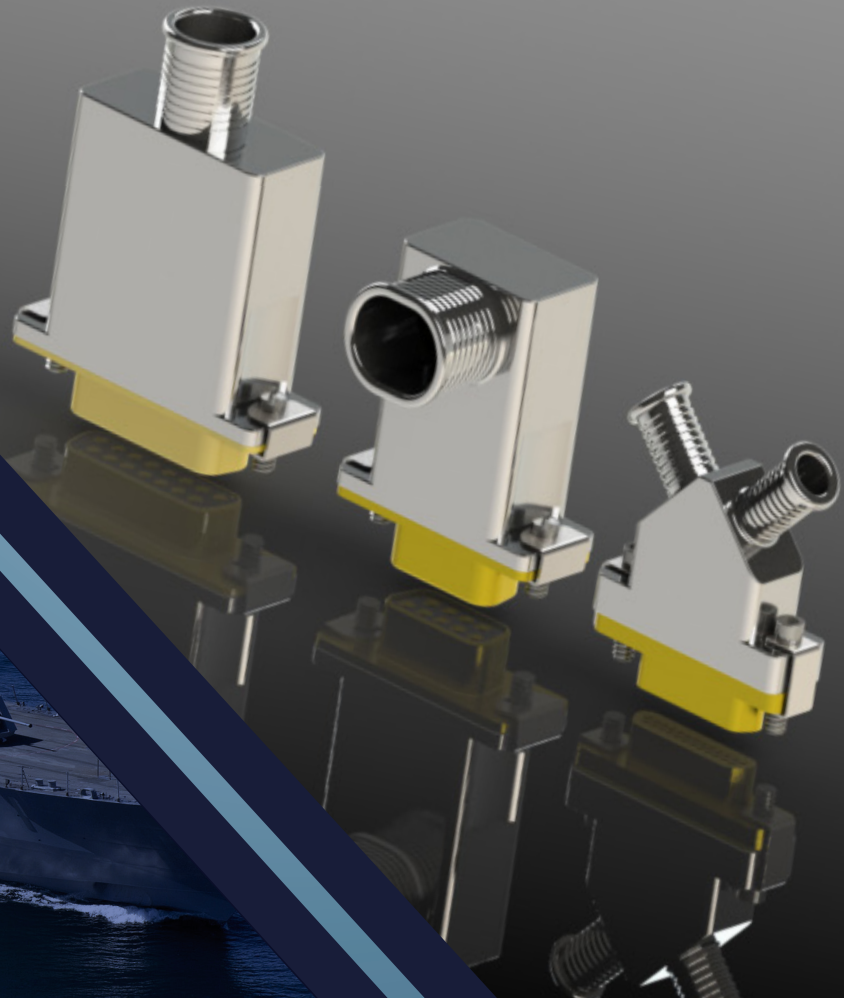


**COMPAERO**

**RECTANGULAR BACKSHELLS**



# CONTENTS

Forward.....	3
Material & Plating Options.....	4

## **SERIES 46 - EMI/RFI RECTANGULAR ADAPTER**

### **MICRO-D : MIL-DTL-83513 ROUND ENTRY**

Straight Angle.....	7
90 Degree Top/Bottom Angle.....	9
45 Degree Left/Right Angle.....	11
45 Degree Dual Left & Right Angle.....	13

## **SERIES 46 - EMI/RFI RECTANGULAR ADAPTER**

### **MICRO-D : MIL-DTL-83513 ELLIPTICAL ENTRY**

Straight Angle.....	15
90 Degree Top/Bottom Angle.....	17
45 Degree Left/Right Angle.....	19
90 Degree Left/Right Angle.....	21
Hardware Options (MIL-DTL-83513).....	23

## **SERIES 46 - EMI/RFI RECTANGULAR ADAPTER**

### **D-SUBMINIATURE : MIL-DTL-24308 ROUND ENTRY**

Straight Angle.....	24
90 Degree Top/Bottom Angle.....	26
90 Degree Left/Right Angle.....	28
45 Degree Left/Right Angle.....	30

## **SERIES 46 - EMI/RFI RECTANGULAR ADAPTER**

### **D-SUBMINIATURE : MIL-DTL-24308 ELLIPTICAL ENTRY**

Straight Angle.....	32
90 Degree Top/Bottom Angle.....	34
90 Degree Left/Right Angle.....	36
45 Degree Left/Right Angle.....	38
Hardware Options (MIL-DTL-24308).....	40

## FORWARD...

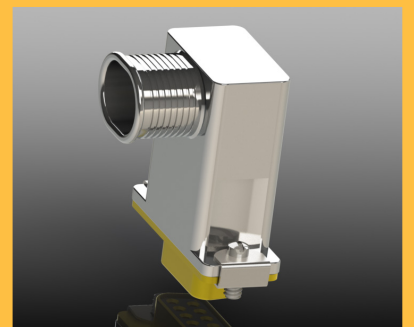
For over 30 years Compaero has been dedicated to supporting the Aerospace, Defense, Marine and Mass Transit markets. Steady growth, a devoted team and a constant focus on quality has facilitated our addition to numerous high profile defense programs, commercial aircraft, subway and railway installations.

I am confident Compaero's entrance into the rectangular D-Sub market will be met with similar success. Although we have provided custom and build-to-print rectangular accessories in the past, this catalog standardizes many key features desired by engineers while keeping costs at a minimum. With machining facilities in the USA and India, Compaero is able to balance machine loads and maintain short lead times. Of course any US Defense related project will be manufactured solely in our US facility and remain DFARs compliant.

I would like to take this opportunity to thank our excellent team of machine operators, engineers, quality inspectors, salespeople, assemblers, machine maintenance personnel and all managers who work hard every day to make sure our customers' expectations are not only met, but exceeded. Thank you to our loyal customers - putting your trust in Compaero year after year is a very rewarding and humbling experience. We will continue to work hard for you, continually improving along the way.

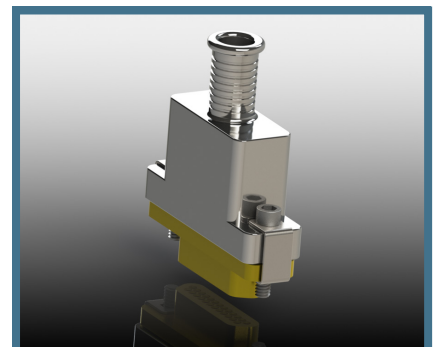


Robert Small  
President  
Compaero, Inc.



**D-SUBMINIATURE  
RECTANGULAR ADAPTER**

Example Shown : Series 46



**MICRO-D  
RECTANGULAR ADAPTER**

Example Shown : Series 46

COMPAERO ORDER CODE	MATERIAL	PLATING	PROCESS / PERFORMANCE
AB	Aluminum	Cadmium, Black	SAE-AMS-QQ-P-416 Type II Class 3 ( .0002 inch minimum ) over electroless nickel ( .0002 inch minimum)
AC	Aluminum	Cadmium, Olive Drab	SAE-AMS-QQ-P-416 Type II Class 3 ( .0002 inch minimum ) over electroless nickel ( .0002 inch minimum)
AF	Aluminum	Chem Film	MIL-DTL-5541 Type 1 Class 3
AG	Aluminum	Gold	MIL-DTL-45204 Class 1 over electroless nickel
AZ	Aluminum	Zinc-Cobalt, Black	ASTM B 840 Grade 6 Type D over electroless nickel
B	Marine Bronze	Shotblast, Nonreflective	
BF	Brass, Alloy 360	Nickel Plated	
BU	Marine Bronze	Unplated	
C	Aluminum	Anodize, Black	AMS-A-8625 Type II Class 2
CF	Copper	Electroless Nickel	C11000 Copper, Electroless Nickel
CH	Aluminum	Chromate	MIL-C-5541 Class 1A
CN	Aluminum	Cadmium, No Chromate	SAE-AMS-QQ-P-416 Type I Class 3
CU	Copper	Unplated	C11000 Copper
D	Aluminum	AlumiPlate, Clear Chromate	MIL-DTL-83488, Class 2, Type II over electroless nickel
E	Aluminum	Cadmium, Olive Drab	SAE-AMS-QQ-P-416 Type II Class 3
F	Aluminum	Electroless Nickel	AMS-C-26074 Class 4 Grade B OR ASTM-B-733, SC 2, Type IV
FT	Aluminum	Electroless Nickel	Mil-Std-171, 1.4.3.4, 0.001 Thickness
FZ	Aluminum	Shotblast then Electroless Nickel	AMS-C-26074 Class 4 Grade B; ASTM-B-733, SC 2, Type IV
G	Aluminum	Anodize, Hardcoat, Black	AMS-A-8625 Type III, Class 2, .001" thick
H	Aluminum	Cadmium, Clear	SAE-AMS-QQ-P-416 Type II Class 2 over electroless nickel ( .0002 inch minimum), 0.0003 minimum chromate thickness

COMPAERO ORDER CODE	MATERIAL	PLATING	PROCESS / PERFORMANCE
HY	Aluminum	Cadmium, Yellow	SAE-AMS-QQ-P-416 Type II Class 2 over electroless nickel
J	Aluminum	Cadmium, Gold	SAE-AMS-QQ-P-416 Type II, Class 2 over electroless nickel
JF	Aluminum	Cadmium, Gold	SAE-AMS-QQ-P-416 Type II, Class 2 over electroless nickel
K	Stainless Steel	Passivated	SAE-AMS-QQ-P-35 Type VI
KA	Stainless Steel	Cadmium, Olive Drab	SAE-AMS-QQ-P-416 Type II Class 2 over electroless nickel
KB	Stainless Steel	Cadmium, Black	SAE-AMS-QQ-P-416 Type II Class 3
KC	Stainless Steel	Zinc-Cobalt, Black	ASTM-B840, Grade 6
KM	Stainless Steel	Electroless Nickel	AMS-C-26074 Class 1 Grade A
KP	Stainless Steel	Nickel-PTFE	GMF-002 Type II Class 3
KR	Stainless Steel	Zinc-Cobalt, Black	ASTM-B840, Grade 6 Conductive
KZ	Stainless Steel	Shotblast and passivated	SAE-AMS-QQ-P-35 Type VI
L	Composite	Nickel-PTFE	GMS-002 Class 2 Type II
M	Composite	Unplated, Light Brown	Ultem 2000
MA	Composite	Cadmium, Olive Drab	SAE-AMS-QQ-P-416 Type II Class 3 over electroless nickel
MB	Composite	Unplated, Black	Ultem 2000
ML	Composite	AlumiPlate	MIL-DTL-86448, Class 2, Type II over electroless nickel
MN	Composite	Electroless Nickel	AMS-C-26074
MZ	Composite	Zinc-Nickel, Black	ASTM B841 Grade 5 over electroless nickel
P	Aluminum	Nickel-PTFE	GMF-002 Type II Class 1
SA	Aluminum	Sulfuric Anodize	MIL-A-8625 Type II, Class 2

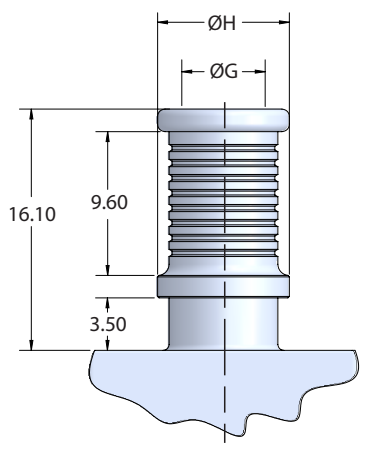
COMPAERO ORDER CODE	MATERIAL	PLATING	PROCESS / PERFORMANCE
T	Aluminum	Zinc-Nickel, Black	ASTM B841 Grade 5 over electroless nickel
TM	Titanium	Titanium	Electrodeposited Nickel SAE-AMS-QQ-N-290 Class 1 Grade F
TN	Aluminum	Bright Tin	ASTM-B-545; MIL-T-10727
TR	Aluminum	Zinc-Nickel, Black	ASTM B841 Grade 5 over electroless nickel
U	Aluminum	Cadmium, Black	SAE-AMS-QQ-P-416 Type I Class 3
W	Aluminum	Cadmium, Olive Drab	SAE-AMS-QQ-P-416 Type II Class 2 ( .0003 inch minimum ) over electroless nickel ( .0002 inch minimum)
WF	Aluminum	Cadmium, Olive Drab - Selective Plating	Cadmium Olive Drab, Selective Electroless Nickel on EMI/RFI Banding Platforms
X0	Aluminum	Unplated Aluminum, 6061-T6	
Y	Aluminum	Zinc-Cobalt, Olive Drab	ASTM B 840 Grade 6 Type D over electroless nickel
Z	Aluminum	Zinc-Cobalt, Black	ASTM B 840 Grade 6 Type D
ZN	Aluminum	Zinc-Nickel, Olive Drab	ASTM B841 Grade 5 over electroless nickel

For the full list of available options, please consult [www.compaero.com](http://www.compaero.com)

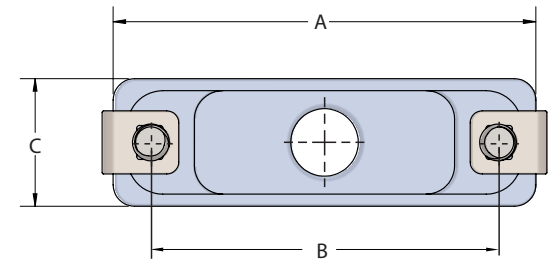
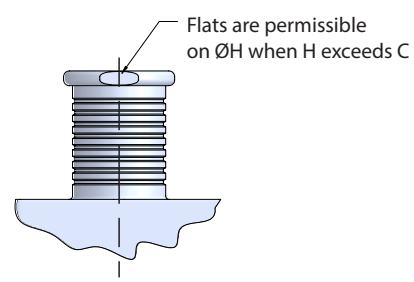
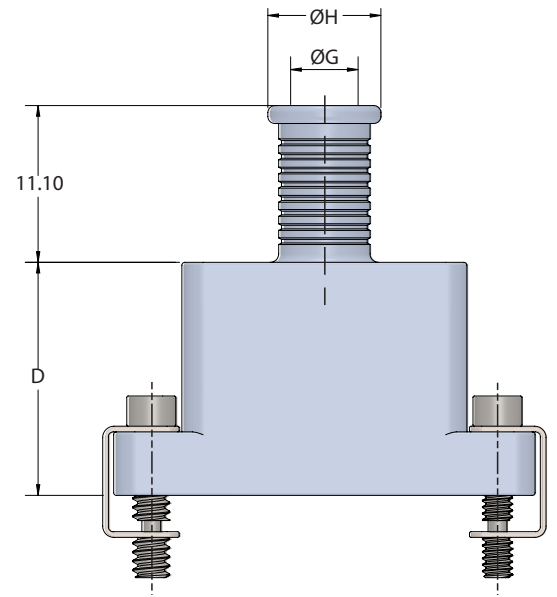


# SERIES 46 - EMI/RFI ADAPTER

Solid Backshell, Round Entry, Straight  
MIL-DTL-83513 Style



SG - Shrink Boot Groove Option



## CP RM 46 1 N - W R - 15 04 - 15 - NH - SG

Compaero Identifier

Interface Code  
RM - MIL-DTL-83513 Style

Series  
46 - Band Lock

Angle Code  
1 - Straight

Backshell Style  
N - One Piece, Solid

Material & Finish  
F - Electroless Nickel, Aluminium  
W - Cadmium Olive Drab, Aluminium  
K - Stainless steel, Passivate  
See Page 4 for additional options

Shrink Boot Groove Option  
Omit for no shrink boot groove

Hardware Options  
See Table 3 for options

Length  
Dimension D  
(1 mm increments from standard minimum length).  
Standard minimum length listed in Table 1 (Dim D)  
e.g. -15" would replace standard minimum length in  
Table 1 (Dim D) with 15 mm

Entry Size  
See Table 2

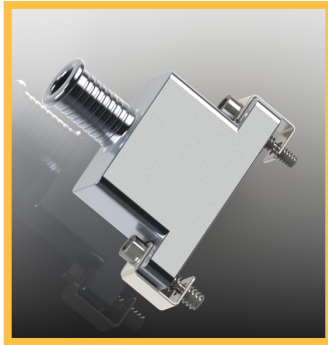
Shell Size  
See Table 1

Entry Style  
R - Round Entry

DIMENSIONS IN MM - DRAWINGS NOT TO SCALE  
THIS DRAWING IS THE PROPERTY OF COMPAERO, INC AND MUST NOT BE USED FOR  
COMMERCIAL PURPOSES WITHOUT WRITTEN CONSENT OF THE COMPANY. DRAWING  
CORRECT AT TIME OF PUBLISHING.

# SERIES 46 - EMI/RFI ADAPTER

Solid Backshell, Round Entry, Straight  
MIL-DTL-83513 Style



**Table 1** Shell Size

SHELL SIZE	A	B	C	D MIN	MAX ENTRY
09	19.68	14.35	9.0	9.0	08
15	23.50	18.16	9.0	12.0	08
21	27.30	21.97	9.0	15.0	08
25	29.84	24.51	9.0	16.5	08
31	33.66	28.32	9.0	18.0	09
37	37.46	32.13	9.0	19.0	09
51	36.20	30.86	10.0	19.8	10
100	54.86	45.72	11.0	21.3	11

**Table 2** Entry Size

ENTRY SIZE	ØG MIN	ØH
03	1.60	4.8
04	3.18	6.4
05	3.97	7.2
06	4.77	8.0
07	5.56	8.8
08	6.35	9.6
09	7.14	10.4
10	7.94	11.2
11	8.73	12.0

**Table 3** Hardware Options

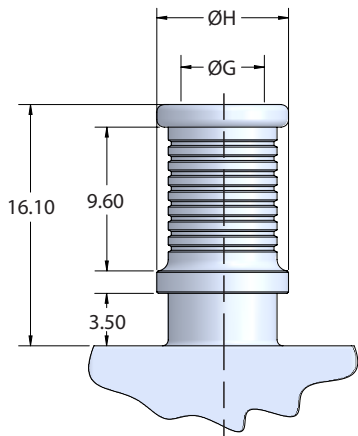
ORDERING CODE	DESCRIPTION
MSL	Slotted Head Screw (2)
MSK	Socket Head Screw (2)
MEL	Extended Slotted Head Screw (2)
MEK	Extended Socket Head Screw (2)
NH	No Hardware

**Tolerance**  
Linear  $\pm 0.25$  mm  
Angular  $\pm 1^\circ$

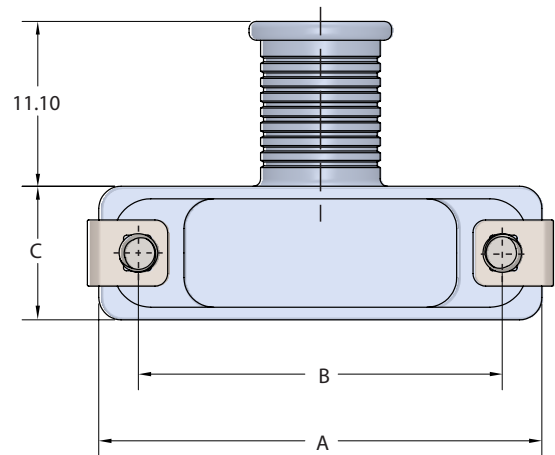
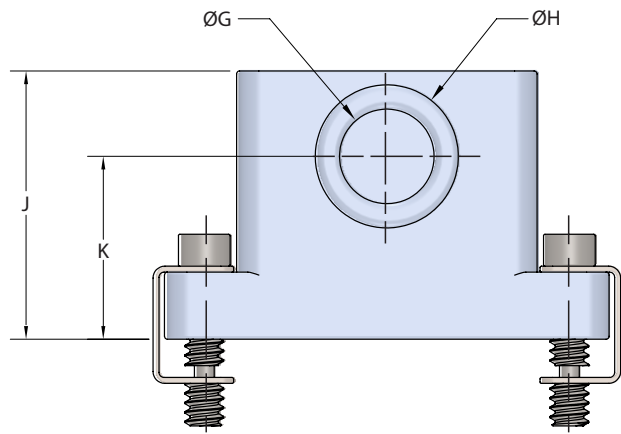


# SERIES 46 - EMI/RFI ADAPTER

Solid Backshell, Round Entry, 90 Degree Top/Bottom  
MIL-DTL-83513 Style



SG - Shrink Boot Groove Option



## CP RM 46 9 N - W R - 15 04 - 17.5 - NH - SG

Compaero Identifier

Interface Code

RM - MIL-DTL-83513 Style

Series

46 - Band Lock

Angle Code

9 - 90 Degree Top/Bottom

Backshell Style

N - One Piece, Solid

Material & Finish

F - Electroless Nickel, Aluminium  
W - Cadmium Olive Drab, Aluminium  
K - Stainless steel, Passivate  
See Page 4 for additional options

Shrink Boot Groove Option  
Omit for no shrink boot groove

Hardware Options  
See Table 3 for options

Length  
Dimension J MAX (Table 1)

Entry Size  
See Table 2

Shell Size  
See Table 1

Entry Style  
R - Round Entry

# SERIES 46 - EMI/RFI ADAPTER

Solid Backshell, Round Entry, 90 Degree Top/Bottom  
MIL-DTL-83513 Style



**Table 1** Shell Size

SHELL SIZE	A	B	C	J MAX	K	MAX ENTRY
09	19.68	14.35	9.0	16.5	11.05	10
15	23.50	18.16	9.0	17.5	11.2	12
21	27.30	21.97	9.0	18.3	11.63	13
25	29.84	24.51	9.0	19.3	12.27	14
31	33.66	28.32	9.0	19.5	12.09	15
37	37.46	32.13	9.0	20	12.14	16
51	36.20	30.86	10.0	22	13.91	17
100	54.86	45.72	11.0	26	17.45	18

**Table 2** Entry Size

ENTRY SIZE	ØG MIN	ØH
03	1.60	4.8
04	3.18	6.4
05	3.97	7.2
06	4.77	8.0
07	5.56	8.8
08	6.35	9.6
09	7.14	10.4
10	7.94	11.2
11	8.73	12.0
12	9.52	12.8
13	10.31	13.5
14	11.10	14.3
15	11.89	15.1
16	12.70	15.9
17	13.47	16.7
18	14.26	17.5

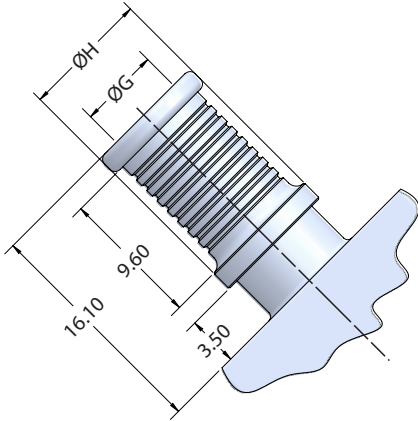
**Table 3** Hardware Options

ORDERING CODE	DESCRIPTION
MSL	Slotted Head Screw (2)
MSK	Socket Head Screw (2)
MEL	Extended Slotted Head Screw (2)
MEK	Extended Socket Head Screw (2)
NH	No Hardware

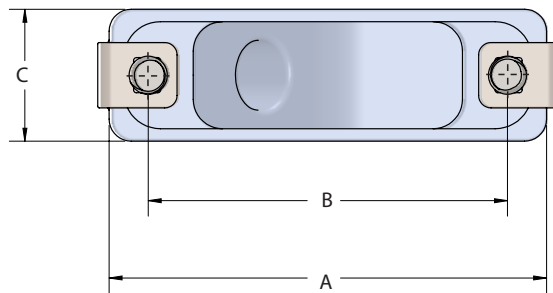
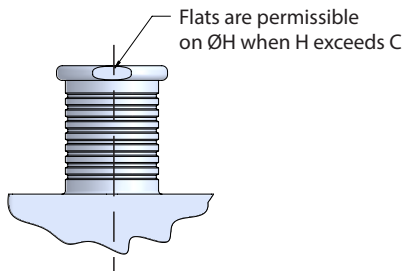
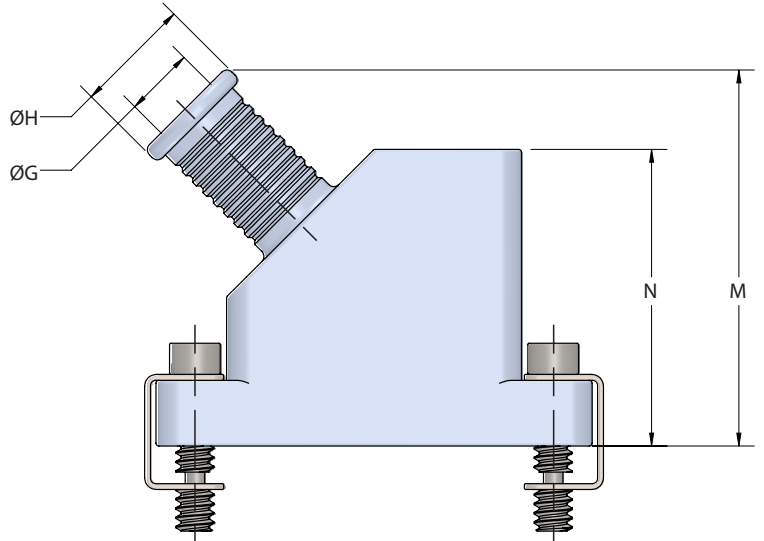
**Tolerance**  
Linear  $\pm 0.25$  mm  
Angular  $\pm 1^\circ$

# SERIES 46 - EMI/RFI ADAPTER

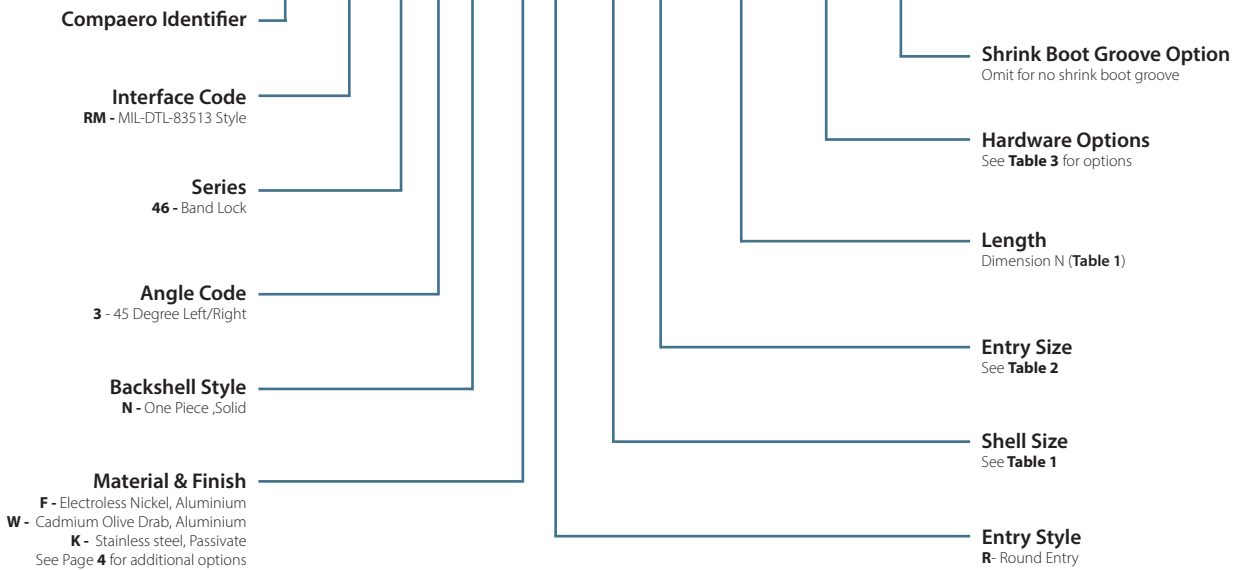
Solid Backshell, Round Entry, 45 Degree Left/Right  
MIL-DTL-83513 Style



SG - Shrink Boot Groove Option



## CP RM 46 3 N - W R - 15 04 - 17.8 - NH - SG



DIMENSIONS IN MM - DRAWINGS NOT TO SCALE  
THIS DRAWING IS THE PROPERTY OF COMPAERO, INC AND MUST NOT BE USED FOR COMMERCIAL PURPOSES WITHOUT WRITTEN CONSENT OF THE COMPANY. DRAWING CORRECT AT TIME OF PUBLISHING.

# SERIES 46 - EMI/RFI ADAPTER

Solid Backshell, Round Entry, 45 Degree Left/Right  
MIL-DTL-83513 Style



**Table 1** Shell Size

SHELL SIZE	A	B	C	M MAX	N	MAX ENTRY
09	19.68	14.35	9.0	25.4	16.5	08
15	23.50	18.16	9.0	26.2	17.8	08
21	27.30	21.97	9.0	26.7	18.7	08
25	29.84	24.51	9.0	27.7	20.3	08
31	33.66	28.32	9.0	28.7	21.8	09
37	37.46	32.13	9.0	31.2	23.5	09
51	36.20	30.86	10.0	31.8	24.8	10
100	54.86	45.72	11.0	33.5	26.7	11

**Table 2** Entry Size

ENTRY SIZE	ØG MIN	ØH
03	1.60	4.8
04	3.18	6.4
05	3.97	7.2
06	4.77	8.0
07	5.56	8.8
08	6.35	9.6
09	7.14	10.4
10	7.94	11.2
11	8.73	12.0

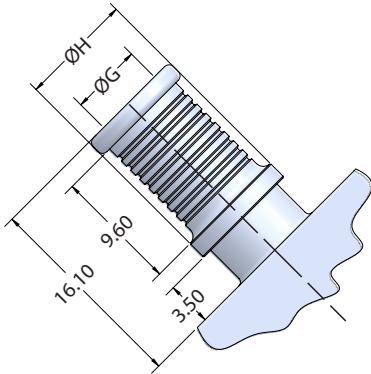
**Table 3** Hardware Options

ORDERING CODE	DESCRIPTION
MSL	Slotted Head Screw (2)
MSK	Socket Head Screw (2)
NH	No Hardware

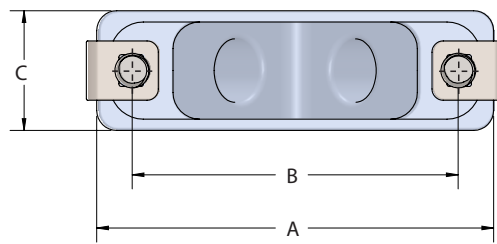
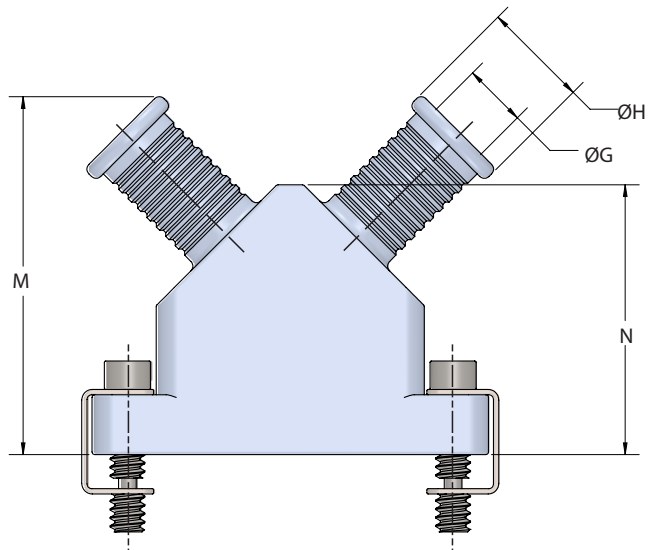
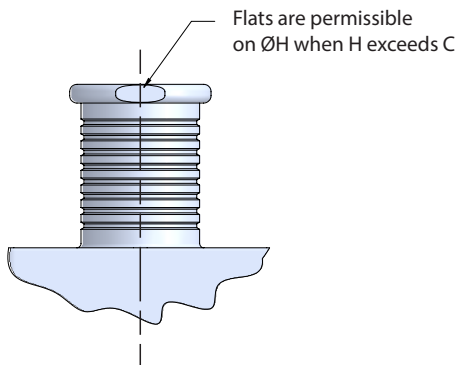
**Tolerance**  
Linear ±0.25 mm  
Angular ±1°

# SERIES 46 - EMI/RFI ADAPTER

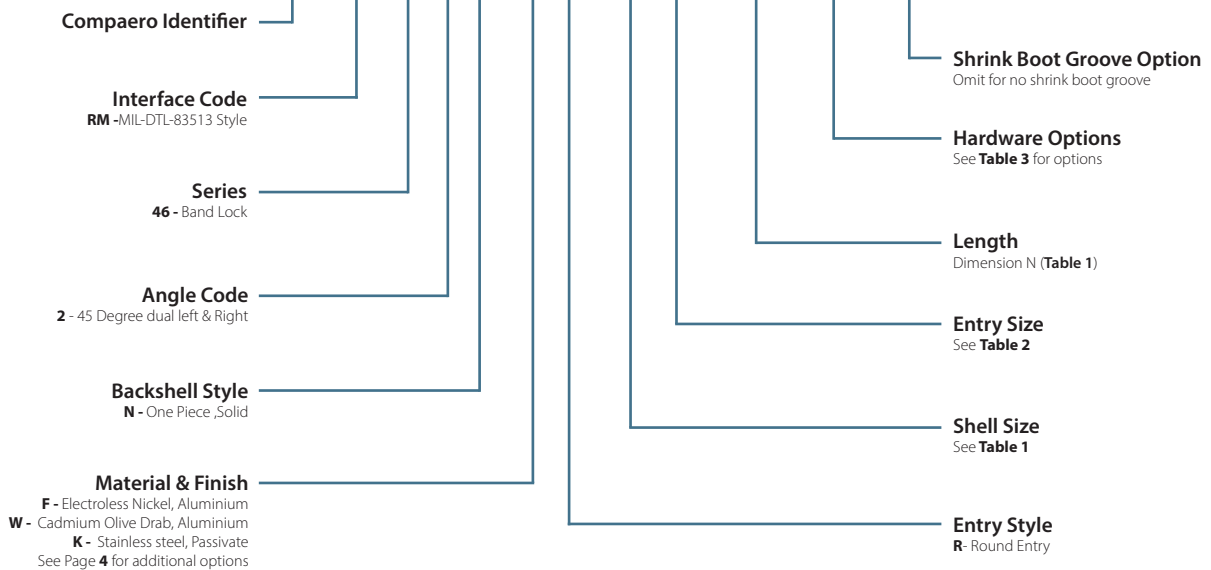
Solid Backshell, Round Entry, 45 Degree Dual Left & Right  
MIL-DTL-83513 Style



SG - Shrink Boot Groove Option



## CP RM 46 2 N - W R - 15 04 - 17.8 - NH - SG

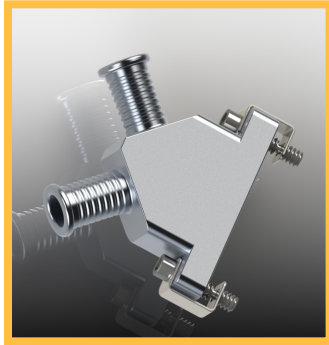


DIMENSIONS IN MM - DRAWINGS NOT TO SCALE  
THIS DRAWING IS THE PROPERTY OF COMPAERO, INC AND MUST NOT BE USED FOR COMMERCIAL PURPOSES WITHOUT WRITTEN CONSENT OF THE COMPANY. DRAWING CORRECT AT TIME OF PUBLISHING.

# SERIES 46 - EMI/RFI ADAPTER

Solid Backshell, Round Entry, 45 Degree Dual Left & Right  
MIL-DTL-83513 Style

**COMPAERO**



**Table 1** Shell Size

SHELL SIZE	A	B	C	M MAX	N	MAX ENTRY
09	19.68	14.35	9.0	25.4	16.5	08
15	23.50	18.16	9.0	26.2	17.8	08
21	27.30	21.97	9.0	26.7	18.7	08
25	29.84	24.51	9.0	27.7	20.3	08
31	33.66	28.32	9.0	28.7	21.8	09
37	37.46	32.13	9.0	31.2	23.5	09
51	36.20	30.86	10.0	31.8	24.8	10
100	54.86	45.72	11.0	33.5	26.7	11

**Table 2** Entry Size

ENTRY SIZE	ØG MIN	ØH
03	1.60	4.8
04	3.18	6.4
05	3.97	7.2
06	4.77	8.0
07	5.56	8.8
08	6.35	9.6
09	7.14	10.4
10	7.94	11.2
11	8.73	12.0

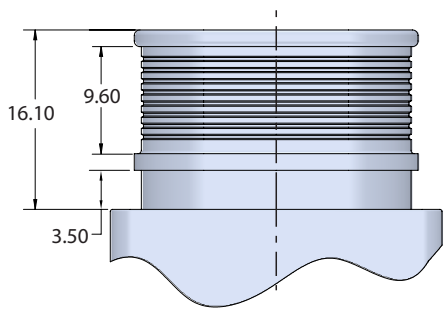
**Table 3** Hardware Options

ORDERING CODE	DESCRIPTION
MSL	Slotted Head Screw (2)
MSK	Socket Head Screw (2)
NH	No Hardware

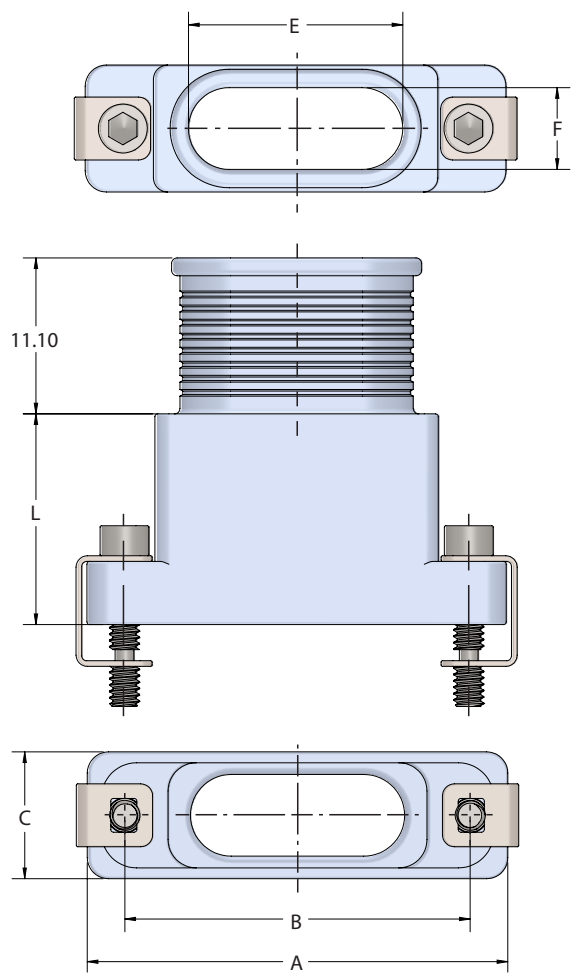
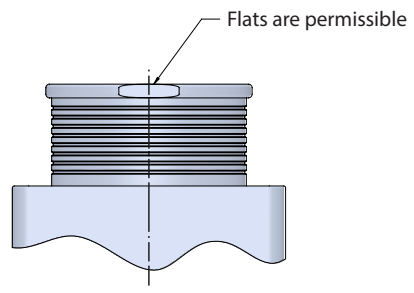
**Tolerance**  
Linear ±0.25 mm  
Angular ±1°

# SERIES 46 - EMI/RFI ADAPTER

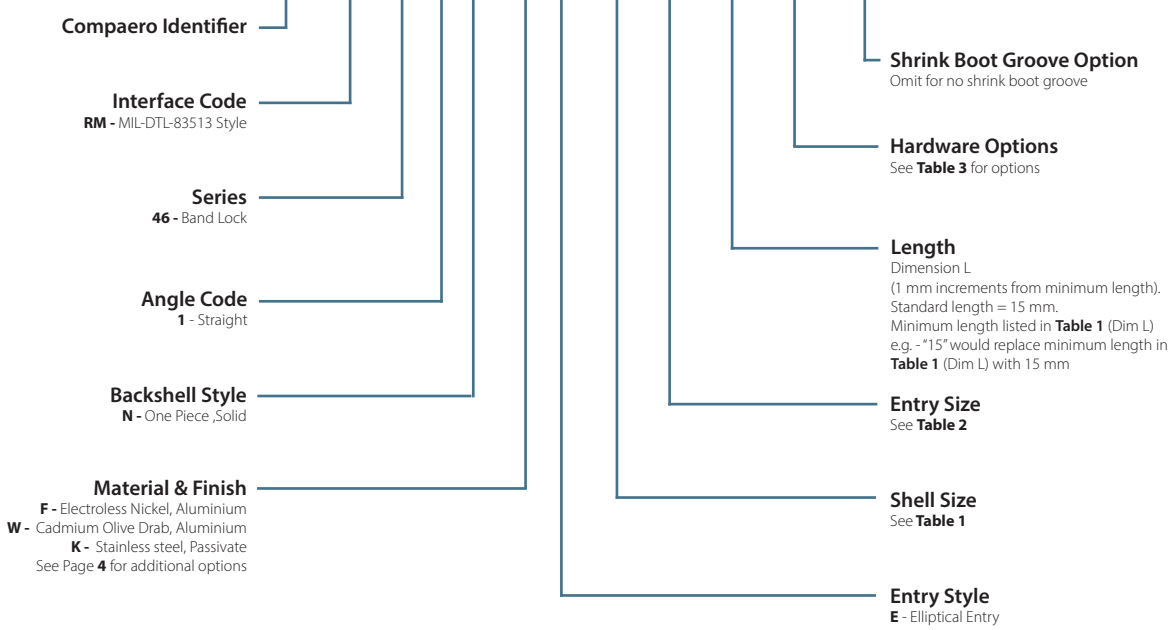
Solid Backshell, Elliptical Entry  
MIL-DTL-83513 Style



SG - Shrink Boot Groove Option



## CP RM 46 1 N - W E - 15 04 - 15 - NH - SG

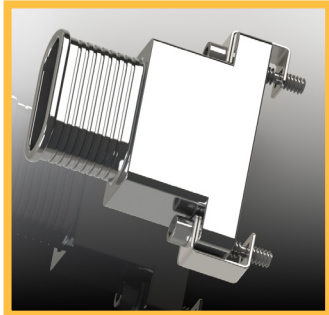


DIMENSIONS IN MM - DRAWINGS NOT TO SCALE  
THIS DRAWING IS THE PROPERTY OF COMPAERO, INC AND MUST NOT BE USED FOR  
COMMERCIAL PURPOSES WITHOUT WRITTEN CONSENT OF THE COMPANY. DRAWING  
CORRECT AT TIME OF PUBLISHING.



# SERIES 46 - EMI/RFI ADAPTER

Solid Backshell, Elliptical Entry, Straight  
MIL-DTL-83513 Style



**Table 1** Shell Size

SHELL SIZE	A	B	C	MAX ENTRY	L MIN
09	19.68	14.35	9.0	04	13
15	23.50	18.16	9.0	05	13
21	27.30	21.97	9.0	06	13
25	29.84	24.51	9.0	07	13
31	33.66	28.32	9.0	07	13
37	37.46	32.13	9.0	08	13
51	36.20	30.86	10.0	08	13
100	54.86	45.72	11.0	11	15

**Table 2** Entry Size

ENTRY SIZE	E	F
04	7.0	5.8
05	10.8	5.8
06	15.2	5.8
07	17.9	6.5
08	22.8	6.8
09	26.0	7.4
11	35.8	8.4

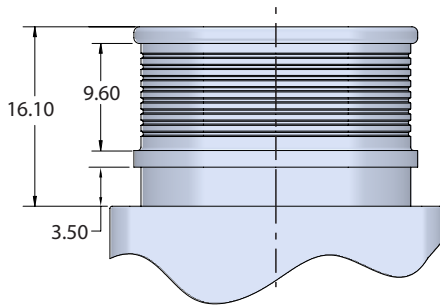
**Table 3** Hardware Options

ORDERING CODE	DESCRIPTION
MSL	Slotted Head Screw (2)
MSK	Socket Head Screw (2)
MEL	Extended Slotted Head Screw (2)
MEK	Extended Socket Head Screw (2)
NH	No Hardware

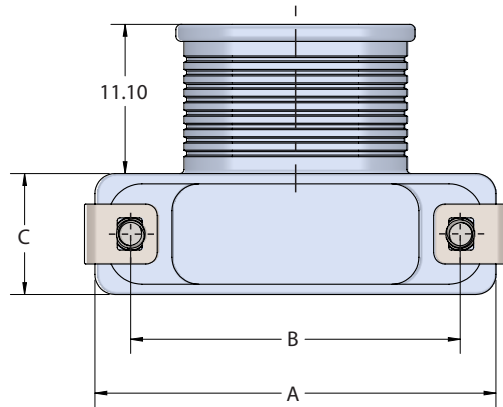
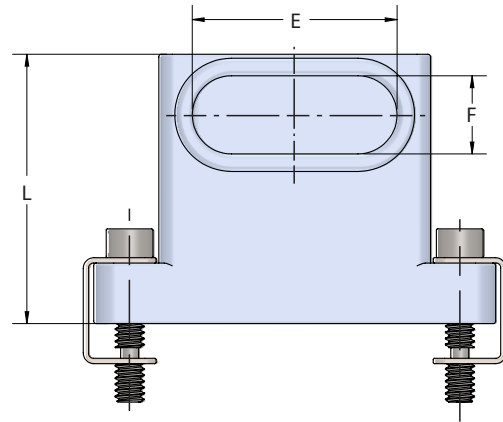
**Tolerance**  
Linear  $\pm 0.25$  mm  
Angular  $\pm 1^\circ$

# SERIES 46 - EMI/RFI ADAPTER

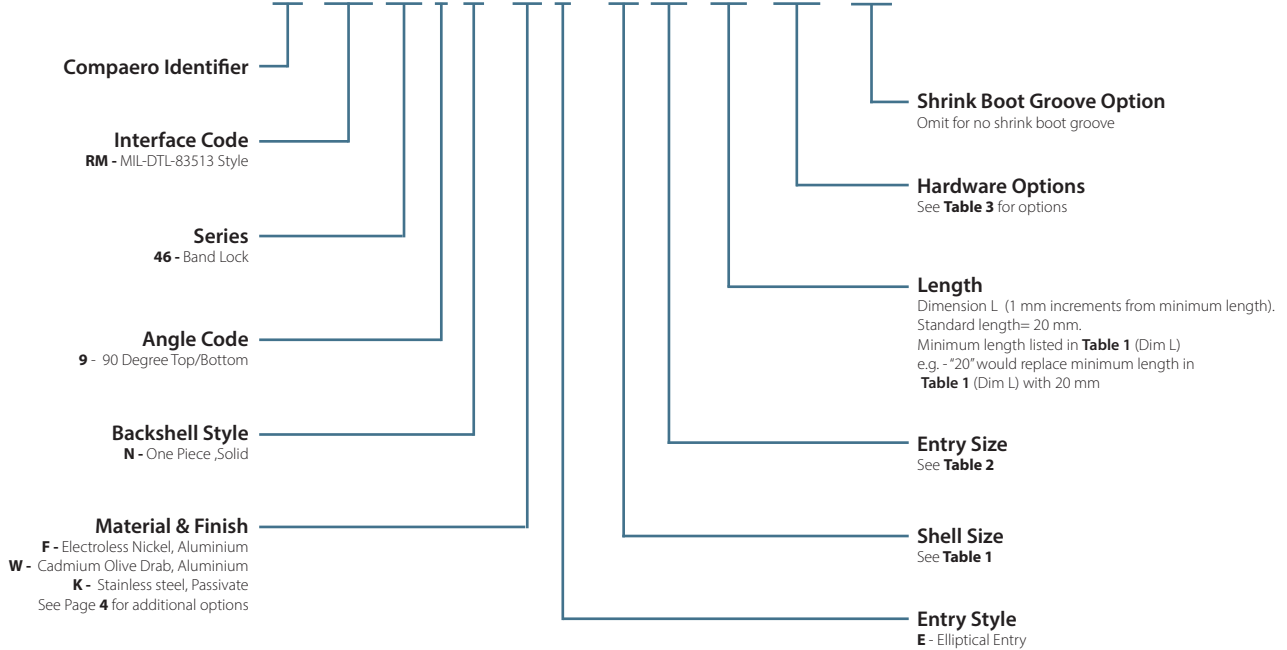
Solid Backshell, Elliptical Entry, 90 Degree Top/Bottom  
MIL-DTL-83513 Style



SG - Shrink Boot Groove Option



## CP RM 46 9 N - W E - 15 04 -20 -NH - SG



DIMENSIONS IN MM - DRAWINGS NOT TO SCALE  
 THIS DRAWING IS THE PROPERTY OF COMPAERO, INC AND MUST NOT BE USED FOR  
 COMMERCIAL PURPOSES WITHOUT WRITTEN CONSENT OF THE COMPANY. DRAWING  
 CORRECT AT TIME OF PUBLISHING.

# SERIES 46 - EMI/RFI ADAPTER

Solid Backshell, Elliptical Entry, 90 Degree Top/Bottom  
MIL-DTL-83513 Style



**Table 1** Shell Size

SHELL SIZE	A	B	C	MAX ENTRY	L MIN
09	19.68	14.35	9.0	04	13
15	23.50	18.16	9.0	05	13
21	27.30	21.97	9.0	06	13
25	29.84	24.51	9.0	07	13
31	33.66	28.32	9.0	07	13
37	37.46	32.13	9.0	08	13
51	36.20	30.86	10.0	08	13
100	54.86	45.72	11.0	11	16

**Table 2** Entry Size

ENTRY SIZE	E	F
04	7.0	5.8
05	10.8	5.8
06	15.2	5.8
07	17.9	6.5
08	22.8	6.8
09	26.0	7.4
11	35.8	8.4

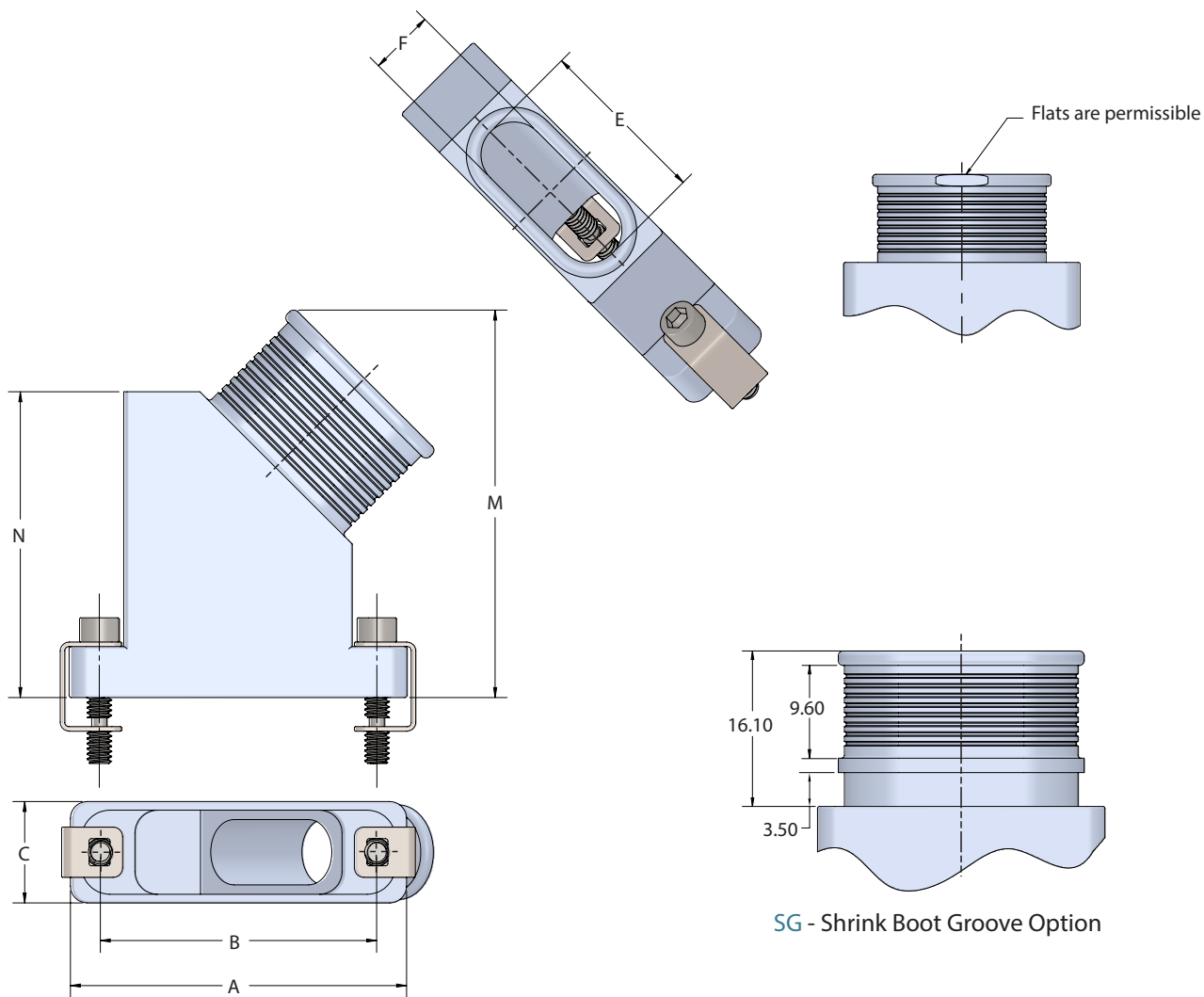
**Table 3** Hardware Options

ORDERING CODE	DESCRIPTION
MSL	Slotted Head Screw (2)
MSK	Socket Head Screw (2)
MEL	Extended Slotted Head Screw (2)
MEK	Extended Socket Head Screw (2)
NH	No Hardware

**Tolerance**  
Linear  $\pm 0.25$  mm  
Angular  $\pm 1^\circ$

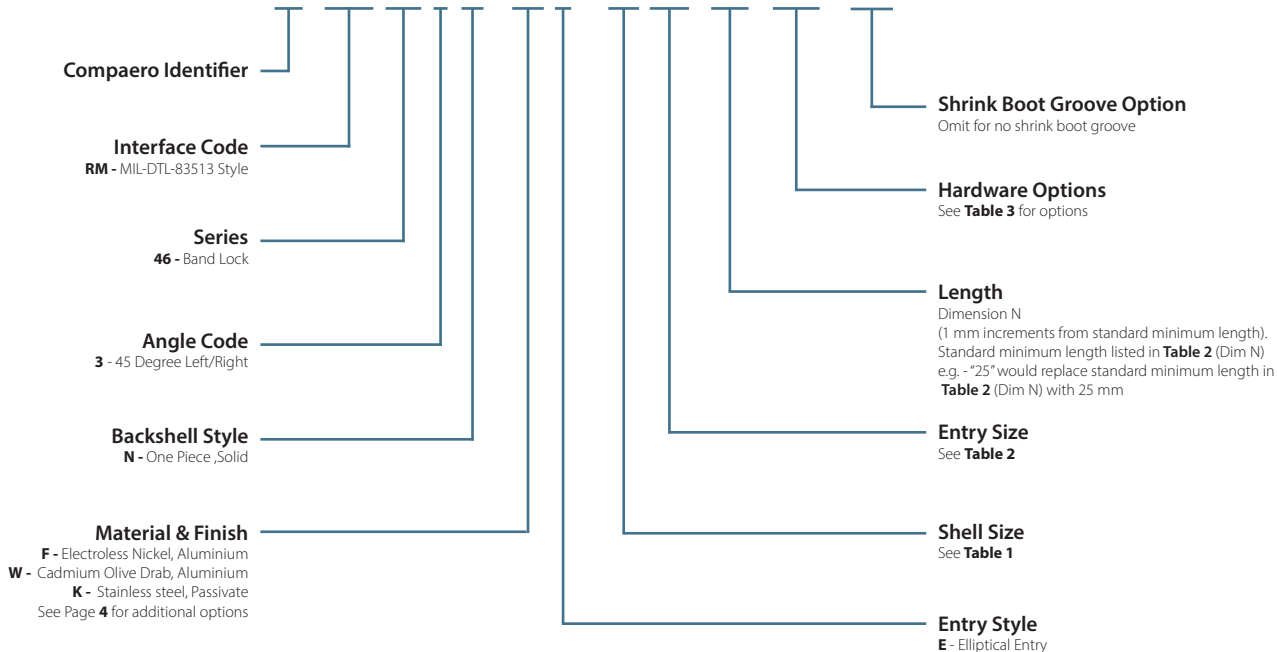
# SERIES 46 - EMI/RFI ADAPTER

Solid Backshell, Elliptical Entry, 45 Degree Left/Right  
MIL-DTL-83513 Style



SG - Shrink Boot Groove Option

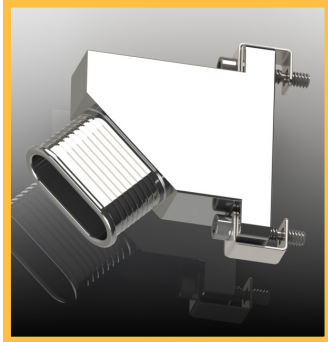
## CP RM 46 3 N - W E - 15 04 - 25 - NH - SG



DIMENSIONS IN MM - DRAWINGS NOT TO SCALE  
THIS DRAWING IS THE PROPERTY OF COMPAERO, INC AND MUST NOT BE USED FOR  
COMMERCIAL PURPOSES WITHOUT WRITTEN CONSENT OF THE COMPANY. DRAWING  
CORRECT AT TIME OF PUBLISHING.

# SERIES 46 - EMI/RFI ADAPTER

Solid Backshell, Elliptical Entry, 45 Degree Left/Right  
MIL-DTL-83513 Style



**Table 1** Shell Size

SHELL SIZE	A	B	C	MAX ENTRY
09	19.68	14.35	9.0	04
15	23.50	18.16	9.0	05
21	27.30	21.97	9.0	06
25	29.84	24.51	9.0	07
31	33.66	28.32	9.0	07
37	37.46	32.13	9.0	08
51	36.20	30.86	10.0	08
100	54.86	45.72	11.0	11

**Table 2** Entry Size

ENTRY SIZE	E	F	N MIN	M MIN
04	7.0	5.8	21.02	28.56
05	10.8	5.8	23.89	31.25
06	15.2	5.8	27.00	34.21
07	17.9	6.5	30.47	37.83
08	22.8	6.8	34.12	40.61
09	26.0	7.4	35.95	42.66
11	35.8	8.4	41.57	48.93

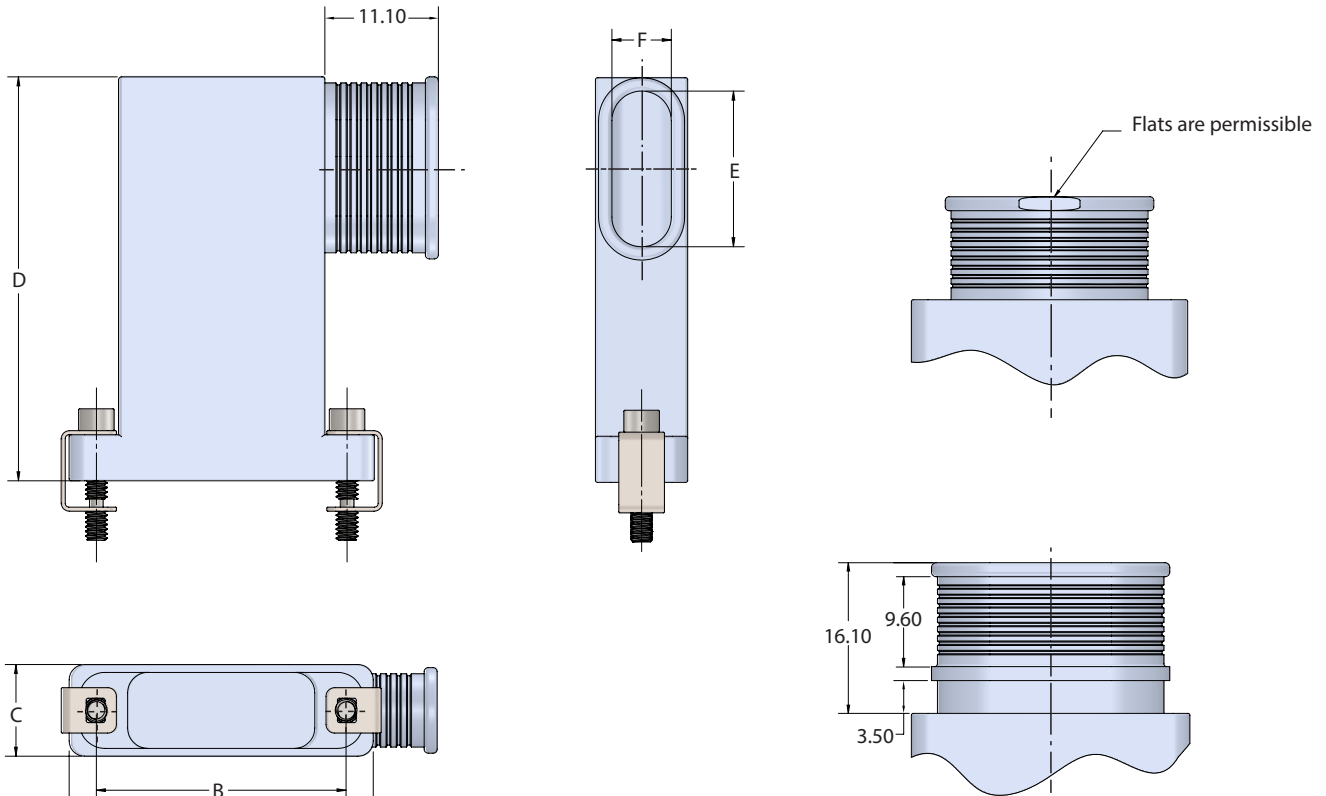
**Table 3** Hardware Options

ORDERING CODE	DESCRIPTION
MSL	Slotted Head Screw (2)
MSK	Socket Head Screw (2)
NH	No Hardware

**Tolerance**  
Linear  $\pm 0.25$  mm  
Angular  $\pm 1^\circ$

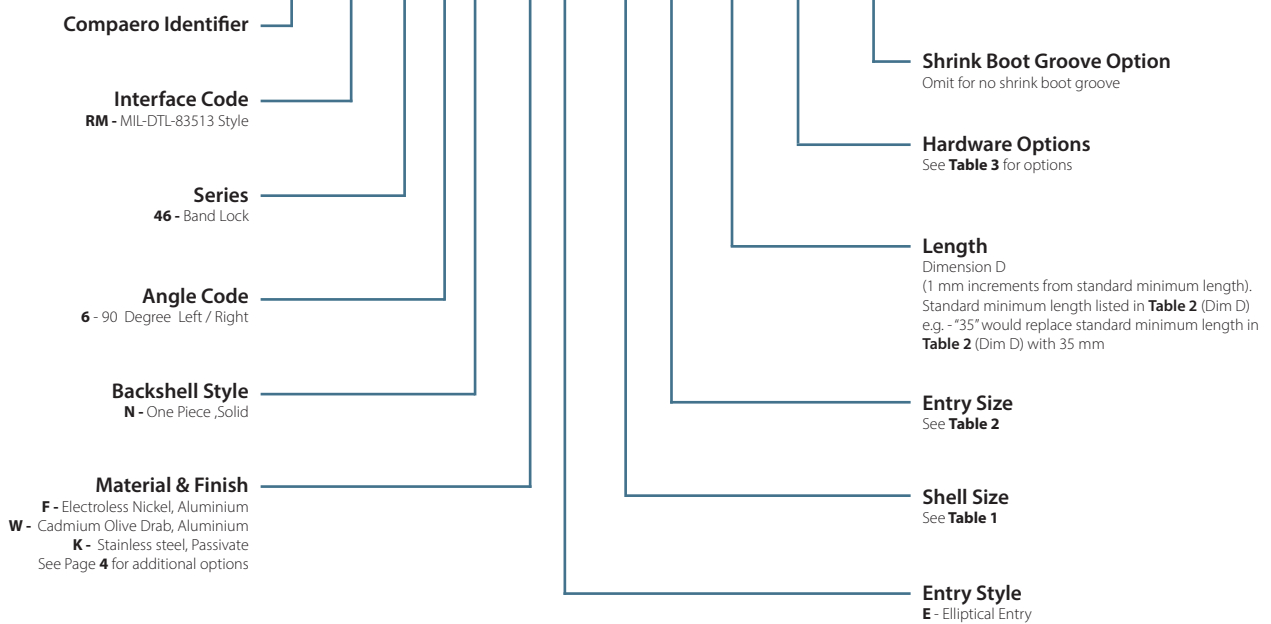
# SERIES 46 - EMI/RFI ADAPTER

Solid Backshell, Elliptical Entry, 90 Degree Left/Right  
MIL-DTL-83513 Style



SG - Shrink Boot Groove Option

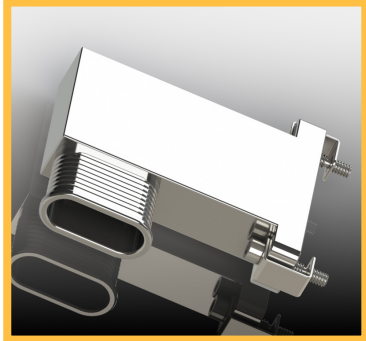
## CP RM 46 6 N - W E - 15 04 -35 -NH - SG



DIMENSIONS IN MM - DRAWINGS NOT TO SCALE  
THIS DRAWING IS THE PROPERTY OF COMPAERO, INC AND MUST NOT BE USED FOR  
COMMERCIAL PURPOSES WITHOUT WRITTEN CONSENT OF THE COMPANY. DRAWING  
CORRECT AT TIME OF PUBLISHING.

# SERIES 46 - EMI/RFI ADAPTER

Solid Backshell, Elliptical Entry, 90 Degree Left/Right  
MIL-DTL-83513 Style



**Table 1** Shell Size

SHELL SIZE	A	B	C	MAX ENTRY
09	19.68	14.35	9.0	04
15	23.50	18.16	9.0	05
21	27.30	21.97	9.0	06
25	29.84	24.51	9.0	07
31	33.66	28.32	9.0	07
37	37.46	32.13	9.0	08
51	36.20	30.86	10.0	08
100	54.86	45.72	11.0	11

**Table 2** Entry Size

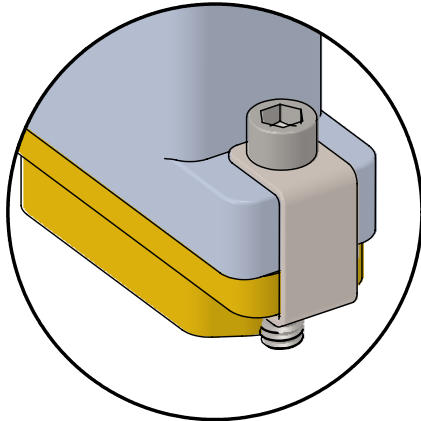
ENTRY SIZE	D MIN	E	F
04	26.4	7.0	5.8
05	30.2	10.8	5.8
06	34.6	15.2	5.8
07	39.5	17.9	6.5
08	42.2	22.8	6.8
09	43.9	26.0	7.4
11	55.2	35.8	8.4

**Table 3** Hardware Options

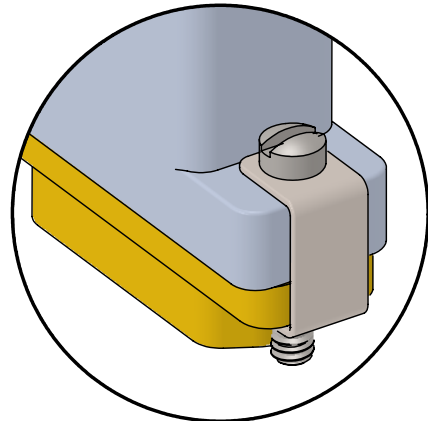
ORDERING CODE	DESCRIPTION
MSL	Slotted Head Screw (2)
MSK	Socket Head Screw (2)
NH	No Hardware

**Tolerance**  
Linear  $\pm 0.25$  mm  
Angular  $\pm 1^\circ$

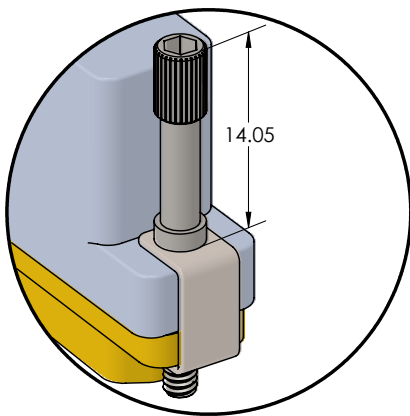




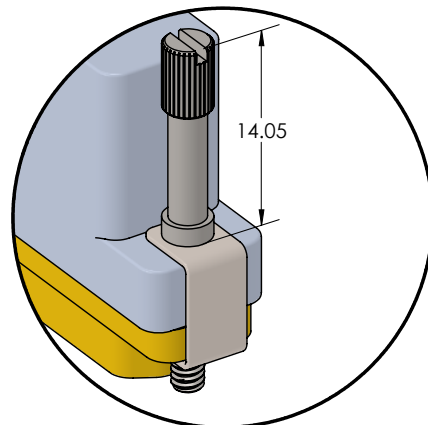
MSK - SOCKET HEAD SCREW



MSL - SLOTTED HEAD SCREW



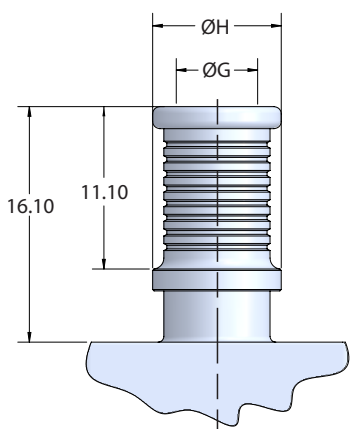
MEK - EXTENDED SOCKET HEAD SCREW



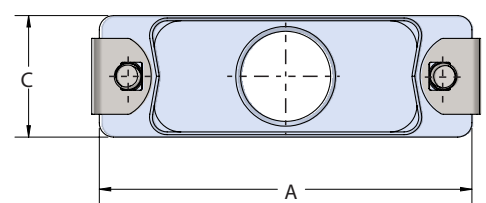
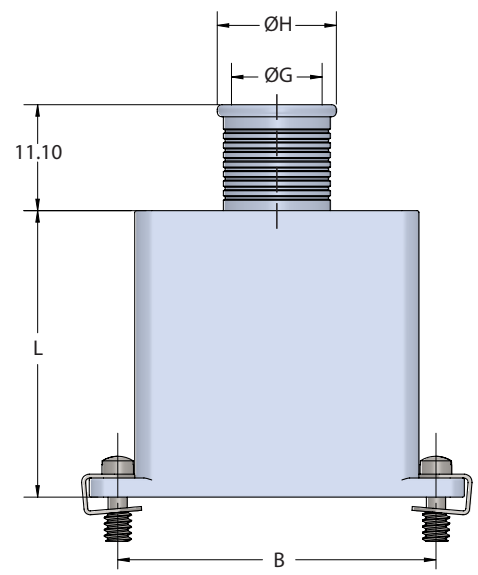
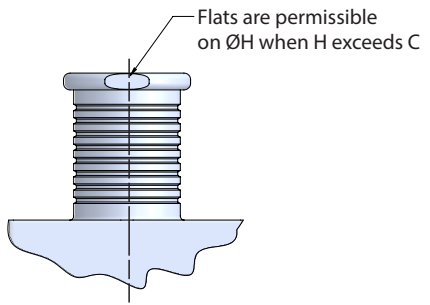
MEL - EXTENDED SLOTTED HEAD SCREW

# SERIES 46 - EMI/RFI ADAPTER

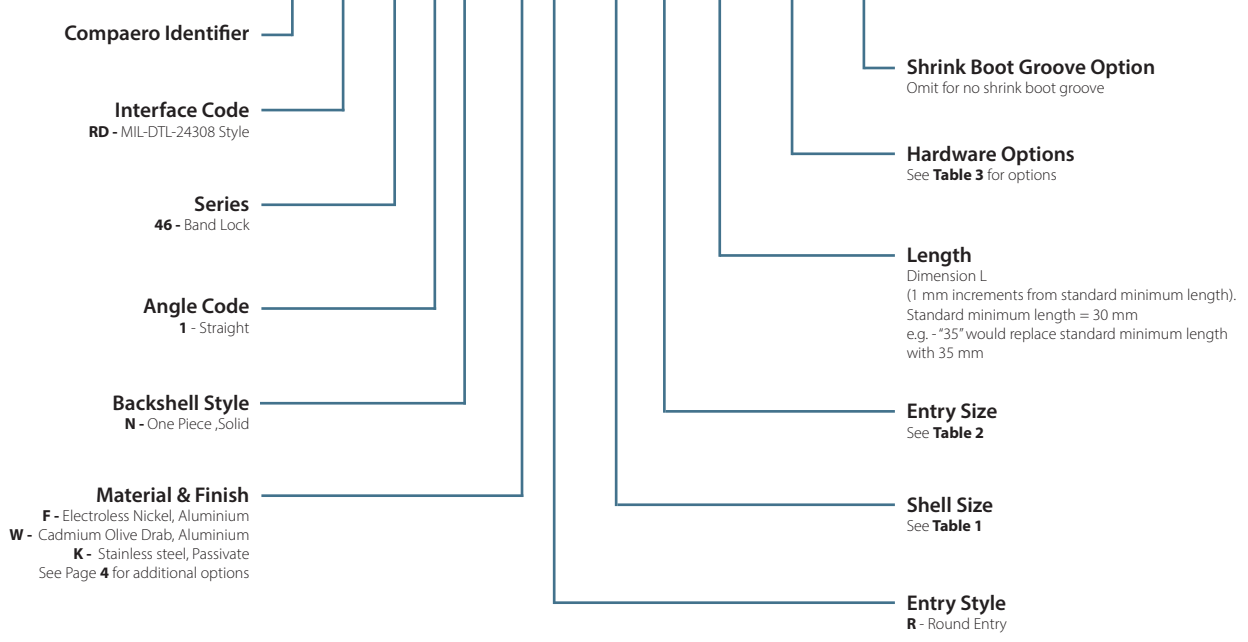
Solid Backshell, Round Entry, Straight  
MIL-DTL-24308 Style



SG - Shrink Boot Groove Option

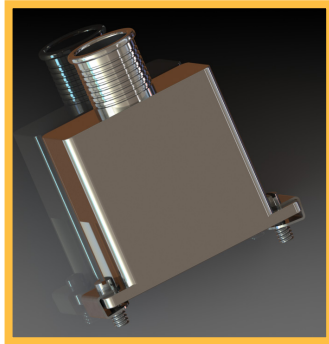


## CP RD 46 1 N - W R - 15 04 -35 -NH - SG



# SERIES 46 - EMI/RFI ADAPTER

Solid Backshell, Round Entry, Straight  
MIL-DTL-24308 Style



**Table 1** Shell Size

SHELL SIZE	A	B	C	MAX ENTRY
09	31.19	25.00	12.93	06
15	39.52	33.33	12.93	06
25	53.42	47.02	12.93	06
37	69.76	63.50	12.93	06
50	67.31	61.12	15.75	08
104	69.70	63.50	17.35	09

**Table 2** Entry Size

ENTRY SIZE	ØG	ØH MAX
01	3.18	9.0
02	4.75	9.0
03	6.86	13.1
04	7.37	13.1
05	7.92	13.1
06	10.03	16.5
07	10.67	16.5
08	12.7	16.5
09	14.27	17.9

**Table 3** Hardware Options

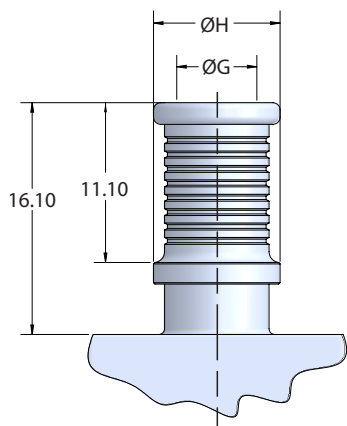
ORDERING CODE	DESCRIPTION
DSL	Slotted Head Screw (2)
DSK	Socket Head Screw (2)
DEL	Extended Slotted Head Screw (2)
DEK	Extended Socket Head Screw (2)
DFJ*	Female Jackpost (2)
NH	No Hardware

\* Not available with shell size 104

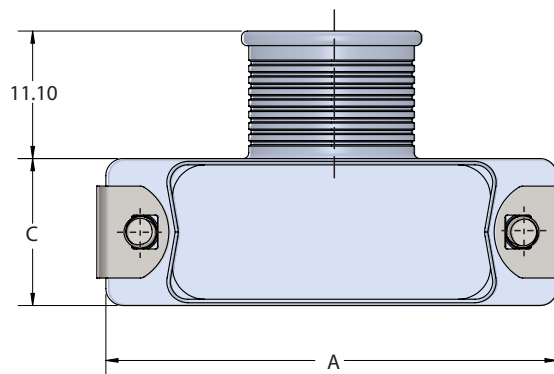
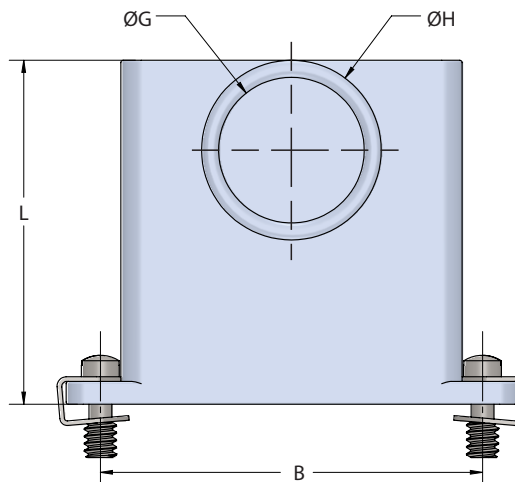
**Tolerance**  
Linear ±0.25 mm  
Angular ±1°

# SERIES 46 - EMI/RFI ADAPTER

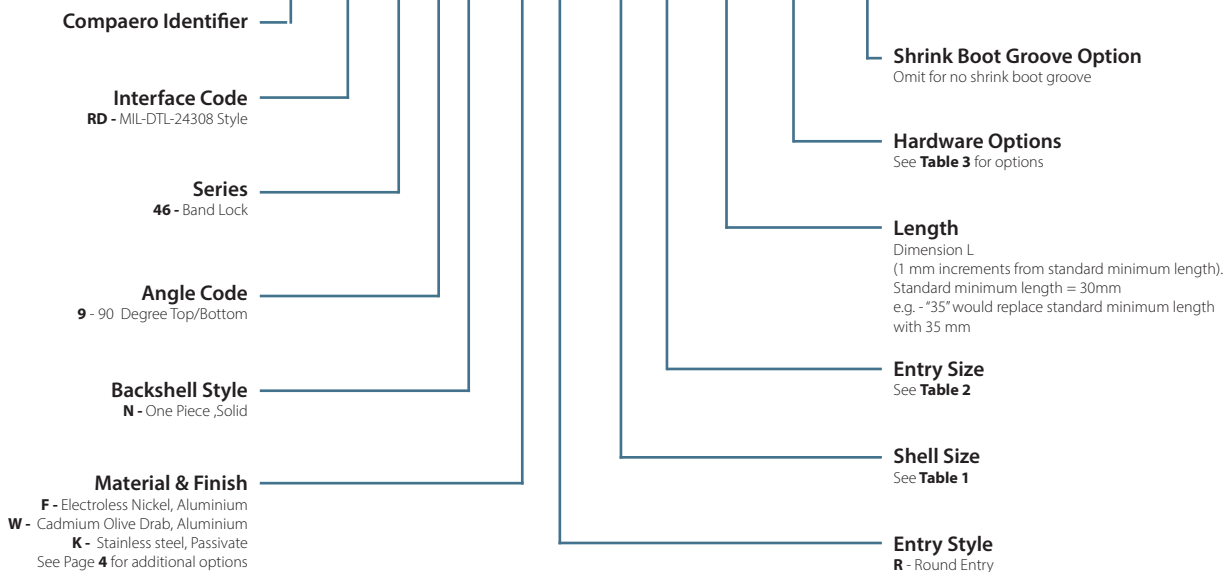
Solid Backshell, Round Entry, 90 Degree Top/Bottom  
MIL-DTL-24308 Style



SG - Shrink Boot Groove Option

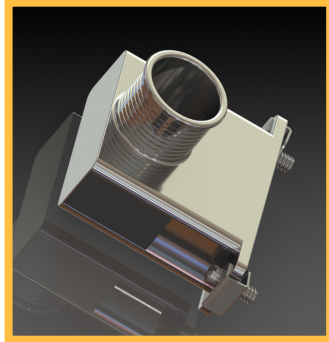


## CP RD 46 9 N - W R - 15 04 -35 -NH - SG



# SERIES 46 - EMI/RFI ADAPTER

Solid Backshell, Round Entry, 90 Degree Top/Bottom  
MIL-DTL-24308 Style



**Table 1** Shell Size

SHELL SIZE	A	B	C	MAX ENTRY
09	31.19	25.00	12.93	08
15	39.52	33.33	12.93	11
25	53.42	47.02	12.93	12
37	69.76	63.50	12.93	12
50	67.31	61.12	15.75	12
104	69.70	63.50	17.35	12

**Table 2** Entry Size

ENTRY SIZE	Ø G	Ø H MAX
01	3.18	9.0
02	4.75	9.0
03	6.86	13.1
04	7.37	13.1
05	7.92	13.1
06	10.03	16.5
07	10.67	16.5
08	12.70	16.5
09	14.27	17.9
10	15.88	19.1
11	17.47	20.7
12	19.05	22.3

**Table 3** Hardware Options

ORDERING CODE	DESCRIPTION
DSL	Slotted Head Screw (2)
DSK	Socket Head Screw (2)
DEL	Extended Slotted Head Screw (2)
DEK	Extended Socket Head Screw (2)
DFJ*	Female Jackpost (2)
NH	No Hardware

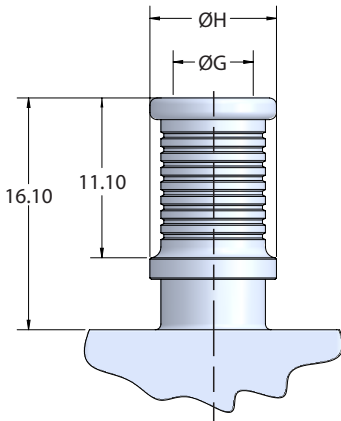
\* Not available with shell size 104

**Tolerance**  
Linear ±0.25 mm  
Angular ±1°

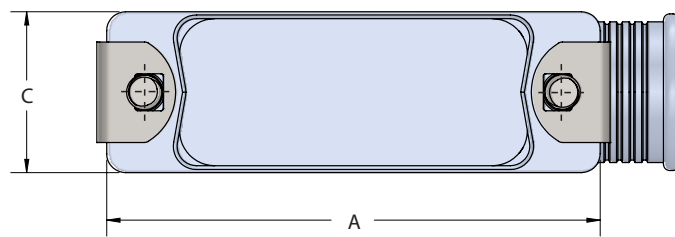
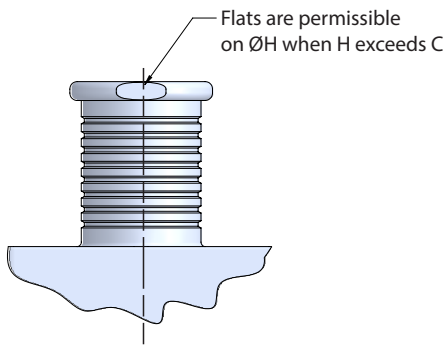
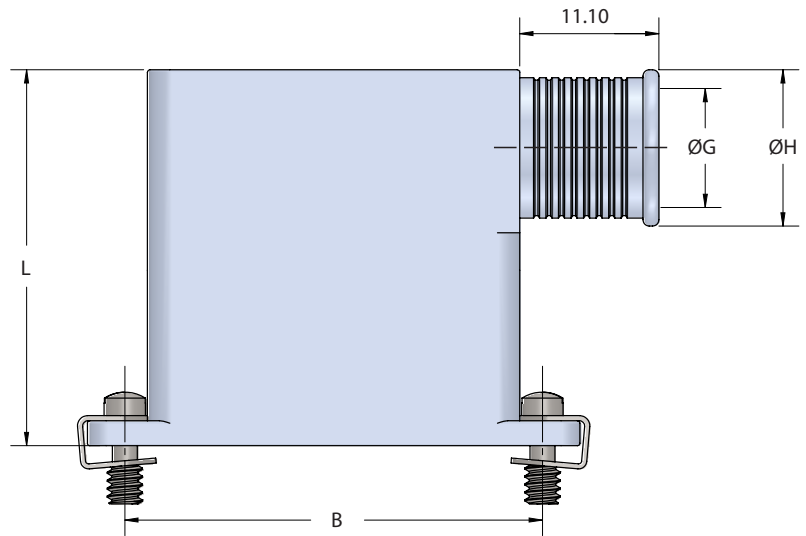
# SERIES 46 - EMI/RFI ADAPTER

Solid Backshell, Round Entry, 90 Degree Left/Right

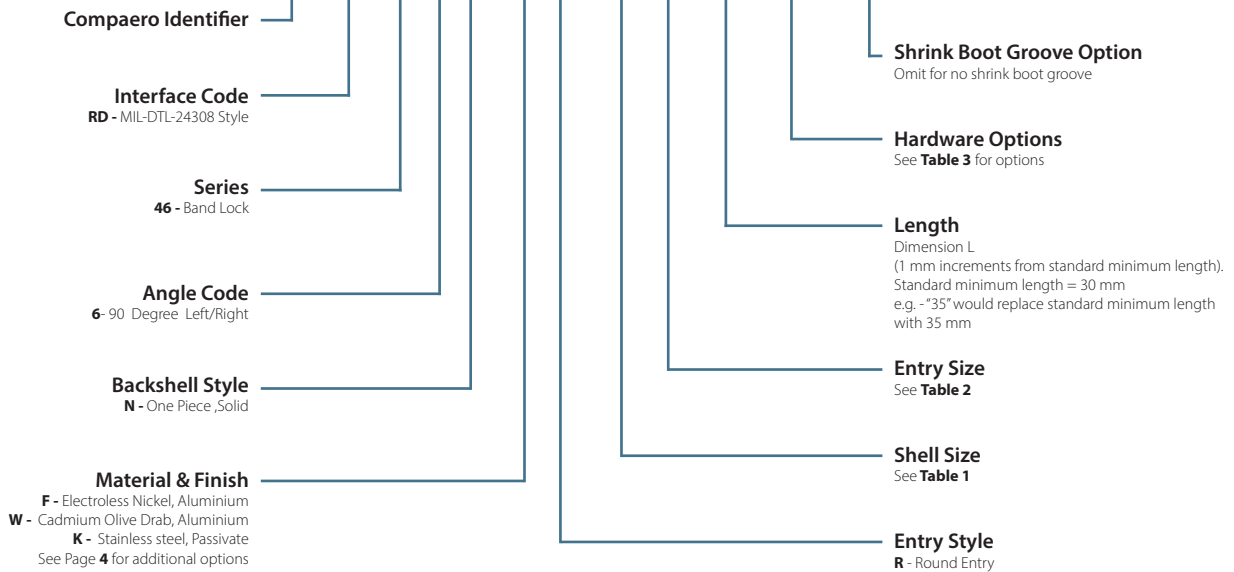
MIL-DTL-24308 Style



SG - Shrink Boot Groove Option

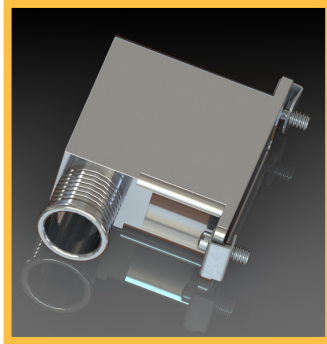


## CP RD 46 6 N - W R - 15 04 - 35 - NH - SG



# SERIES 46 - EMI/RFI ADAPTER

Solid Backshell, Round Entry, 90 Degree Left/Right  
MIL-DTL-24308 Style



**Table 1** Shell Size

SHELL SIZE	A	B	C	MAX ENTRY
09	31.19	25.00	12.93	06
15	39.52	33.33	12.93	06
25	53.42	47.02	12.93	06
37	69.76	63.50	12.93	06
50	67.31	61.12	15.75	08
104	69.70	63.50	17.35	09

**Table 2** Entry Size

ENTRY SIZE	Ø G	Ø H MAX
01	3.18	9.0
02	4.75	9.0
03	6.86	13.1
04	7.37	13.1
05	7.92	13.1
06	10.03	16.5
07	10.67	16.5
08	12.70	16.5
09	14.27	17.9

**Table 3** Hardware Options

ORDERING CODE	DESCRIPTION
DSL	Slotted Head Screw (2)
DSK	Socket Head Screw (2)
DFJ*	Female Jackpost (2)
NH	No Hardware

\* Not available with shell size 104

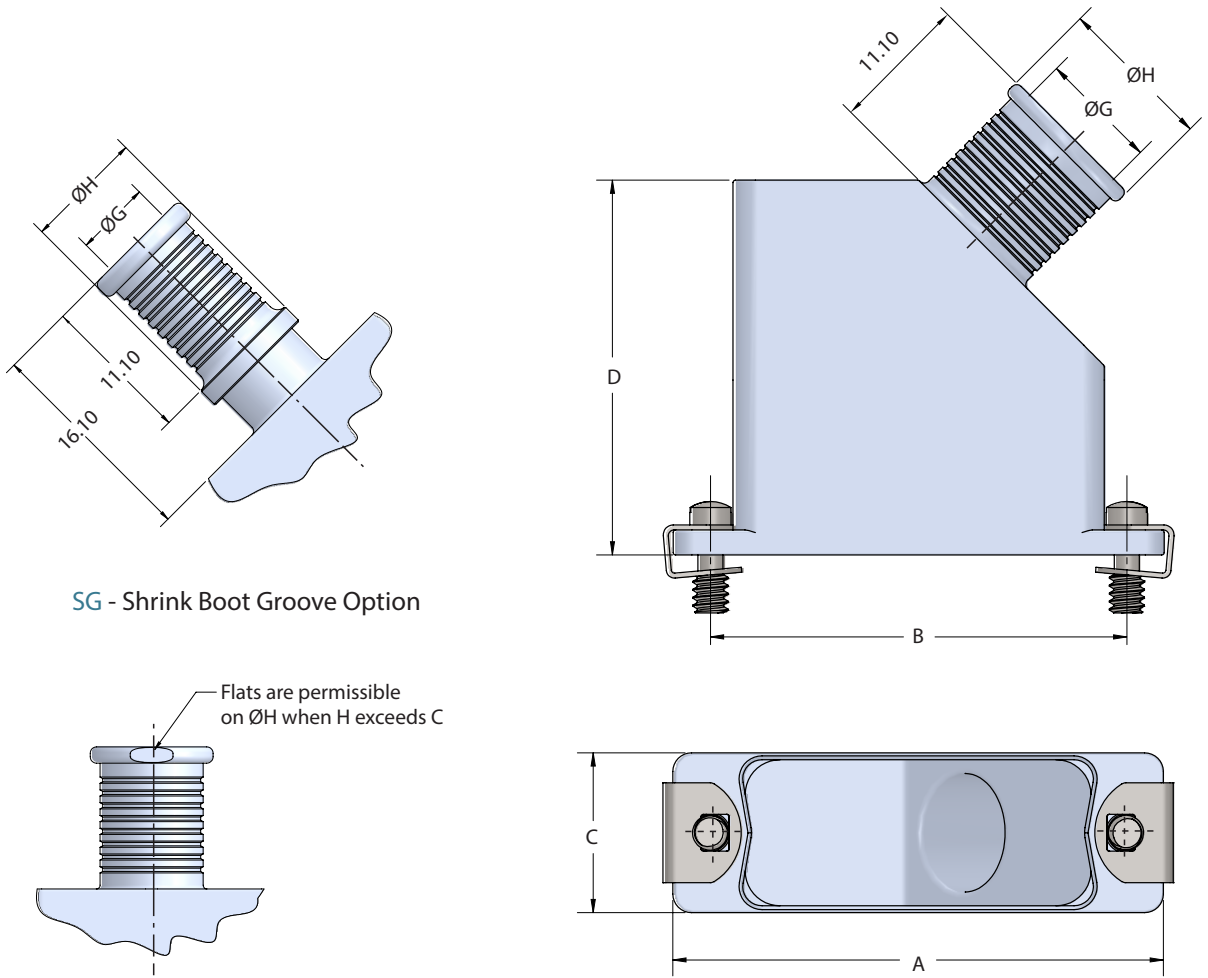
**Tolerance**  
Linear ±0.25 mm  
Angular ±1°



# SERIES 46 - EMI/RFI ADAPTER

Solid Backshell, Round Entry, 45 Degree Left/Right

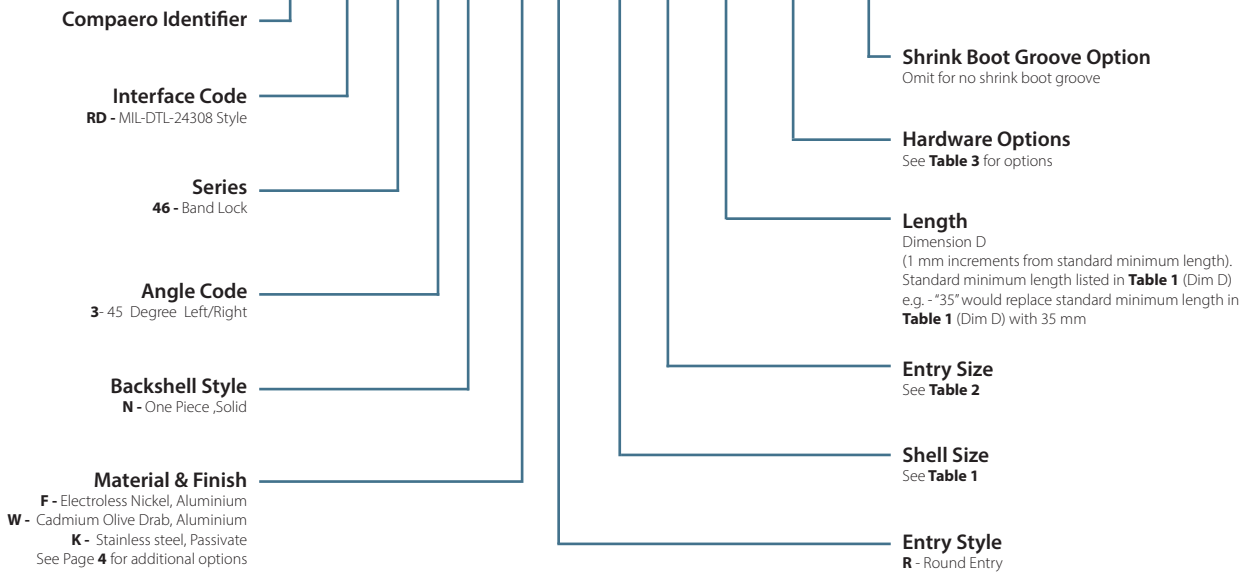
MIL-DTL-24308 Style



SG - Shrink Boot Groove Option

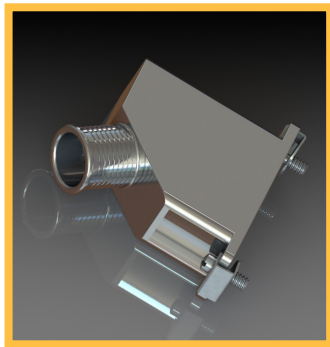
Flats are permissible on  $\text{ØH}$  when H exceeds C

## CP RD 46 3 N - W R - 15 04 - 35 - NH - SG



# SERIES 46 - EMI/RFI ADAPTER

Solid Backshell, Round Entry, 45 Degree Left/Right  
MIL-DTL-24308 Style



**Table 1** Shell Size

SHELL SIZE	A	B	C	D MIN	MAX ENTRY
09	31.19	25.00	12.93	30	06
15	39.52	33.33	12.93	30	06
25	53.42	47.02	12.93	30	06
37	69.76	63.50	12.93	30	06
50	67.31	61.12	15.75	40	08
104	69.70	63.50	17.35	40	09

**Table 2** Entry Size

ENTRY SIZE	ØG	ØH MAX
01	3.18	9.0
02	4.75	9.0
03	6.86	13.1
04	7.37	13.1
05	7.92	13.1
06	10.03	16.5
07	10.67	16.5
08	12.70	16.5
09	14.27	17.9

**Table 3** Hardware Options

ORDERING CODE	DESCRIPTION
DSL	Slotted Head Screw (2)
DSK	Socket Head Screw (2)
DFJ*	Female Jackpost (2)
NH	No Hardware

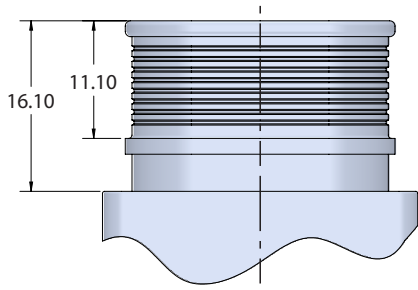
\* Not available with shell size 104

**Tolerance**  
Linear ±0.25 mm  
Angular ±1°

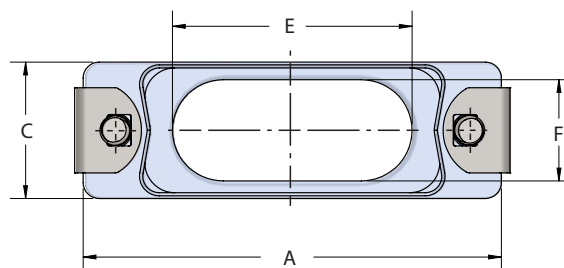
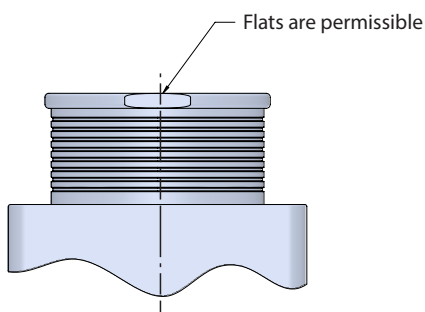
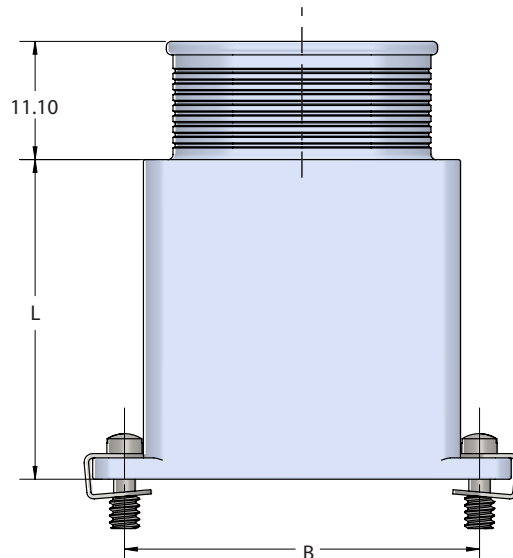
# SERIES 46 - EMI/RFI ADAPTER

Solid Backshell, Elliptical Entry, Straight  
MIL-DTL-24308 Style

COMPAERO



SG - Shrink Boot Groove Option



## CP RD 46 1 N - W E - 15 04 - 35 -NH - SG

Compaero Identifier

Interface Code  
RD - MIL-DTL-24308 Style

Series  
46 - Band Lock

Angle Code  
1 - Straight

Backshell Style  
N - One Piece, Solid

Material & Finish  
F - Electroless Nickel, Aluminium  
W - Cadmium Olive Drab, Aluminium  
K - Stainless steel, Passivate  
See Page 4 for additional options

Shrink Boot Groove Option  
Omit for no shrink boot groove

Hardware Options  
See Table 3 for options

Length  
Dimension L  
(1 mm increments from standard minimum length).  
Standard minimum length = 30 mm  
e.g. -"35" would replace standard minimum length with 35 mm.

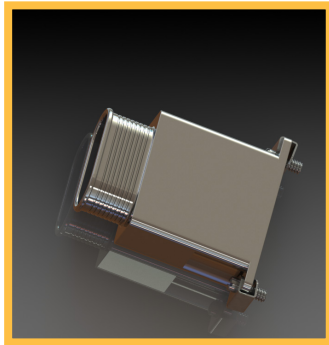
Entry Size  
See Table 2

Shell Size  
See Table 1

Entry Style  
E - Elliptical Entry

# SERIES 46 - EMI/RFI ADAPTER

Solid Backshell, Elliptical Entry, Straight MIL-DTL-24308 Style



**Table 1** Shell Size

SHELL SIZE	A	B	C	MAX ENTRY
09	31.19	25.00	12.93	02
15	39.52	33.33	12.93	04
25	53.42	47.02	12.93	06
37	69.76	63.50	12.93	09
50	67.31	61.12	15.75	10
104	69.70	63.50	17.35	12

**Table 2** Entry Size

ENTRY SIZE	E MIN	F MIN
01	13.0	9.5
02	16.5	9.5
03	20.5	9.5
04	24.7	9.5
05	29.4	9.5
06	34.6	9.5
07	40.2	9.5
08	46.2	9.5
09	52.7	9.5
10	50.0	12.0
11	49.2	13.9
12	54.9	13.9

**Table 3** Hardware Options

ORDERING CODE	DESCRIPTION
DSL	Slotted Head Screw (2)
DSK	Socket Head Screw (2)
DEL	Extended Slotted Head Screw (2)
DEK	Extended Socket Head Screw (2)
DFJ*	Female Jackpost (2)
NH	No Hardware

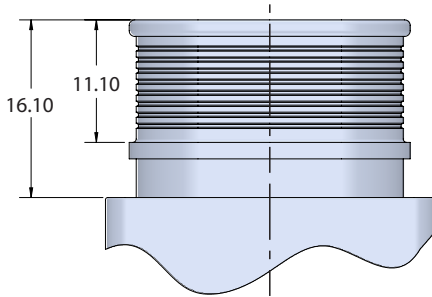
\* Not available with shell size 104

**Tolerance**  
Linear  $\pm 0.25$  mm  
Angular  $\pm 1^\circ$

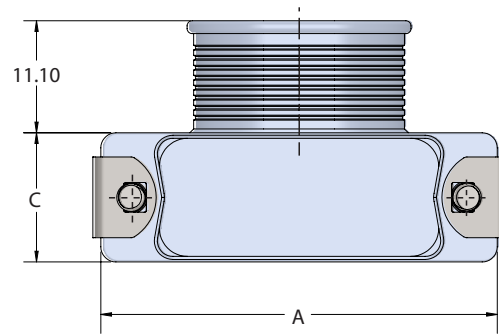
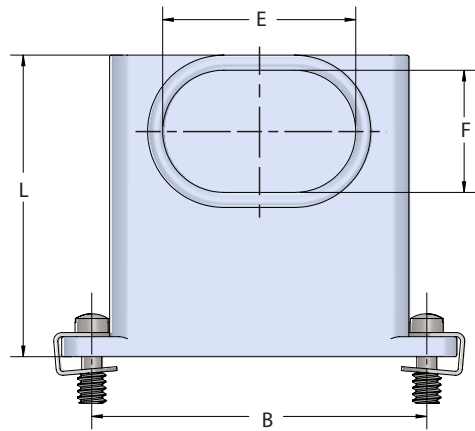
# SERIES 46 - EMI/RFI ADAPTER

Solid Backshell, Elliptical Entry, 90 Degree Top/Bottom

MIL-DTL-24308 Style



SG - Shrink Boot Groove Option



## CP RD 46 9 N - W E - 15 04 -35 -NH - SG

Compaero Identifier

Interface Code

RD - MIL-DTL-24308 Style

Series

46 - Band Lock

Angle Code

9 - 90 Degree Top/Bottom

Backshell Style

N - One Piece, Solid

Material & Finish

F - Electroless Nickel, Aluminium

W - Cadmium Olive Drab, Aluminium

K - Stainless steel, Passivate

See Page 4 for additional options

Shrink Boot Groove Option

Omit for no shrink boot groove

Hardware Options

See Table 3 for options

Length

Dimension L

(1 mm increments from standard minimum length).

Standard minimum length = 30mm

e.g. - "35" would replace standard minimum length with 35 mm.

Entry Size

See Table 2

Shell Size

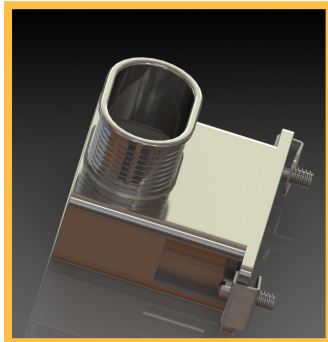
See Table 1

Entry Style

E - Elliptical Entry

# SERIES 46 - EMI/RFI ADAPTER

Solid Backshell, Elliptical Entry, 90 Degree Top/Bottom  
MIL-DTL-24308 Style



**Table 1** Shell Size

SHELL SIZE	A	B	C	MAX ENTRY
09	31.19	25.00	12.93	02
15	39.52	33.33	12.93	04
25	53.42	47.02	12.93	06
37	69.76	63.50	12.93	09
50	67.31	61.12	15.75	10
104	69.70	63.50	17.35	12

**Table 2** Entry Size

ENTRY SIZE	E MIN	F MIN
01	13.0	9.5
02	16.5	9.5
03	20.5	9.5
04	24.7	9.5
05	29.4	9.5
06	34.6	9.5
07	40.2	9.5
08	46.2	9.5
09	52.7	9.5
10	50.0	12.0
11	49.2	13.9
12	54.9	13.9

**Table 3** Hardware Options

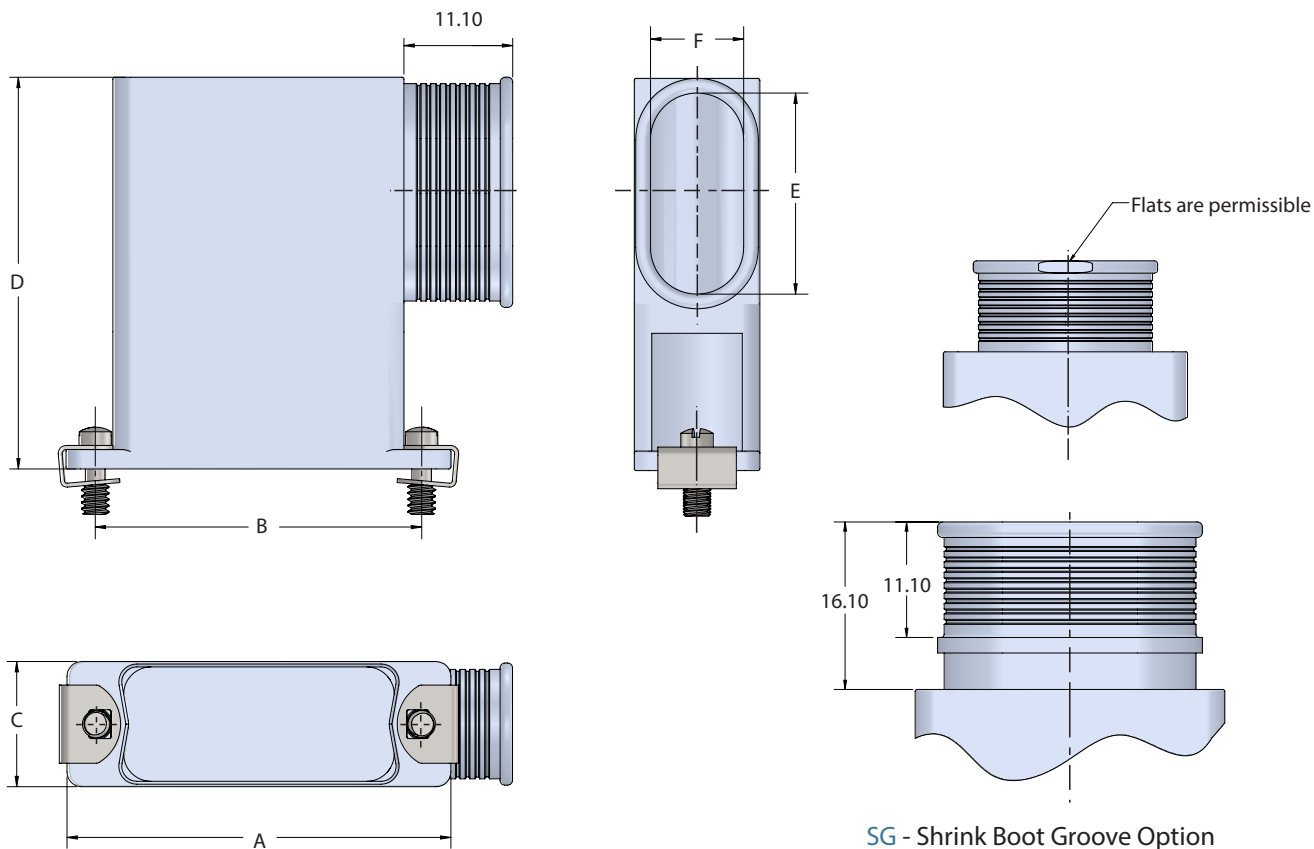
ORDERING CODE	DESCRIPTION
DSL	Slotted Head Screw (2)
DSK	Socket Head Screw (2)
DEL	Extended Slotted Head Screw (2)
DEK	Extended Socket Head Screw (2)
DFJ*	Female Jackpost (2)
NH	No Hardware

\* Not available with shell size 104

**Tolerance**  
Linear  $\pm 0.25$  mm  
Angular  $\pm 1^\circ$

# SERIES 46 - EMI/RFI ADAPTER

Solid Backshell, Elliptical Entry, 90 Degree left/Right  
MIL-DTL-24308 Style



SG - Shrink Boot Groove Option

## CP RD 46 6 N - W E - 15 02 -45 -NH - SG

Compaero Identifier

Interface Code

RD - MIL-DTL-24308 Style

Series

46 - Band Lock

Angle Code

6 - 90 Degree Left/Right

Backshell Style

N - One Piece, Solid

Material & Finish

F - Electroless Nickel, Aluminium  
W - Cadmium Olive Drab, Aluminium

K - Stainless steel, Passivate  
See Page 4 for additional options

Shrink Boot Groove Option  
Omit for no shrink boot groove

Hardware Options  
See Table 3 for options

Length  
Dimension D  
(1 mm increments from standard minimum length).  
Standard minimum length listed in Table 2 (Dim D)  
e.g. -45" would replace standard minimum length in  
Table 2 (Dim D) with 45 mm.

Entry Size  
See Table 2

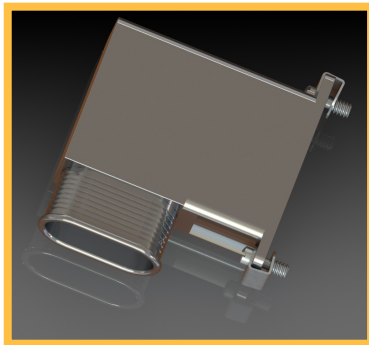
Shell Size  
See Table 1

Entry Style  
E - Elliptical Entry



# SERIES 46 - EMI/RFI ADAPTER

Solid Backshell, Elliptical Entry, 90 Degree left/Right  
MIL-DTL-24308 Style



**Table 1** Shell Size

SHELL SIZE	A	B	C	MAX ENTRY
09	31.19	25.00	12.93	01
15	39.52	33.33	12.93	02
25	53.42	47.02	12.93	03
37	69.76	63.50	12.93	04
50	67.31	61.12	15.75	06
104	69.70	63.50	17.35	07

**Table 2** Entry Size

ENTRY SIZE	E MIN	F MIN	D MIN
01	13.00	9.50	40
02	16.50	9.50	43
03	20.50	9.50	47
04	24.70	9.50	52
05	29.40	9.50	56
06	29.40	12.00	56
07	29.40	13.90	56

**Table 3** Hardware Options

ORDERING CODE	DESCRIPTION
DSL	Slotted Head Screw (2)
DSK	Socket Head Screw (2)
DFJ*	Female Jackpost (2)
NH	No Hardware

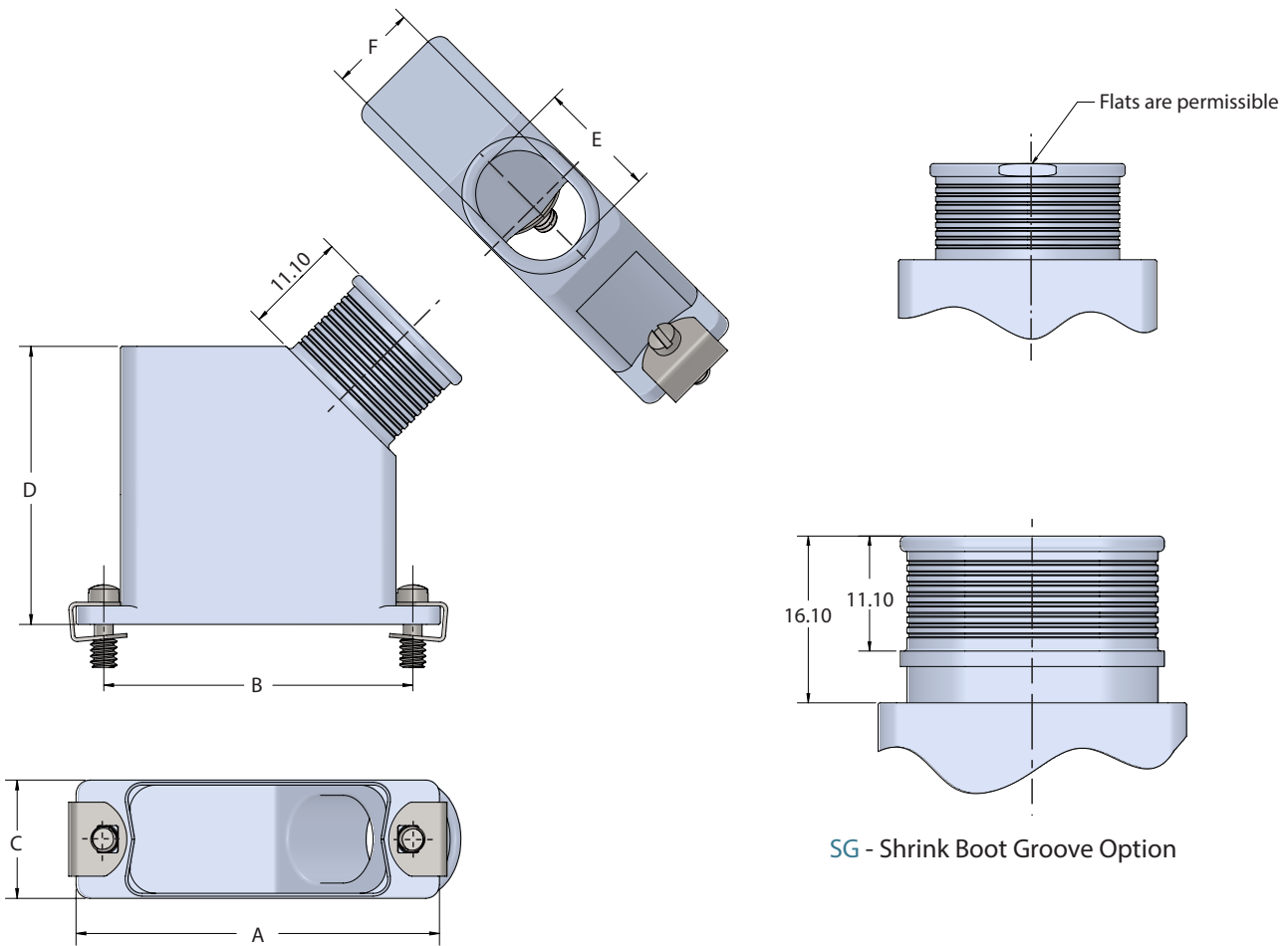
\* Not available with shell size 104

**Tolerance**  
Linear  $\pm 0.25$  mm  
Angular  $\pm 1^\circ$

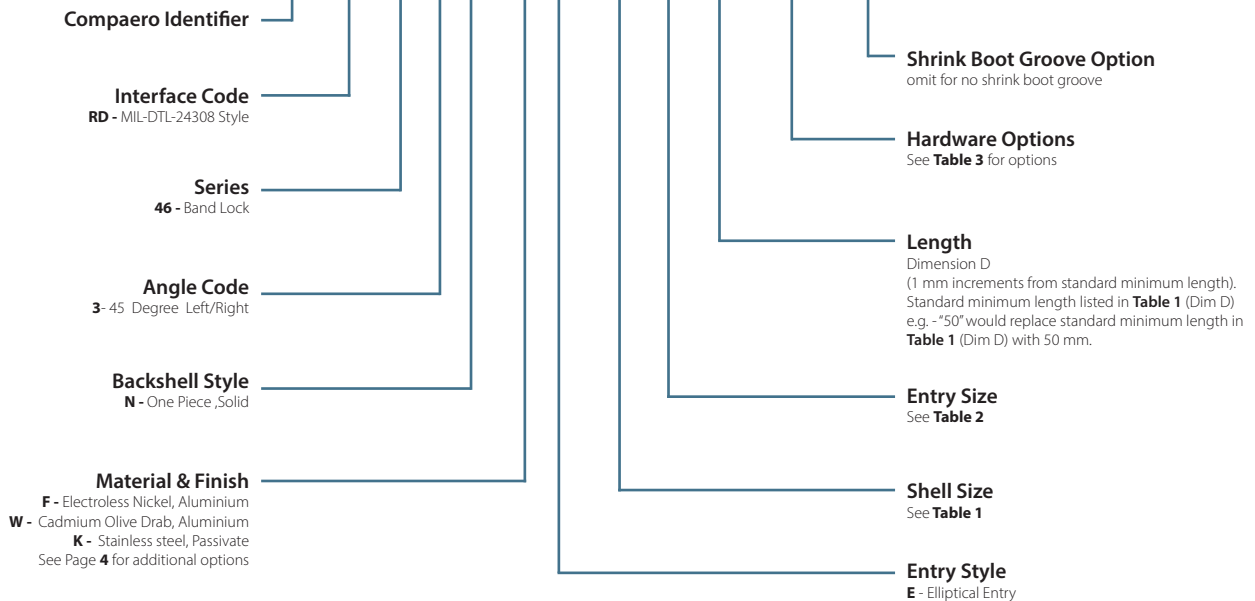
# SERIES 46 - EMI/RFI ADAPTER

Solid Backshell, Elliptical Entry, 45 Degree Left/Right

MIL-DTL-24308 Style

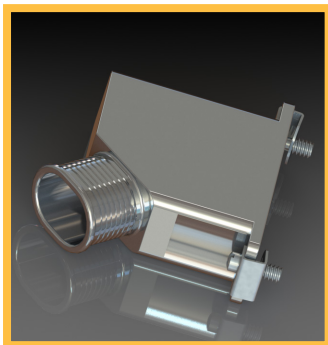


## CPRD 46 3 N - W E - 15 03 - 50 - NH - SG



# SERIES 46 - EMI/RFI ADAPTER

Solid Backshell, Elliptical Entry, 45 Degree Left/Right  
MIL-DTL-24308 Style



**Table 1** Shell Size

SHELL SIZE	A	B	C	D MIN	MAX ENTRY
09	31.19	25.00	12.93	35	01
15	39.52	33.33	12.93	40	03
25	53.42	47.02	12.93	40	03
37	69.76	63.50	12.93	50	06
50	67.31	61.12	15.75	55	08
104	69.70	63.50	17.35	55	09

**Table 2** Entry Size

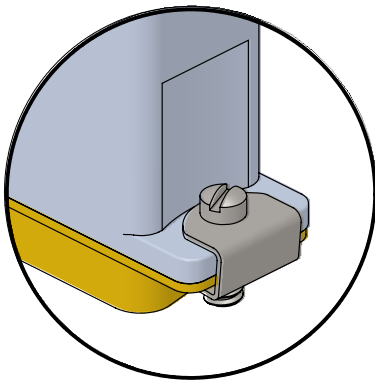
ENTRY SIZE	E MIN	F MIN
01	13.00	9.50
02	16.50	9.50
03	20.50	9.50
04	24.70	9.50
05	29.40	9.50
06	34.60	9.50
07	40.20	9.50
08	40.20	12.00
09	40.20	13.90

**Table 3** Hardware Options

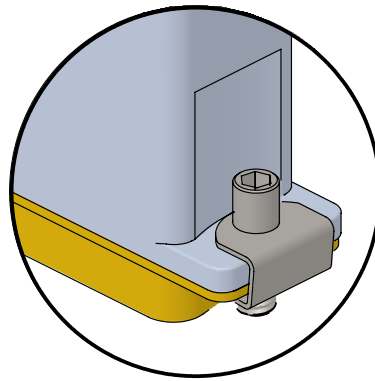
ORDERING CODE	DESCRIPTION
DSL	Slotted Head Screw (2)
DSK	Socket Head Screw (2)
DFJ*	Female Jackpost (2)
NH	No Hardware

\* Not available with shell size 104

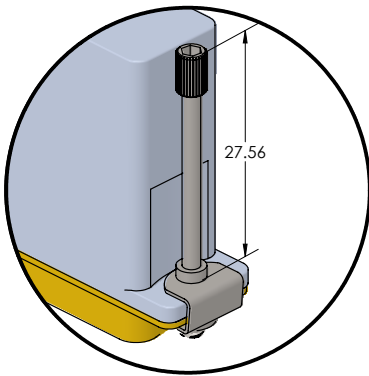
**Tolerance**  
Linear  $\pm 0.25$  mm  
Angular  $\pm 1^\circ$



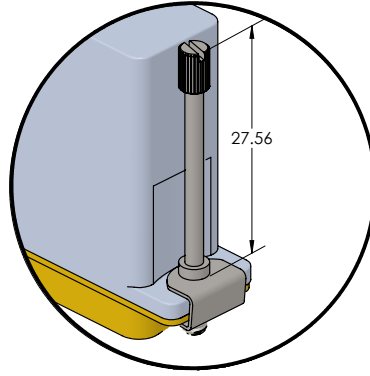
DSL - SLOTTED HEAD SCREW



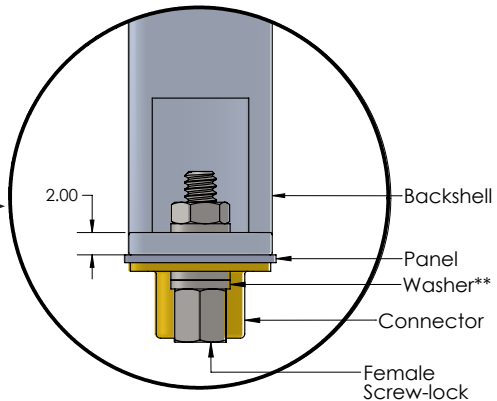
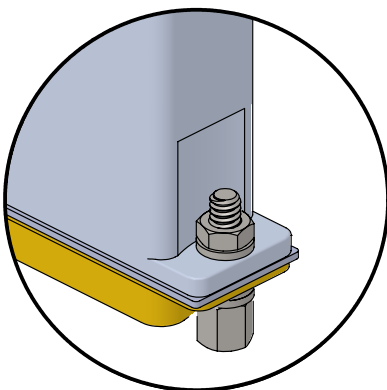
DSK - SOCKET HEAD SCREW



DEK - EXTENDED SOCKET HEAD SCREW



DEL - EXTENDED SLOTTED HEAD SCREW



\*DFJ - FEMALE JACK POST

\*\*Number of washers depends upon panel thickness. Consult factory for more details

\* Not available with shell size 104



## **MOORESVILLE, USA**

**(+1) 704-235-2900**  
379 Timber Road,  
 Mooresville NC,  
 28115 USA

## **KOCHI, INDIA**

**(+91) 484 2345 566**  
No. 38/445, Mother Theresa Road,  
 Edappally, Kochi - 682 024,  
 Kerala, India

**WWW.COMPAERO.COM**

All information is believed to be reliable. Readers should independently evaluate the suitability of each product for their application. Compaero makes no warranties as to the accuracy or completeness of the information herein and disclaims any liability regarding its use. Specifications are subject to change without notice. Compaero reserves the right to make changes, without notification to the customer, to processing or materials that do not affect compliance with any applicable specification.