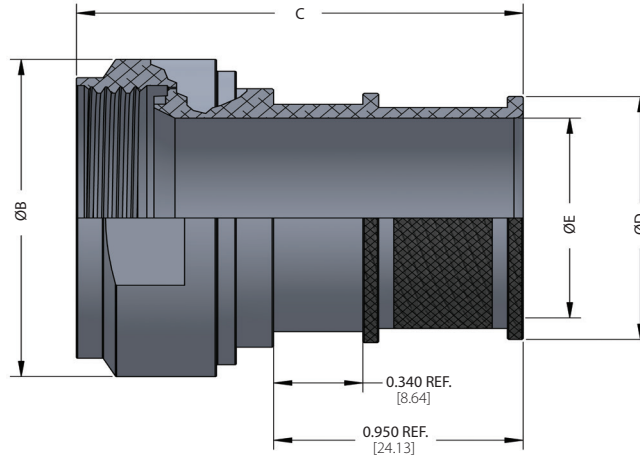
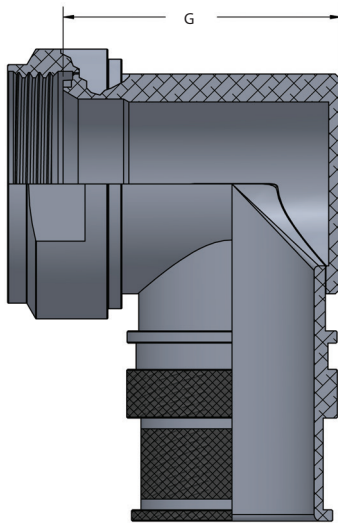


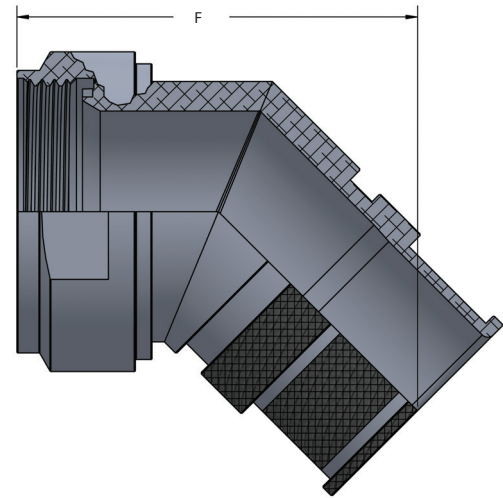
**Angle 1 - Straight Rotatable Coupling**



**Angle 8 - 90 Degree**



**Angle 4 - 45 Degree**



**CP A 45 1 F - 12 03**

**Compaero Identifier**

**Connector Interface**

See PAGE 5 for details

**Series Identifier**

**Angle**

**Material & Finish**

F : FINISH 1.4.3.4 OF MIL-STD-171, .001" THICK MINIMUM ON ALUMINUM ALLOY : 6061-T6.

K : FINISH 5.4.1 OF MIL-STD-171 ON STEEL CORROSION RESISTANT TYPE 303 OR 303Se OR STEEL CORROSION RESISTING TYPE 304L.

**Cable Entry**

See table 1 & table 2

**Shell Size**

See table 1 & table 2

# SERIES 45

## TACOM Adapters, A INTERFACE



**Table 1 - ALUMINUM**

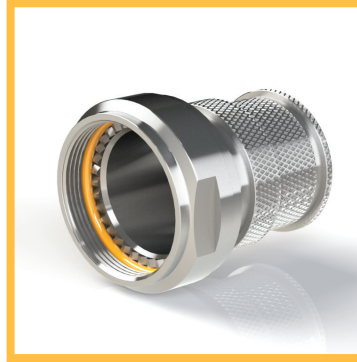
SHELL SIZE	ENTRY SIZE	TACOM PART NO. (Angle 1)	ØB MAX		C REF		ØD MAX		ØE MAX		TACOM PART NO. (Angle 4)	F REF		TACOM PART NO. (Angle 8)	G REF	
			in	mm	in	mm	in	mm	in	mm		in	mm		in	mm
08	02	12347631-1	0.78	19.81	1.70	43.18	0.53	13.46	0.28	7.11	12387121-1	1.46	37.08	12387120-1	0.96	24.38
10	32	12347631-2	0.91	23.11	1.70	43.18	0.61	15.49	0.37	9.40	12387121-2	1.48	37.59	12387120-2	1.04	26.42
12	04	12347631-3	1.03	26.16	1.70	43.18	0.78	19.81	0.52	13.21	12387121-3	1.52	38.61	12387120-3	1.14	28.96
14	34	12347631-4	1.16	29.46	1.70	43.18	0.84	21.34	0.58	14.73	12387121-4	1.56	39.62	12387120-4	1.20	30.48
16	35	12347631-5	1.28	32.51	1.70	43.18	0.96	24.38	0.71	18.03	12387121-5	1.60	40.64	12387120-5	1.34	34.04
18	06	12347631-6	1.34	34.04	1.70	43.18	1.04	26.42	0.79	20.07	12387121-6	1.66	42.16	12387120-6	1.46	37.08
20	07	12347631-7	1.47	37.34	1.70	43.18	1.22	30.99	0.91	23.11	12387121-7	1.70	43.18	12387120-7	1.65	41.91
22	08	12347631-8	1.59	40.39	1.70	43.18	1.35	34.29	1.04	26.42	12387121-8	1.73	43.94	12387120-8	1.73	43.94
24	38	12347631-9	1.72	43.69	1.70	43.18	1.48	37.59	1.17	29.72	12387121-9	1.79	45.47	12387120-9	1.77	44.96

inches millimeters

**Table 2 - STAINLESS STEEL**

SHELL SIZE	ENTRY SIZE	TACOM PART NO. (Angle 1)	ØB MAX		C REF		ØD MAX		ØE MAX		TACOM PART NO. (Angle 4)	F REF		TACOM PART NO. (Angle 8)	G REF	
			in	mm	in	mm	in	mm	in	mm		in	mm		in	mm
08	02	12347631-10	0.78	19.81	1.70	43.18	0.53	13.46	0.28	7.11	12387121-10	1.46	37.08	12387120-10	0.96	24.38
10	32	12347631-11	0.91	23.11	1.70	43.18	0.61	15.49	0.37	9.40	12387121-11	1.48	37.59	12387120-11	1.04	26.42
12	04	12347631-12	1.03	26.16	1.70	43.18	0.78	19.81	0.52	13.21	12387121-12	1.52	38.61	12387120-12	1.14	28.96
14	34	12347631-13	1.16	29.46	1.70	43.18	0.84	21.34	0.58	14.73	12387121-13	1.56	39.62	12387120-13	1.20	30.48
16	35	12347631-14	1.28	32.51	1.70	43.18	0.96	24.38	0.71	18.03	12387121-14	1.60	40.64	12387120-14	1.34	34.04
18	06	12347631-15	1.34	34.04	1.70	43.18	1.04	26.42	0.79	20.07	12387121-15	1.66	42.16	12387120-15	1.46	37.08
20	07	12347631-16	1.47	37.34	1.70	43.18	1.22	30.99	0.91	23.11	12387121-16	1.70	43.18	12387120-16	1.65	41.91
22	08	12347631-17	1.59	40.39	1.70	43.18	1.35	34.29	1.04	26.42	12387121-17	1.73	43.94	12387120-17	1.73	43.94
24	38	12347631-18	1.72	43.69	1.70	43.18	1.48	37.59	1.17	29.72	12387121-18	1.79	45.47	12387120-18	1.77	44.96

inches millimeters



**Table 1 - ALUMINUM**

SHELL SIZE	ENTRY SIZE	TACOM PART NO. (Angle 1)	ØB MAX		C REF		ØD MAX		ØE MAX		TACOM PART NO. (Angle 4)	F REF		TACOM PART NO. (Angle 8)	G REF	
			in	mm	in	mm	in	mm	in	mm		in	mm		in	mm
09	02	12387118-1	0.78	19.81	1.58	40.13	0.53	13.46	0.27	6.86	12387117-1	1.57	39.88	12387119-1	0.89	22.61
11	03	12387118-2	0.91	23.11	1.58	40.13	0.61	15.49	0.41	10.41	12387117-2	1.59	40.39	12387119-2	1.02	25.91
13	04	12387118-3	1.03	26.16	1.58	40.13	0.78	19.81	0.52	13.21	12387117-3	1.63	41.40	12387119-3	1.14	28.96
15	05	12387118-4	1.16	29.46	1.58	40.13	0.84	21.34	0.65	16.51	12387117-4	1.67	42.42	12387119-4	1.26	32.00
17	06	12387118-5	1.28	32.51	1.58	40.13	0.96	24.38	0.78	19.81	12387117-5	1.71	43.43	12387119-5	1.40	35.56
19	07	12387118-6	1.41	35.81	1.58	40.13	1.04	26.42	0.88	22.35	12387117-6	1.77	44.96	12387119-6	1.56	39.62
21	08	12387118-7	1.53	38.86	1.58	40.13	1.22	30.99	1.01	25.65	12387117-7	1.81	45.97	12387119-7	1.65	41.91
23	09	12387118-8	1.66	42.16	1.58	40.13	1.35	34.29	1.13	28.70	12387117-8	1.84	46.74	12387119-8	1.77	44.96
25	10	12387118-9	1.78	45.21	1.58	40.13	1.48	37.59	1.26	32.00	12387117-9	1.90	48.26	12387119-9	1.89	48.01

inches millimeters

**Table 2 - STAINLESS STEEL**

SHELL SIZE	ENTRY SIZE	TACOM PART NO. (Angle 1)	ØB MAX		C REF		ØD MAX		ØE MAX		TACOM PART NO. (Angle 4)	F REF		TACOM PART NO. (Angle 8)	G REF	
			in	mm	in	mm	in	mm	in	mm		in	mm		in	mm
09	02	12387118-10	0.78	19.81	1.58	40.13	0.53	13.46	0.27	6.86	12387117-10	1.57	39.88	12387119-10	0.89	22.61
11	03	12387118-11	0.91	23.11	1.58	40.13	0.61	15.49	0.41	10.41	12387117-11	1.59	40.39	12387119-11	1.02	25.91
13	04	12387118-12	1.03	26.16	1.58	40.13	0.78	19.81	0.52	13.21	12387117-12	1.63	41.40	12387119-12	1.14	28.96
15	05	12387118-13	1.16	29.46	1.58	40.13	0.84	21.34	0.65	16.51	12387117-13	1.67	42.42	12387119-13	1.26	32.00
17	06	12387118-14	1.28	32.51	1.58	40.13	0.96	24.38	0.78	19.81	12387117-14	1.71	43.43	12387119-14	1.40	35.56
19	07	12387118-15	1.41	35.81	1.58	40.13	1.04	26.42	0.88	22.35	12387117-15	1.77	44.96	12387119-15	1.56	39.62
21	08	12387118-16	1.53	38.86	1.58	40.13	1.22	30.99	1.01	25.65	12387117-16	1.81	45.97	12387119-16	1.65	41.91
23	09	12387118-17	1.66	42.16	1.58	40.13	1.35	34.29	1.13	28.70	12387117-17	1.84	46.74	12387119-17	1.77	44.96
25	10	12387118-18	1.78	45.21	1.58	40.13	1.48	37.59	1.26	32.00	12387117-18	1.90	48.26	12387119-18	1.89	48.01

inches millimeters

**Table 3 - EQUIVALENT PART NUMBERS**

TACOM PART NO.	COMPAERO PART NO.	TACOM PART NO.	COMPAERO PART NO.	TACOM PART NO.	COMPAERO PART NO.
(Angle 1- Straight)		(Angle 4- 45 Degree)		(Angle 8- 90 Degree)	
A INTERFACE					
12347631-1	CPA451F-0802	12387121-1	CPA454F-0802	12387120-1	CPA458F-0802
12347631-2	CPA451F-1032	12387121-2	CPA454F-1032	12387120-2	CPA458F-1032
12347631-3	CPA451F-1204	12387121-3	CPA454F-1204	12387120-3	CPA458F-1204
12347631-4	CPA451F-1434	12387121-4	CPA454F-1434	12387120-4	CPA458F-1434
12347631-5	CPA451F-1635	12387121-5	CPA454F-1635	12387120-5	CPA458F-1635
12347631-6	CPA451F-1806	12387121-6	CPA454F-1806	12387120-6	CPA458F-1806
12347631-7	CPA451F-2007	12387121-7	CPA454F-2007	12387120-7	CPA458F-2007
12347631-8	CPA451F-2208	12387121-8	CPA454F-2208	12387120-8	CPA458F-2208
12347631-9	CPA451F-2438	12387121-9	CPA454F-2438	12387120-9	CPA458F-2438
12347631-10	CPA451K-0802	12387121-10	CPA454K-0802	12387120-10	CPA458K-0802
12347631-11	CPA451K-1032	12387121-11	CPA454K-1032	12387120-11	CPA458K-1032
12347631-12	CPA451K-1204	12387121-12	CPA454K-1204	12387120-12	CPA458K-1204
12347631-13	CPA451K-1434	12387121-13	CPA454K-1434	12387120-13	CPA458K-1434
12347631-14	CPA451K-1635	12387121-14	CPA454K-1635	12387120-14	CPA458K-1635
12347631-15	CPA451K-1806	12387121-15	CPA454K-1806	12387120-15	CPA458K-1806
12347631-16	CPA451K-2007	12387121-16	CPA454K-2007	12387120-16	CPA458K-2007
12347631-17	CPA451K-2208	12387121-17	CPA454K-2208	12387120-17	CPA458K-2208
12347631-18	CPA451K-2438	12387121-18	CPA454K-2438	12387120-18	CPA458K-2438
H INTERFACE					
12387118-1	CPH451F-0902	12387117-1	CPH454F-0902	12387119-1	CPH458F-0902
12387118-2	CPH451F-1103	12387117-2	CPH454F-1103	12387119-2	CPH458F-1103
12387118-3	CPH451F-1304	12387117-3	CPH454F-1304	12387119-3	CPH458F-1304
12387118-4	CPH451F-1505	12387117-4	CPH454F-1505	12387119-4	CPH458F-1505
12387118-5	CPH451F-1706	12387117-5	CPH454F-1706	12387119-5	CPH458F-1706
12387118-6	CPH451F-1907	12387117-6	CPH454F-1907	12387119-6	CPH458F-1907
12387118-7	CPH451F-2108	12387117-7	CPH454F-2108	12387119-7	CPH458F-2108
12387118-8	CPH451F-2309	12387117-8	CPH454F-2309	12387119-8	CPH458F-2309
12387118-9	CPH451F-2510	12387117-9	CPH454F-2510	12387119-9	CPH458F-2510
12387118-10	CPH451K-0902	12387117-10	CPH454K-0902	12387119-10	CPH458K-0902
12387118-11	CPH451K-1103	12387117-11	CPH454K-1103	12387119-11	CPH458K-1103
12387118-12	CPH451K-1304	12387117-12	CPH454K-1304	12387119-12	CPH458K-1304
12387118-13	CPH451K-1505	12387117-13	CPH454K-1505	12387119-13	CPH458K-1505
12387118-14	CPH451K-1706	12387117-14	CPH454K-1706	12387119-14	CPH458K-1706
12387118-15	CPH451K-1907	12387117-15	CPH454K-1907	12387119-15	CPH458K-1907
12387118-16	CPH451K-2108	12387117-16	CPH454K-2108	12387119-16	CPH458K-2108
12387118-17	CPH451K-2309	12387117-17	CPH454K-2309	12387119-17	CPH458K-2309
12387118-18	CPH451F-2510	12387117-18	CPH454K-2510	12387119-18	CPH458K-2510

# CONNECTOR INTERFACE CODES

For standard circular interfaces



Compaero offer termination solutions for virtually all known connector interfaces, the variants highlighted below are our standard lines, available on all product lines shown in this catalogue.

To discuss connector interface options not shown, please contact your local sales representative, or e-mail [sales@compaero.com](mailto:sales@compaero.com)

CONNECTOR INTERFACE	INTERFACE CODE
<b>MIL-DTL-26482-SERIES II</b> MS3470, MS3471, MS3472, MS3474, MS3475, MS3476	<b>A</b>
<b>MIL-DTL-38999 SERIES III &amp; IV</b> D38999/20, /24, /26, /40, /46, /47	<b>H</b>
<b>MIL-DTL-5015 CRIMP</b> MS3400, MS3401, MS3404, MS3406, MS3450, MS3451, MS3454, MS3456	<b>A</b>
<b>MIL-DTL-83723 SERIES I &amp; III</b> M83723 /1 - /8, /13, /14, /36 - /43, /48, /49, /65 - /78, /82 - /87, /91, /92, /95, /97, /98	<b>A</b>