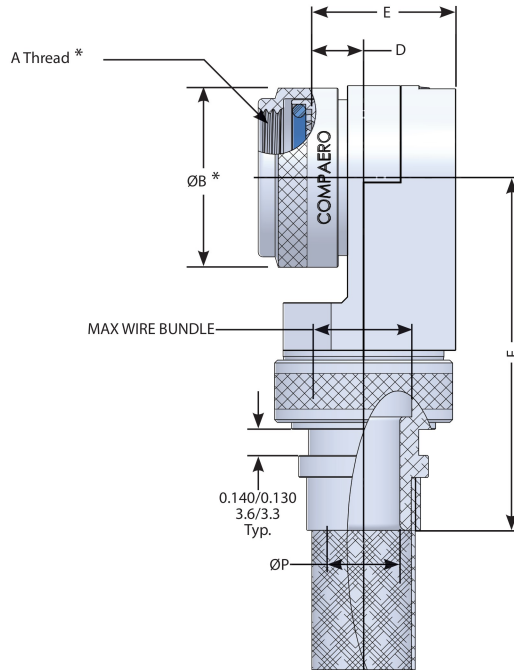


Seris 35- Shield Sock Shrink Boot Adapter,
Standard Rotatable



CP A 35 7 W - 12 03 - VG0 - 6

Compaero Identifier

Connector Interface
See Page 4 for Details

Series Identifier

Angle
7= Ultra-Low Profile Split 90°

Material & Finish
See Page 5 for details

Shield Length
Supplied in 1 Inch increments
-6 (6") as standard

Shrink Boot Option
Omit for no boot - See website for details

Cable Entry
See table 2

Shell Size
See table 1

LO-PRO SPLIT

Ultra Low Profile Split 90°Shield Sock Shrink Boot Adapter Series 35



Table 1 Shell Size

SHELL SIZE	F MAX		D REF.		E MAX		MAX WIRE BUNDLE	
	in	mm	in	mm	in	mm	in	mm
08/09	1.780	45.2	0.340	8.6	0.681	17.3	0.250	6.4
10/11	1.940	49.3	0.270	6.9	0.731	18.6	0.375	9.5
12/13	1.940	49.3	0.270	6.9	0.731	18.6	0.375	9.5
14/15	2.010	51.1	0.280	7.1	0.831	21.1	0.500	12.7
16/17	2.060	52.3	0.420	10.7	0.981	24.9	0.625	15.9
18/19	2.090	53.1	0.640	16.3	1.181	30.0	0.625	15.9
20/21	2.090	53.1	0.640	16.3	1.181	30.0	0.625	15.9
22/23	2.240	56.9	0.540	13.7	1.181	30.0	0.750	19.1
24/25	2.240	56.9	0.540	13.7	1.181	30.0	0.750	19.1

Table 2 Entry Size

ENTRY	ØP	
	in	mm
01	0.125	3.2
31	0.188	4.8
02	0.250	6.4
33	0.312	7.9
03	0.375	9.5
33	0.438	11.1
04	0.500	12.7
34	0.562	14.3
05	0.625	15.9
35	0.688	17.5
06	0.750	19.1

inches millimeters
Tolerance ±0.01±0.25

Table 3 Interface Data

A INTERFACE			
SHELL SIZE	A THREAD	ØB MAX	
		in	mm
08	1/2-20 UNF	0.69	17.6
10	5/8-24 UNEF	0.81	20.5
12	3/4-20 UNEF	0.94	24.0
14	7/8-20 UNEF	1.07	27.1
16	1-20 UNEF	1.24	31.6
18	1 1/16-18 UNEF	1.32	33.4
20	1 3/16-18 UNEF	1.44	36.6
22	1 5/16-18 UNEF	1.57	39.8
24	1 7/16-18 UNEF	1.69	43.0

F INTERFACE			
SHELL SIZE	A THREAD	ØB MAX	
		in	mm
08	7/16-28UNEF	0.66	16.8
10	9/16-24UNEF	0.80	20.3
12	11/16-24UNEF	0.92	23.4
14	13/16-20UNEF	1.06	26.8
16	15/16-20UNEF	1.18	30.0
18	1 1/16-18UNEF	1.31	33.3
20	1 3/16-18UNEF	1.44	36.5
22	1 5/16-18UNEF	1.56	39.7
24	1 7/16-18UNEF	1.69	42.9

H INTERFACE			
SHELL SIZE	A THREAD	ØB MAX	
		in	mm
09	M12x1.0	0.74	18.7
11	M15x1.0	0.86	21.9
13	M18x1.0	1.01	25.6
15	M22x1.0	1.13	28.8
17	M25x1.0	1.26	32.0
19	M28x1.0	1.39	35.2
21	M31x1.0	1.51	38.4
23	M34x1.0	1.64	41.6
25	M37x1.0	1.78	45.2